

MP18121

KEY	PART NO.	PART NAME	QTY	REMARKS
1	LG692545	CYLINDER BLOCK	1	(SUB FOR LG808442)
2	LG808534	BUSHING	1	
3	LG805101S	SEAL	1	(SUB FOR LG805101)
4	LG805103	SLEEVE	1	DOWEL
5	15H638	PIPE PLUG	1	1/8", OIL (CYLINDER BLOCK)
6	15H623	DRAIN PLUG	3	3/8", (A) OIL (PAN) (SUB FOR LG805048 OR LG690946)
7	AM125424	OIL FILTER	1	
8	LG808235	ADAPTER FITTING	1	
9	LG805449	LOCK WASHER	1	
10	LG805073	STUD	1	
11	LG805030	SCREW	1	
12	LG692063	GASKET	1	(SUB FOR LG805250)
13	LG807688	GASKET	1	BREATHER
14	LG692095	BREATHER	1	(SUB FOR LG807795)
15	LG805751	SCREW	1	
16	LG805696	SCREW	1	
17	19M7897	SCREW	4	M8 X 35
18	LG690873	STRUCTURAL TUBE	1	BREATHER, (SUB FOR LG805906)
19	LG690686	PLATE	1	BREATHER, (SUB FOR LG805197)
20	LG691550	RETAINER	1	(A) (SUB FOR LG806096)
21	LG690680	SEAL	1	(A) GOVERNOR, (SUB FOR LG805054)
22	LG690701	BUSHING	1	(A) GOVERNOR, (SUB FOR LG805412)
23	LG690702	BUSHING	1	GOVERNOR, (SUB FOR LG805413)
23	M144914	BUSHING	1	
24	LG690899	CRANK	1	GOVERNOR, (SUB FOR LG807596)
24	AM131177	CRANK	1	(A) (USE WITH MIA11613) (INCLUDES M144914)
25	14M7298	FLANGE NUT	4	M8
26	LG805049S	SEAL	2	(A) (SUB FOR LG805049)
27	LG690704	WASHER	1	(A) (SUB FOR LG805416)
28	MIU12287	GASKET	1	NLA; ORDER MIU11265; SUB FOR LG806190, LG691684; Crankcase
28	MIU11265	GASKET	1	NLA; ORDER MIU13345
28	MIU13345	GASKET	1	NLA; ORDER MIU14235
28	MIU14235	GASKET	1	
29	LG692154	SEAL	1	(A) (SUB FOR LG806191)

<https://www.ebooklibonline.com>

Hello dear friend!

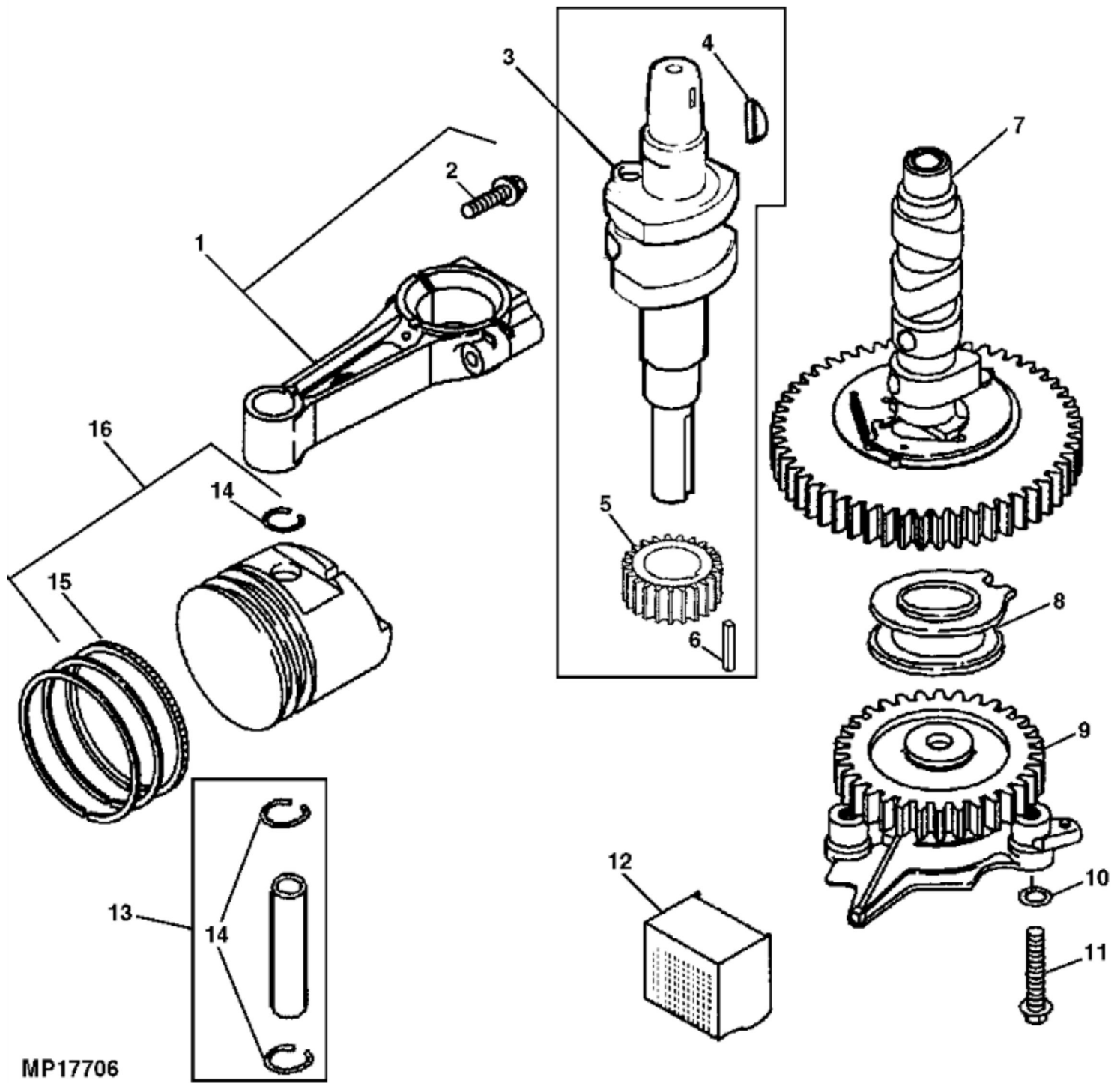
Thank you very much for reading.

Enter the link into your browser.

The full manual is available for immediate download.

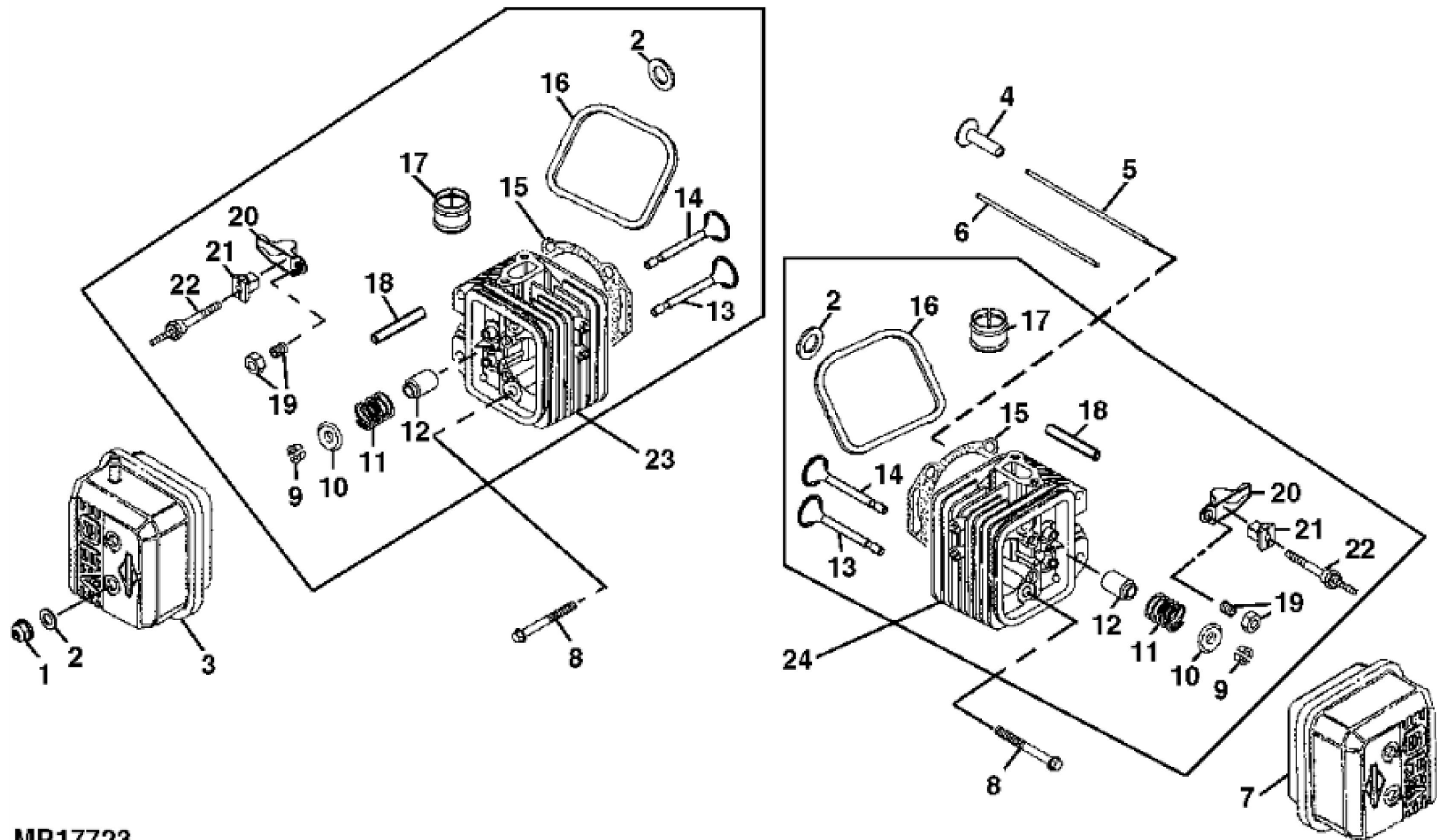
<https://www.ebooklibonline.com>

KEY	PART NO.	PART NAME	QTY	REMARKS
30	LG808504	RESERVOIR	1	ENGINE SUMP, (SUB FOR LG807638)
30	MIA11613	CRANKCASE	1	(INCLUDES PARTS MARKED (A)) (ALSO INCLUDES (2) LG690681 AND 19M7077 AND (2) 19M7299)
31	M132015	THREADED NIPPLE	1	
32	M126875	CAP	1	OIL DRAIN
33	LG692053	SEAL	1	(SUB FOR LG805011)
34	LG270920	SEAL	1	
35	LG692093	STRUCTURAL TUBE	1	OIL FILL, (SUB FOR LG807501)
36	LG805317	SCREW	2	
37	LG692101	DIPSTICK	1	(SUB FOR LG807516)
38	LG491657S	PRESSURE SWITCH	1	OIL, (SUB FOR LG491657)
..	LG808158	LABEL KIT	1	ENGINE
..	AM125687	GASOLINE ENGINE	1	(COMPLETE) (SUB AM130456)
..	AM130456	SHORT BLOCK ASSEMBLY	1	



MP17706

KEY	PART NO.	PART NAME	QTY	REMARKS
1	LG807900S	CONNECTING ROD	2	STD, (SUB FOR LG807900)
1	LG807803	CONNECTING ROD	2	.50MM (.020") US, (NLA)
2	LG690698	SCREW	4	(SUB FOR LG805395)
3	MIU11092	CRANKSHAFT	1	(COMPLETE) (SUB FOR LG692172)
4	M145150	SHAFT KEY	1	(SUB FOR LG806066)
5	LG691530	GEAR	1	TIMING, (SUB FOR LG805984)
6	LG691639	KEY	1	TIMING GEAR, (SUB FOR LG94196)
7	LG691557	GEAR	1	CAM, (SUB FOR LG807542)
8	LG690689	SPOOL	1	GOVERNOR, (SUB FOR LG805313)
9	LG693186	OIL PUMP	1	(SUB FOR LG807546) (ORDER MIA11613)
10	LG690681	SEAL	2	SUB FOR LG805058
11	LG691492	CAP SCREW	2	(SUB FOR LG805057)
12	LG690878	SCREEN	1	OIL PUMP, (SUB FOR LG805964)
13	LG807886	PISTON PIN	2	
14	LG805099	LOCK	4	PISTON PIN (NLA)
14	LG690975	LOCK	4	PISTON PIN
15	LG807889	PISTON RING KIT	2	STD, (SUB (2) MIU12116)
15	MIU12116	PISTON RING KIT	2	
15	MIU12117	PISTON RING KIT	2	.50MM (.020') OS, (SUB FOR (2) LG807995)
16	MIA11406	PISTON	2	STANDARD, (SUB FOR (2) LG808326)
16	MIA11407	PISTON	2	.50MM (.020') OS, (SUB FOR (2) LG808337)



MP17723



Suggest:

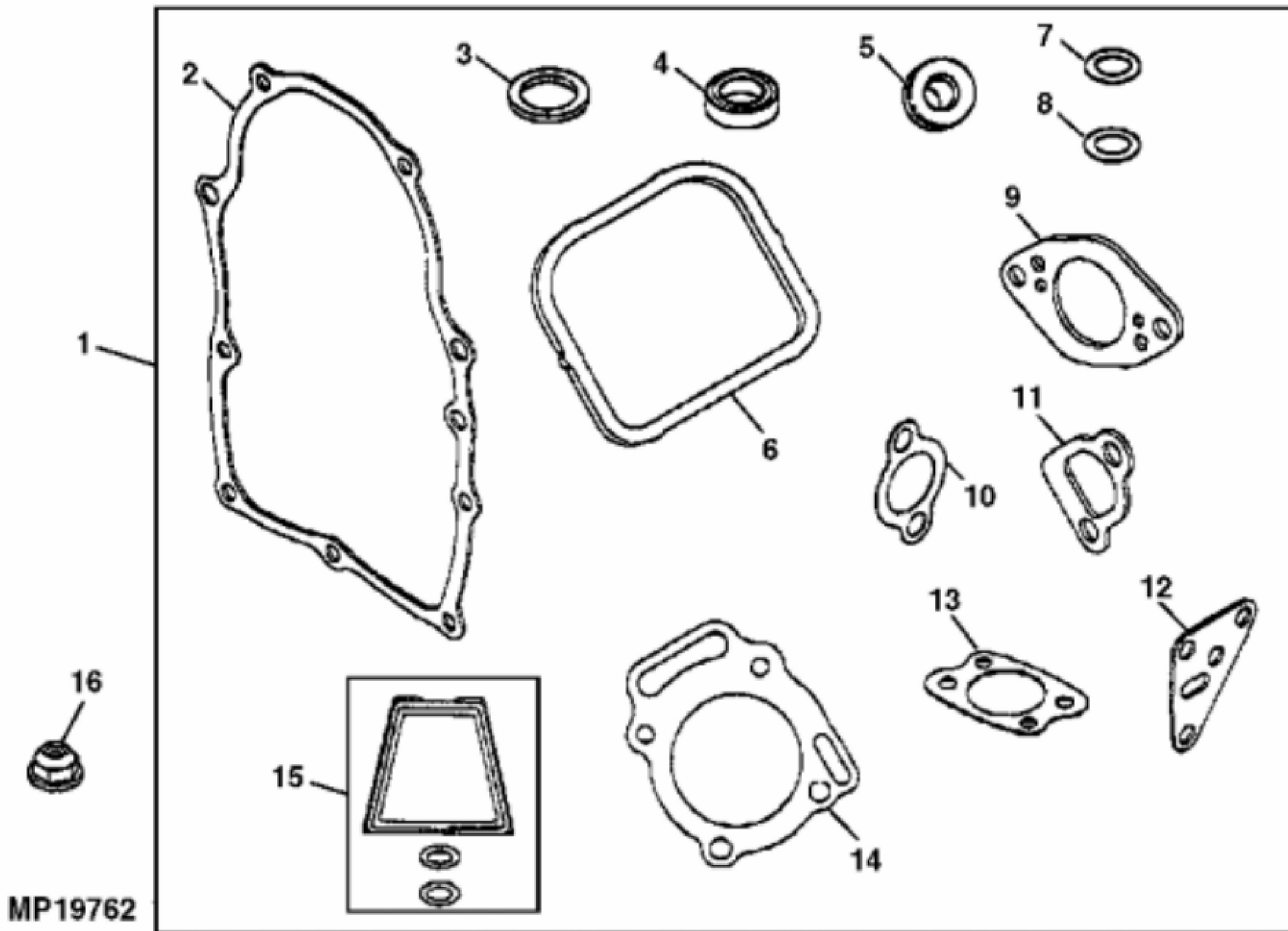
For more complete manuals. Please go to the home page.

<https://www.ebooklibonline.com>

If the above button click is invalid. Please download this document first, and then click the above link to download the complete manual.

Thank you so much for reading

KEY	PART NO.	PART NAME	QTY	REMARKS
1	LG692055	LOCK NUT	4	(SUB FOR LG805019)
2	LG691766	WASHER	4	(SUB FOR LG805420)
3	LG691558	COVER	1	(SUB FOR LG807665)
4	LG690977	TAPPET	4	VALVE, (SUB FOR LG262679)
5	LG691836	PUSH ROD	2	INTAKE (STEEL) (SUB FOR LG805352)
6	LG691758	PUSH ROD	2	EXHAUST (ALUMINUM) (SUB FOR LG805617)
7	LG691494	COVER	1	(W/FUEL PUMP VACUUM HOSE FITTING) (SUB FOR LG805100)
8	LG692059	CAP SCREW	4	(SUB FOR LG805097)
9	LG807683	RETAINER	4	VALVE
10	LG692058	RETAINER	4	VALVE, (SUB FOR LG805092)
11	LG692084	SPRING	4	VALVE, (SUB FOR LG805937)
12	LG691963	SEAL	4	VALVE, (SUB FOR LG805094)
13	LG807681	EXHAUST VALVE	2	
14	LG807680	INTAKE VALVE	2	
15	UC10273	GASKET	1	SUB FOR LG690888
16	LG806039S	GASKET	2	ROCKER COVER, (SUB FOR LG806039)
17	LG805083	CYLINDER LINER	2	PORT
18	LG692057	GUIDE	4	VALVE, (SUB FOR LG805084)
19	LG807623	ADJUSTER	4	(W/NUT)
20	LG691543	ROCKER ARM	4	(SUB FOR LG806036)
21	MIU11035	ROCKER ARM	4	PIVOT, (SUB FOR LG806038 OR LG690973)
22	LG691544	STUD	4	ROCKER ARM, (SUB FOR LG806037)
23	LG808383	CYLINDER HEAD	1	RH
24	LG808384	CYLINDER HEAD	1	LH



MP19762

<https://www.ebooklibonline.com>

Hello dear friend!

Thank you very much for reading.

Enter the link into your browser.

The full manual is available for immediate download.

<https://www.ebooklibonline.com>