

1. 56453

KEY	PART NO.	PART NAME	QTY	Engine Serial No.	REMARKS
1	AR55984	PISTON	1	____-XXXXXX	(SUB AR77762)
1	AR77762	PISTON	1	XXXXXX-____	
2	R51731	PISTON PIN	3		(SUB R125754)
3	U16538	SNAP RING	6		(SUB FOR M41029)
4	AR55759	PISTON RING KIT	3		(SET OF 3 RINGS)
5	AR55978	CONNECTING ROD	3		(SUB RE21076)
6	R55647	BUSHING	3		
7	R74194	SCREW	6		(SUB FOR T20009)
7	R80033	CAP SCREW	6		(USE WITH RE21076)
8	AT21138	BEARING	3		STD (2 HALVES)
8	AT21122	BEARING	3		0.05MM (.002") US (2 HALVES)
8	AT21124	BEARING	3		0.25MM (.010") US (2 HALVES)
8	AT21126	BEARING	3		0.50MM (.020") US (2 HALVES)
8	AT21128	BEARING	3		0.76MM (.030") US (2 HALVES)

<https://www.ebooklibonline.com>

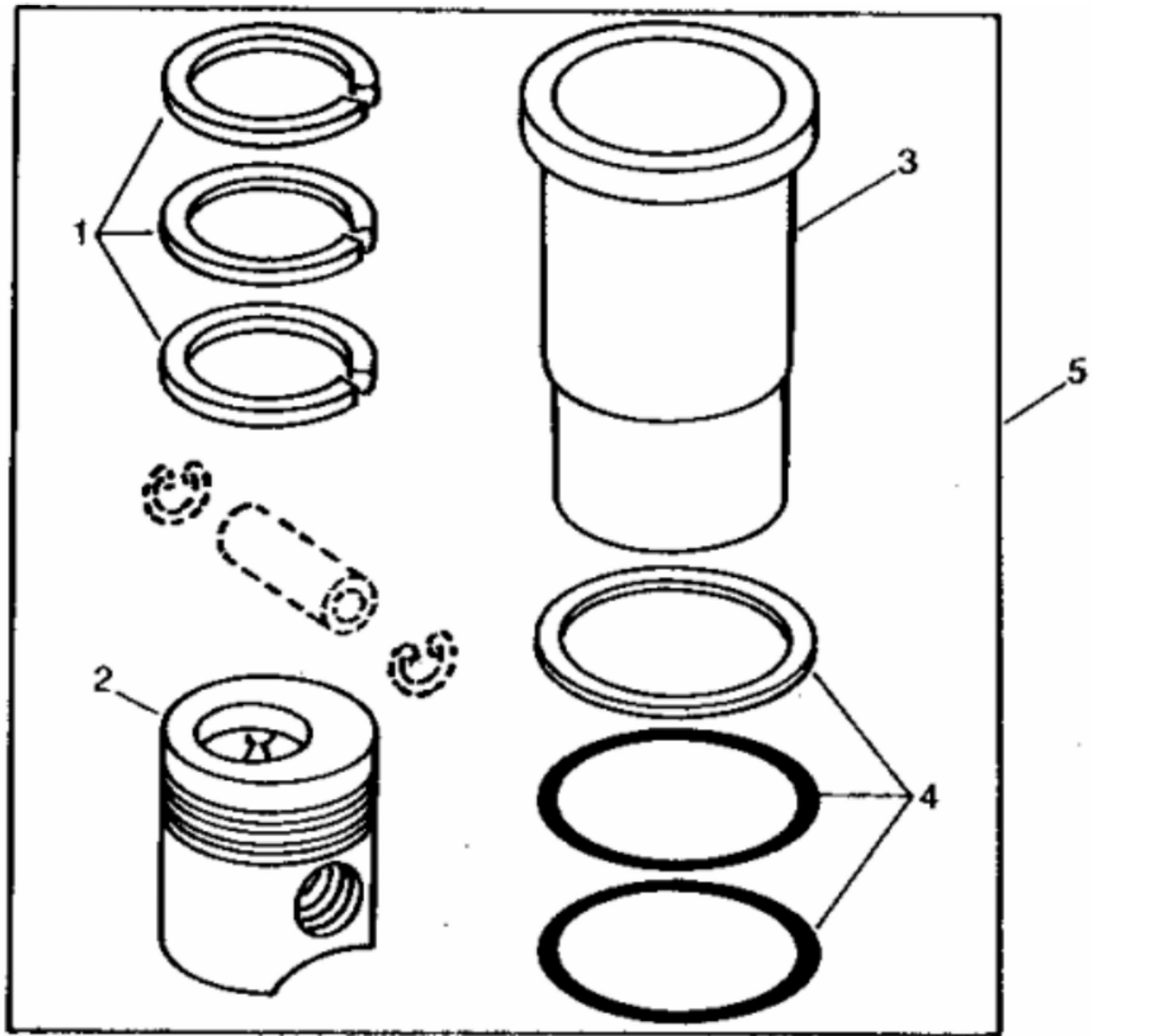
Hello dear friend!

Thank you very much for reading.

Enter the link into your browser.

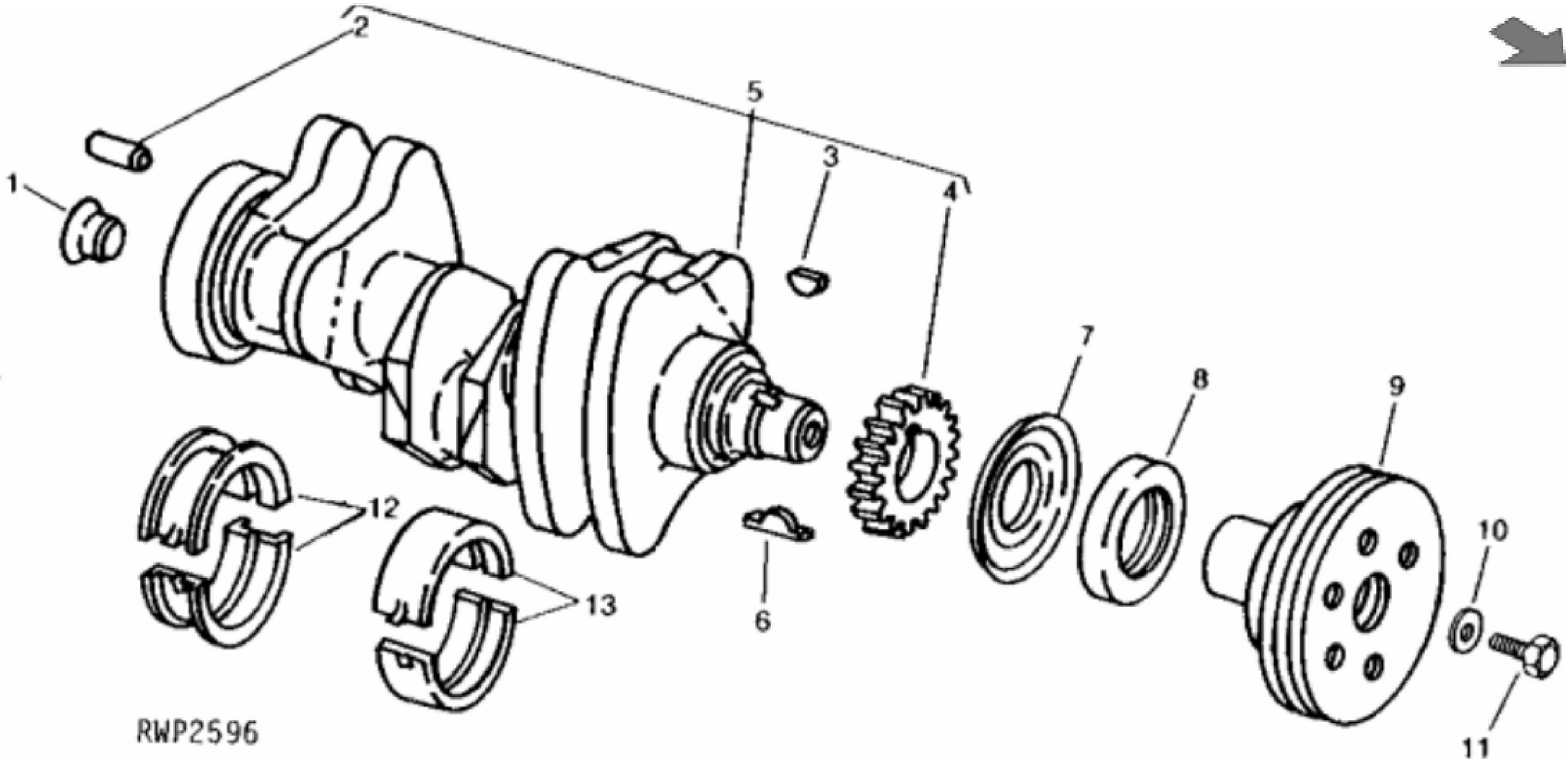
The full manual is available for immediate download.

<https://www.ebooklibonline.com>



RWP2613

KEY	PART NO.	PART NAME	QTY	Engine Serial No.	REMARKS	
1	AR55759	PISTON RING KIT	3			
2	AR55984	PISTON	3	____-XXXXXX	(WITH INSERT) (SUB AR77762)	
2	AR77762	PISTON	3	XXXXXX-____	(WITH INSERT) (MARKED B) STD	
2	AR87736	PISTON	3		(WITH INSERT) (MARKED H) HIGH	
3	T32343	CYLINDER LINER	3			
4	AR71618	HYDRAULIC CYLINDER KIT	3			
5	AR71592	PISTON-LINER KIT	3	____-XXXXXX	(SUB AR78041) (INCLUDES AR55984)	
5	AR78041	PISTON-LINER KIT	3	XXXXXX-____	(SUB FOR RE19895) (INCLUDES AR77762)	
5	AR90550	PISTON-LINER KIT	3		HIGH PISTON AND LINER, (INCLUDES AR87736)	



RWP2596



Suggest:

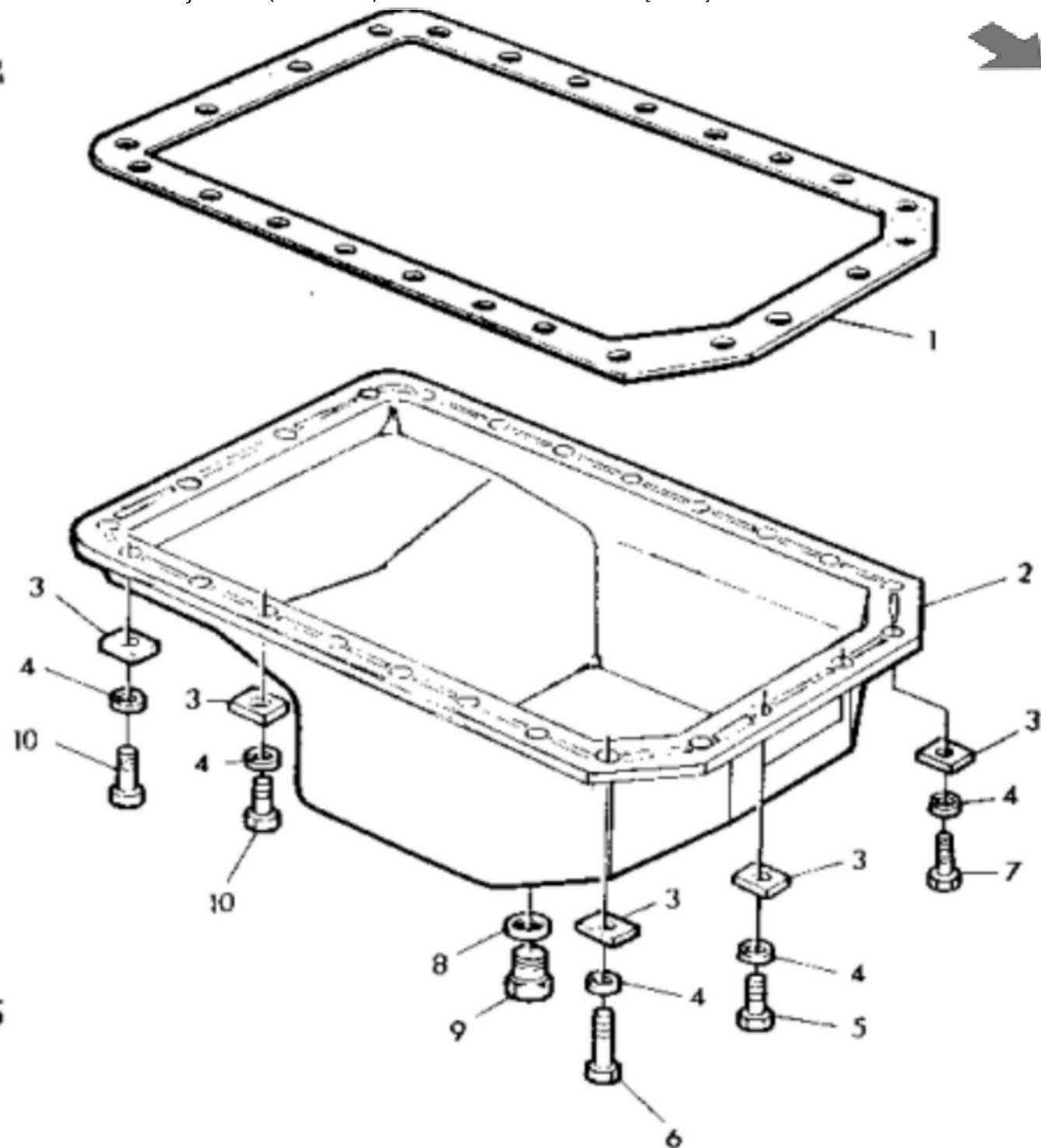
For more complete manuals. Please go to the home page.

<https://www.ebooklibonline.com>

If the above button click is invalid. Please download this document first, and then click the above link to download the complete manual.

Thank you so much for reading

KEY	PART NO.	PART NAME	QTY	REMARKS
1	T20445	PLUG	1	(WITHOUT REVERSE AND HI-LO)
2	T26565	DOWEL PIN	1	
3	26H72	SHAFT KEY	1	1/8" X 5/8"
4	T20094	HELICAL GEAR	1	
5	AT18031	CRANKSHAFT	1	(SUB RE46896)
6	T23604	SHAFT KEY	1	
7	T20046	OIL SLINGER	1	
8	AR67942	SEAL	1	
9	R59915	PULLEY	1	(SUB FOR T25366)
10	T20217	WASHER	1	
11	19H1721	CAP SCREW	1	1/2" X 1-1/2"
12	AT21139	BEARING	1	STD (2 HALVES)
12	AT21130	BEARING	1	0.05MM (.002") US, REAR (2 HALVES)
12	AT21132	BEARING	1	0.25MM (.010") US, REAR (2 HALVES)
12	AT21134	BEARING	1	0.50MM (.020") US, REAR (2 HALVES)
12	AT21136	BEARING	1	0.76MM (.030") US, REAR (2 HALVES)
13	AT21140	BEARING	3	STD (2 HALVES)
13	AT21108	BEARING	3	0.05MM (.002") US, PLAIN (2 HALVES)
13	AT21110	BEARING	3	0.25MM (.010") US, PLAIN (2 HALVES)
13	AT21112	BEARING	3	0.50MM (.020") US, PLAIN (2 HALVES)
13	AT21114	BEARING	3	0.76MM (.030") US, PLAIN (2 HALVES)



L. 59705

<https://www.ebooklibonline.com>

Hello dear friend!

Thank you very much for reading.

Enter the link into your browser.

The full manual is available for immediate download.

<https://www.ebooklibonline.com>