

KEY	PART NO.	PART NAME	QTY	Engine Serial No.	REMARKS
1	R56463	O-RING	1		(SUB FOR R495R, THIS APPLICATION)
2	R60890	LINE	1		
3	R40791	CLAMP	1		
4	24H1685	WASHER	1		11/32" X 47/64" X 0.083"
5	19H1813	CAP SCREW	1		5/16" X 5/8"
6	AT18016	VALVE COVER	1		(SUB RE44202 AND (6) RE32140)
7	T24151	CLAMP	1	____-XXXXXX	
8	AR45530	SCREW WITH WASHER	6		(SUB AR103811)
9	T20111	GASKET	1		(SUB R75729) (ALSO ORDER (6) AR100124)
10	A3910R	PLUG	2		(SUB N102039)
11	AR70582	CYLINDER HEAD	1		(MARKED R58685) (SUB FOR AR70583) (SUB RE56309)
12	R97778	VALVE SEAT INSERT	3		(SUB FOR CD13979)
13	R80241	GASKET	1		(SUB FOR R59447) (SUB R97356)
14	T20168	WASHER	14		
15	R53223	CAP SCREW	14		
16	RE51774	SENSOR	1		(SUB RE51774)

<https://www.ebooklibonline.com>

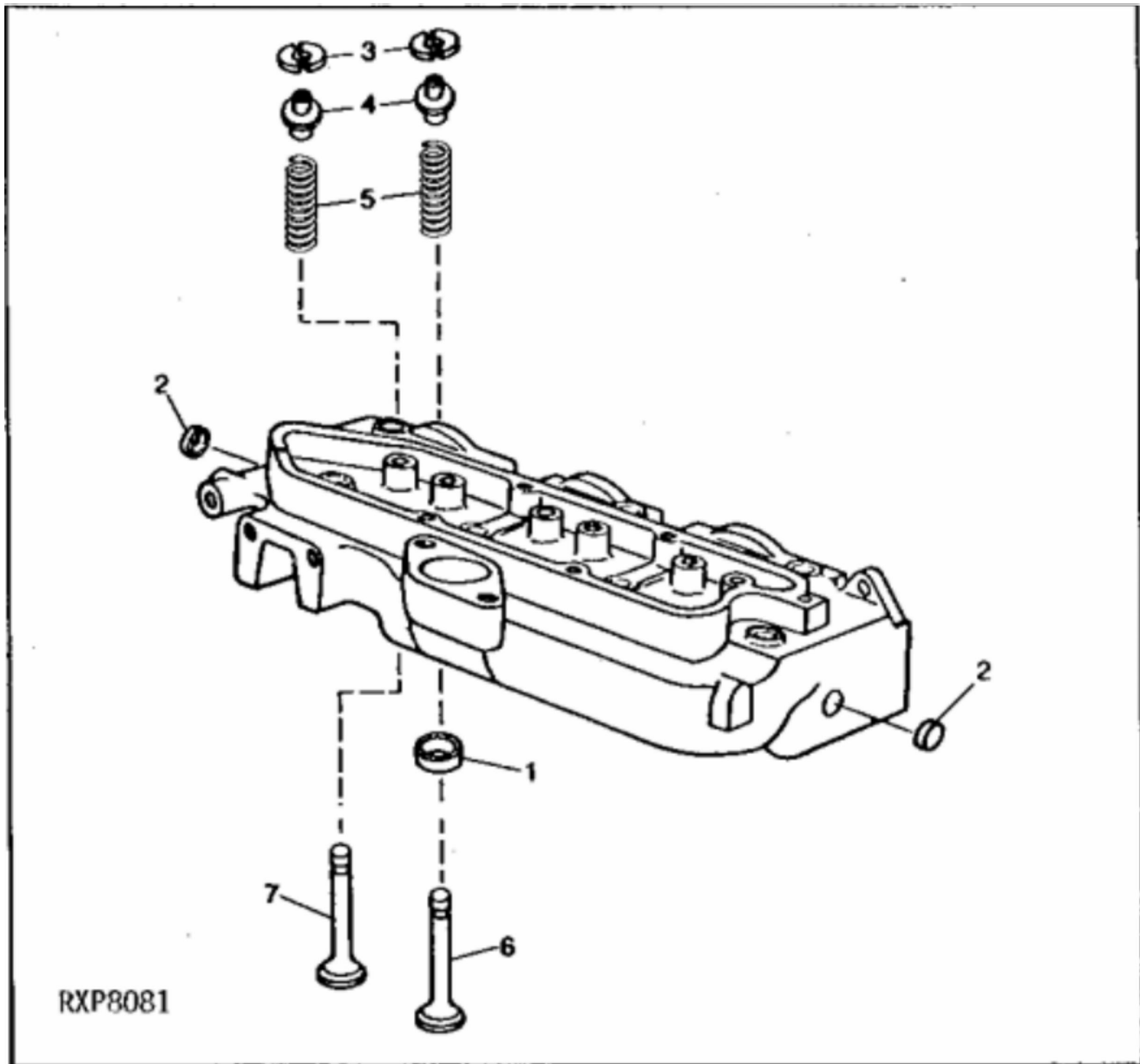
Hello dear friend!

Thank you very much for reading.

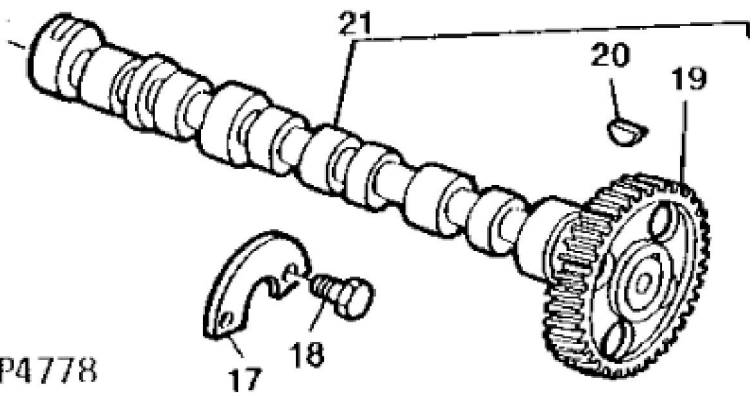
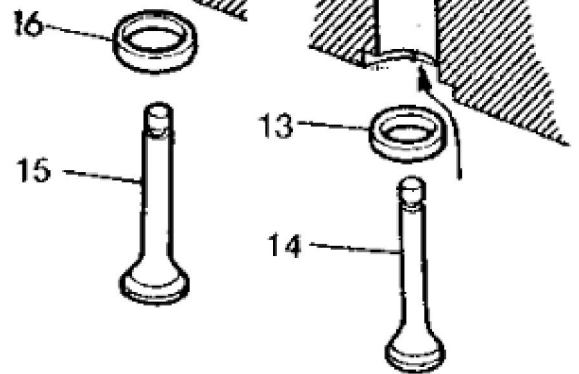
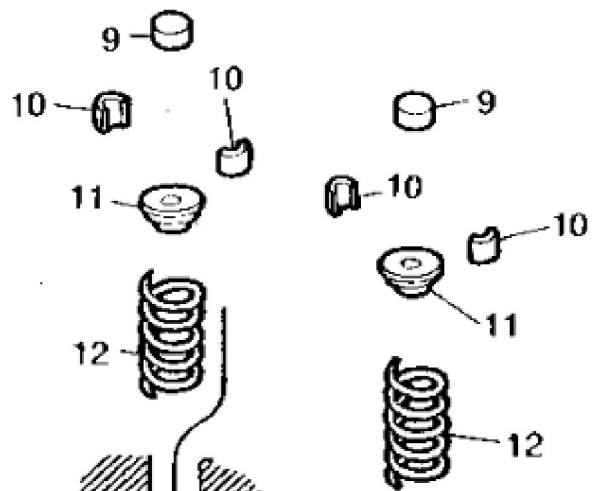
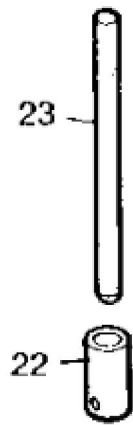
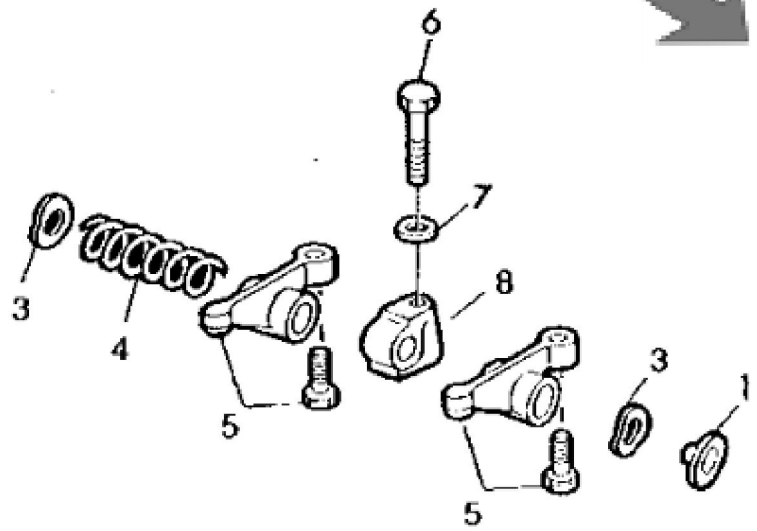
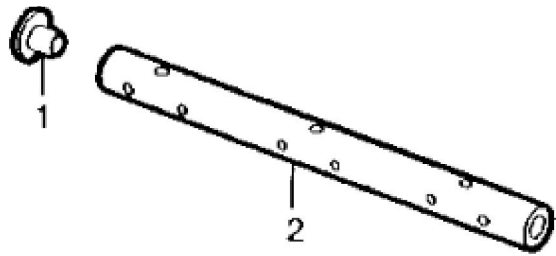
Enter the link into your browser.

The full manual is available for immediate download.

<https://www.ebooklibonline.com>



KEY	PART NO.	PART NAME	QTY	REMARKS	
1	R51734	VALVE SEAT INSERT	3		
2	CD16284	PLUG	2		
3	T20077	RETAINER	12		
4	R41412	CAP	6	(SUB RE11410)	
5	R26125	SPRING	6		
6	R79624	EXHAUST VALVE	3		
7	R79623	INTAKE VALVE	3		
8	AR70583	CYLINDER HEAD	1	(MARKED R58686) (SUB RE56309)	



RWP4778



Suggest:

For more complete manuals. Please go to the home page.

<https://www.ebooklibonline.com>

If the above button click is invalid. Please download this document first, and then click the above link to download the complete manual.

Thank you so much for reading

KEY	PART NO.	PART NAME	QTY	REMARKS
1	R54565	PLUG	2	
2	R54985	ROCKER ARM SHAFT	1	(SUB DD12119)
3	T20316	WASHER	2	
4	T20314	SPRING	2	
5	RE31973	ROCKER ARM	6	(SUB FOR AT31250, AR103769 OR RE19031)
6	19H1733	CAP SCREW	3	3/8" X 2-1/2"
7	R42729	WASHER	3	
8	T20315	SUPPORT	3	
9	T20129	CAP	6	
10	T20077	RETAINER	12	
11	R41412	CAP	6	(SUB FOR T20176) (SUB RE11410)
12	R26125	SPRING	6	
13	R97778	VALVE SEAT INSERT	3	(SUB FOR CD13979)
14	R52252	EXHAUST VALVE	3	STD, (SUB R79624)
14	R57333	EXHAUST VALVE	1	0.076MM (.003") OS STEM, (SUB R79625)
14	R57335	EXHAUST VALVE	1	0.381MM (.015") OS STEM, (SUB R79626)
14	R57337	EXHAUST VALVE	1	0.762MM (.030") OS STEM, (SUB R79627)
15	R52251	INTAKE VALVE	3	STD, (SUB R79623)
15	R57332	INTAKE VALVE	1	0.076MM (.003") OS STEM, (SUB R79628)
15	R57334	INTAKE VALVE	1	0.381MM (.015") OS STEM, (SUB R79629)
15	R57336	INTAKE VALVE	1	0.762MM (.030") OS STEM, (SUB R79630)
16	CD14725	VALVE SEAT INSERT	3	(SUB R97779)
17	T20072	PLATE	1	
18	19H1731	CAP SCREW	2	3/8" X 1"
19	T20070	HELICAL GEAR	1	
20	T28041	SHAFT KEY	1	
21	AR79622	CAMSHAFT	1	(SUB R119707)
22	T20073	TAPPET	6	
23	R82896	PUSH ROD	6	(SUB FOR T20310)

<https://www.ebooklibonline.com>

Hello dear friend!

Thank you very much for reading.

Enter the link into your browser.

The full manual is available for immediate download.

<https://www.ebooklibonline.com>