

LV291767

KEY	PART NO.	PART NAME	QTY	REMARKS
1	MIA880914	CYLINDER BLOCK	1	
2	CH10314	PLUG	1	
3	M809565	DRAIN PLUG	1	
4	CH10335	PLUG	3	
5	MIA880554	BEARING	4	
5	MIA880550	BEARING	4	(Under Sized Part (U.S =0.25))
6	15H562	PIPE PLUG	1	1"
7	M801189	BOLT	8	
8	MIU800573	CAMSHAFT	1	
9	M87801	PLUG	2	
10	30M7023	PLUG	6	
11	M802255	PIN	4	
12	M806440	ENGINE CYLINDER HEAD GASKET	1	
13	M800974	PIPE	2	
14	MIA880555	BEARING	2	
14	MIA882809	BEARING KIT	1	(Over Sized Part (O.S = 0.25))
15	MIU800797	SHAFT	1	
16	T110724	CHECK VALVE	3	
17	T110725	NOZZLE	3	
18	CH15575	PIN	3	
19	CH18079	SPRING PIN	2	
20	19M8317	SCREW	3	M8 X 40
21	M801186	BOLT	14	
22	MIA12712	DIESEL ENGINE	1	MARKED 3TNV84T-BXJT4; Not Illustrated

**<https://www.ebooklibonline.com>**

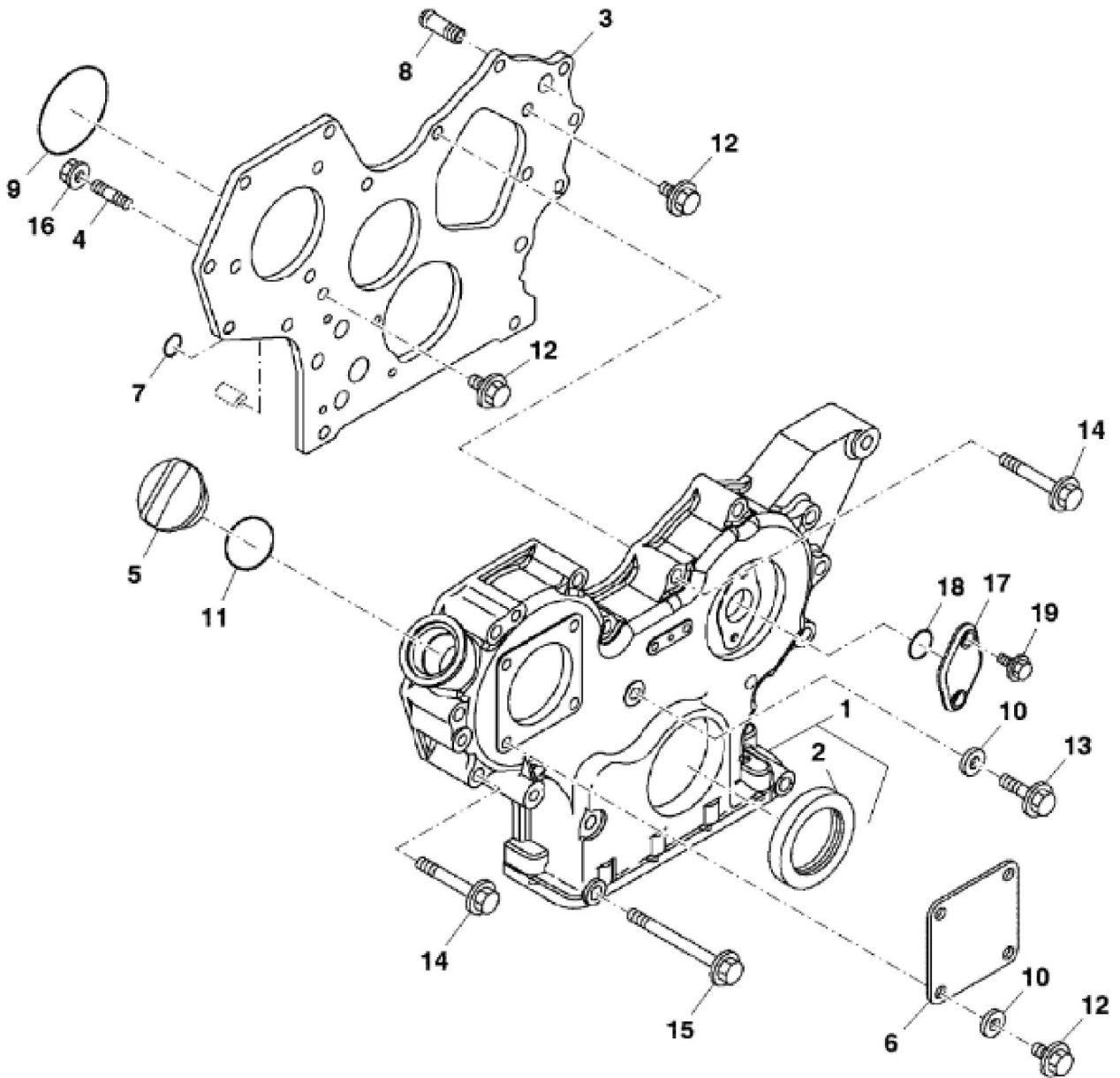
Hello dear friend!

Thank you very much for reading.

Enter the link into your browser.

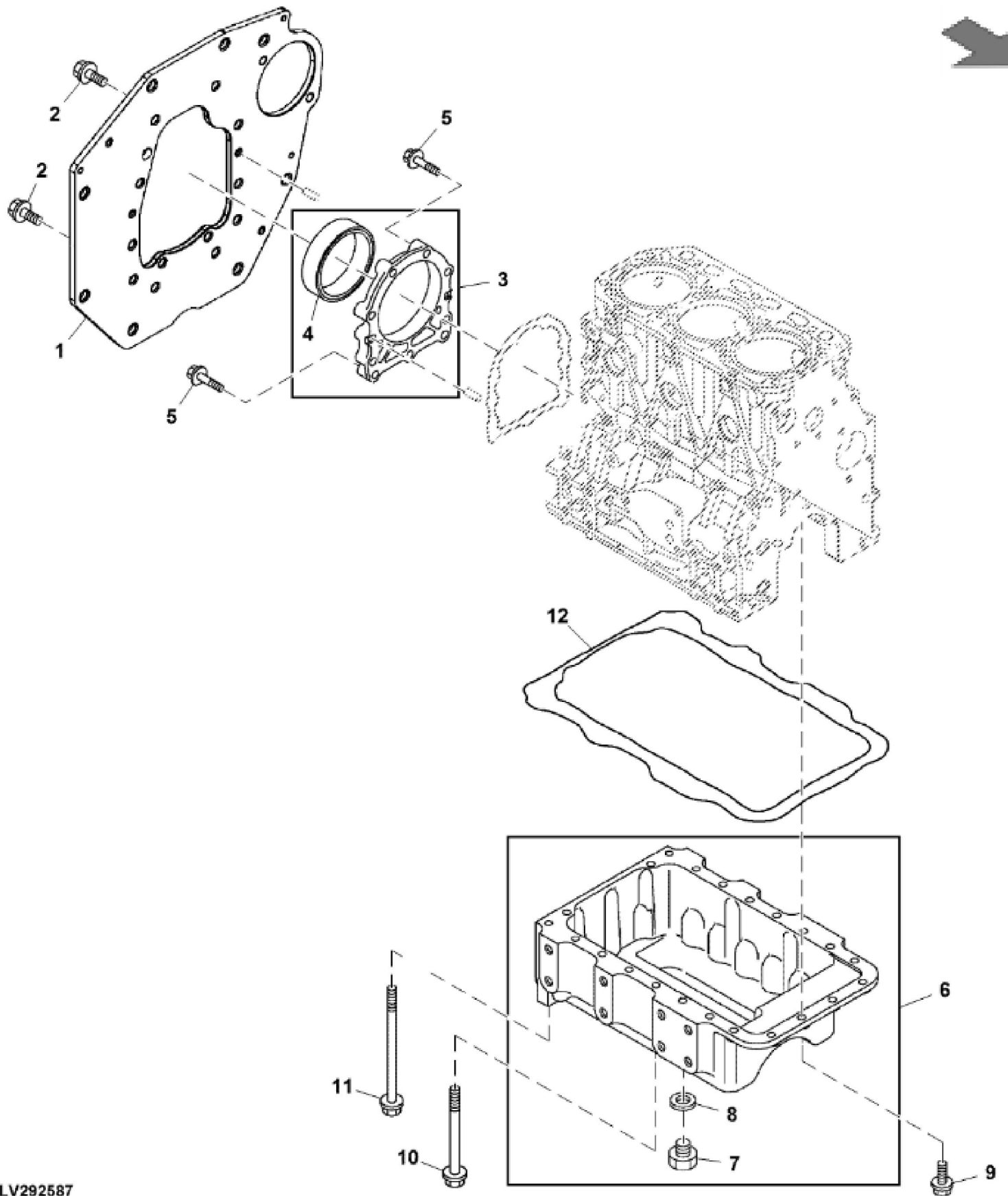
The full manual is available for immediate download.

**<https://www.ebooklibonline.com>**



LV292586

KEY	PART NO.	PART NAME	QTY	REMARKS	
1	MIA881011	GEAR CASE	1		
2	M811078	SEAL	1		
3	MIU800906	FLANGE	1		
4	MIU800440	STUD	3		
5	M805710	CAP	1		
6	CH18096	COVER	1		
7	M810185	O-RING	2		
8	T110730	UNIVERSAL JOINT	1		
9	CH16940	O-RING	1		
10	M803523	WASHER	5		
11	M805711	PACKING	1		
12	19M7865	SCREW	7	M8 X 16	
13	19M7868	SCREW	1	M8 X 30	
14	19M7979	SCREW	12	M8 X 55	
15	CH19136	BOLT	3		
16	14M7298	FLANGE NUT	3	M8, SUB FOR M810186	
17	MIU800476	COVER	1		
18	CH13526	PACKING	1		
19	19M7775	SCREW	2	M6 X 16	



LV292587



**Suggest:**

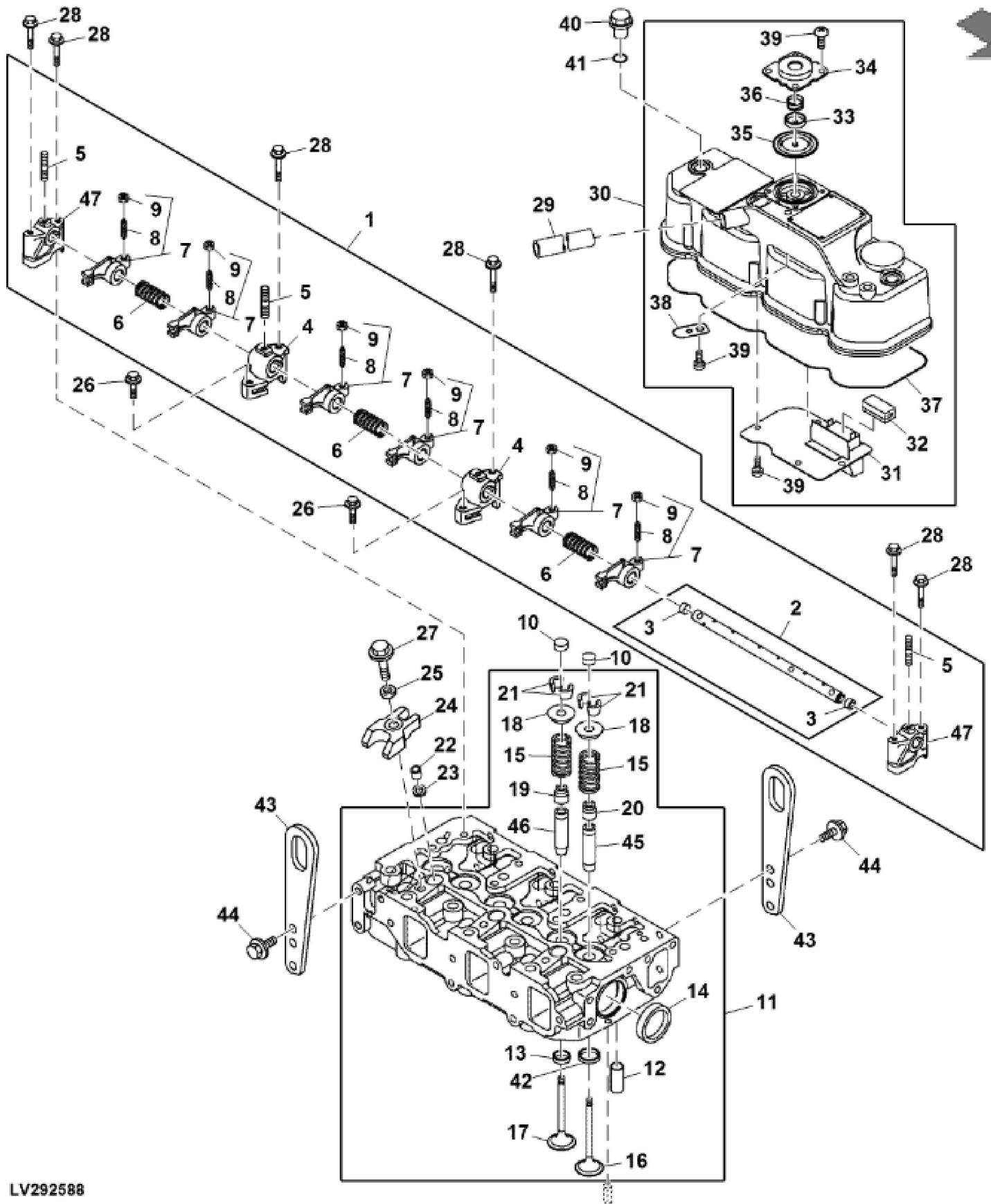
**For more complete manuals. Please go to the home page.**

**<https://www.ebooklibonline.com>**

**If the above button click is invalid. Please download this document first, and then click the above link to download the complete manual.**

**Thank you so much for reading**

KEY	PART NO.	PART NAME	QTY	REMARKS	
1	MIU803056	FLANGE	1		
2	M800011	BOLT	8		
3	AM875375	CASE	1		
4	M805278	SEAL	1		
5	M808308	BOLT	9		
6	AM880870	OIL PAN	1		
7	T111565	PLUG	1		
8	M811568	WASHER	1		
9	CH19085	BOLT	6		
10	CH19136	BOLT	12		
11	T111562	BOLT	4		
12	M64850	SEALANT	1		



**<https://www.ebooklibonline.com>**

Hello dear friend!

Thank you very much for reading.

Enter the link into your browser.

The full manual is available for immediate download.

**<https://www.ebooklibonline.com>**