

| KEY | PART NO. | PART NAME | QTY | Engine Serial No. | REMARKS |
|-----|----------|-----------------------------|-----|-------------------|---|
| 1 | R495R | O-RING | 1 | | |
| 2 | R40791 | CLAMP | 1 | | (SUB FOR A4656R) |
| 3 | T20074 | TUBE | 1 | | |
| 4 | 24H1685 | WASHER | 1 | | 11/32" X 47/64" X 0.083" |
| 5 | T24151 | CLAMP | 2 | ____-017245 | |
| 5 | T24151 | CLAMP | 1 | 017246-____ | |
| 6 | 19H1813 | CAP SCREW | 1 | | 5/16" X 5/8" |
| 7 | AR45530 | SCREW WITH WASHER | 8 | ____-XXXXXX | (SUB FOR AR27702) (SUB AR103811) |
| 7 | AR100124 | SCREW WITH WASHER | 8 | XXXXXX-____ | |
| 8 | AT18015 | VALVE COVER | 1 | | |
| 9 | T20075 | GASKET | 1 | ____-XXXXXX | (SUB R73521 AND (8) AR100124) |
| 9 | R73521 | GASKET | 1 | XXXXXX-____ | (SUB FOR AR100596) |
| 10A | RE35279 | CYLINDER HEAD | 1 | | (DIESEL) (MARKED T24756 OR R54560) (SUB FOR AT21801 OR AR62452) (SUB RE56308) |
| 10B | AT21334 | CYLINDER HEAD | 1 | | (GASOLINE) (MARKED T19973) |
| 11 | A3910R | PLUG | 2 | | |
| 12 | 15H559 | PIPE PLUG | 1 | ____-082876 | 1/4", (DIESEL) |
| 13 | R98461 | ENGINE CYLINDER HEAD GASKET | 1 | | (SUB FOR T20040, R59448 OR R52790) |
| 14 | T20183 | CAP SCREW | 18 | | (DIESEL) |
| 14 | R85363 | CAP SCREW | 18 | | (DIESEL) (USE WITH RE19855) |
| 14 | T20182 | CAP SCREW | 14 | | (GASOLINE) (SUB R85363) |
| 14 | T20184 | BOLT | 4 | | (GASOLINE) |
| 15 | T20168 | WASHER | 18 | | (SUB FOR M2834T) |

<https://www.ebooklibonline.com>

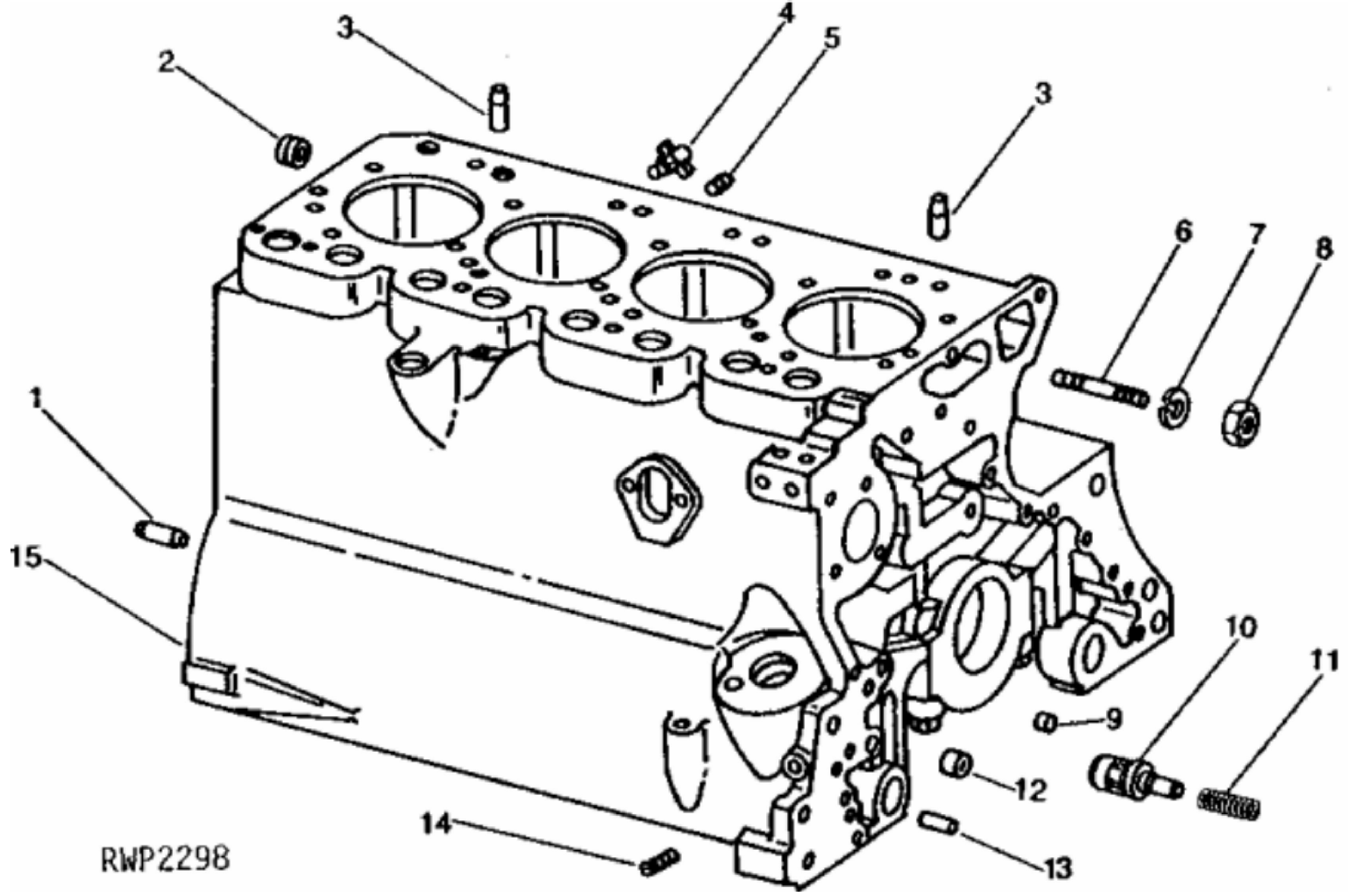
Hello dear friend!

Thank you very much for reading.

Enter the link into your browser.

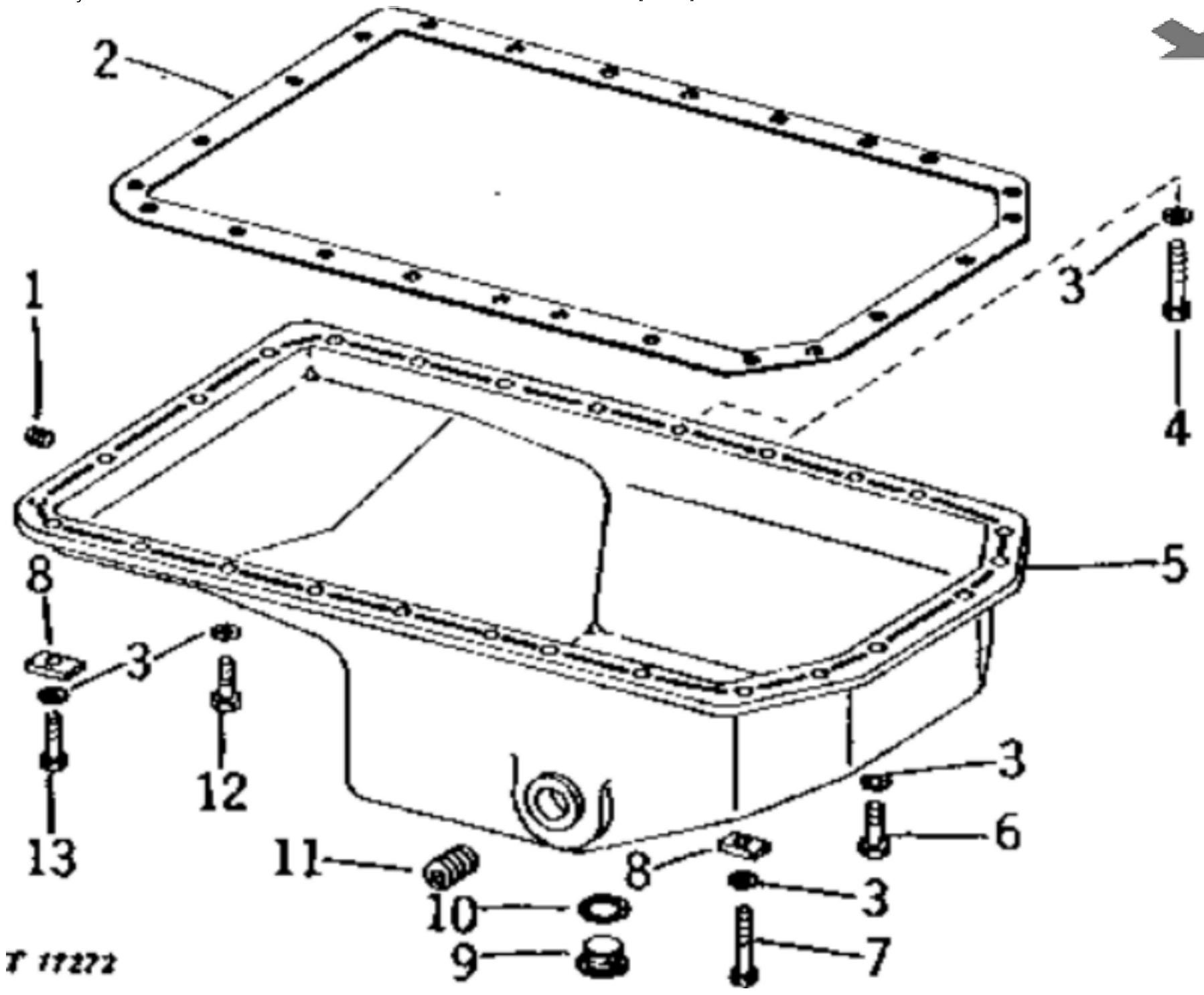
The full manual is available for immediate download.

<https://www.ebooklibonline.com>



RWP2298

| KEY | PART NO. | PART NAME | QTY | Engine Serial No. | REMARKS |
|-----|----------|-------------------------|-----|-------------------|---|
| 1 | R48685 | DOWEL PIN | 2 | | (SUB FOR A120R) |
| 2 | 15H562 | PIPE PLUG | 1 | | 1" |
| 3 | R26241 | DOWEL PIN | 2 | | |
| 4 | AT13740 | DRAIN VALVE | 1 | | (LESS ENGINE COOLANT HEATER) (SUB FOR AT27653) |
| 4 | T29381 | HOSE FITTING | 1 | | (ENGINE COOLANT HEATER) (SUB 15H198 AND T29388) |
| 5 | 15H275 | PIPE PLUG | 1 | | 1/4", (LESS ENGINE COOLANT HEATER) |
| 5 | T29381 | HOSE FITTING | 1 | | (ENGINE COOLANT HEATER) (SUB 15H198 AND T29388) |
| 6 | T33279 | STUD | 2 | | TIMING GEAR COVER, (SUB FOR T20173) |
| 6 | T25701 | STUD | 1 | | WATER PUMP |
| 7 | 12H304 | LOCK WASHER | 3 | | 3/8" |
| 8 | 14H1076 | NUT | 3 | | 3/8" |
| 9 | T18891 | PLUG | 2 | 078483-XXXXXX | |
| 9 | T18891 | PLUG | 1 | XXXXXX-____ | |
| 10 | R73139 | FLOW CONTROL HYD. VALVE | 1 | XXXXXX-____ | |
| 11 | R46625 | SPRING | 1 | XXXXXX-____ | |
| 12 | R26493 | BUSHING | 1 | | |
| 13 | R26650 | DOWEL PIN | 2 | | |
| 14 | 15H255 | PIPE PLUG | 1 | 022937-____ | 3/8", (DIESEL) |
| 14 | 15H255 | PIPE PLUG | 1 | 023759-____ | 3/8", (GASOLINE) |
| 15 | AR64725 | CYLINDER BLOCK | 1 | ____-XXXXXX | (DIESEL) (MARKED T24961, T26933, T32342 OR R55034) (ALSO ORDER (18) R53223) (SUB FOR AT18084 OR AT22749) (ALSO ORDER (4) T32340 AND (4) AR54747) (SUB FOR AT24997) (ALSO ORDER (18) R53223) (SUB FOR AT31590) (SUB AR97028, R46625, R73139, AND R131794) |
| 15 | AR97028 | CYLINDER BLOCK | 1 | XXXXXX-____ | (DIESEL) (MARKED R72973) |
| 15 | AT31585 | CYLINDER BLOCK | 1 | ____-XXXXXX | (GASOLINE) (MARKED T24960, T26932 OR T32349) (ALSO ORDER (4) AR71617 AND (4) T32350) (SUB FOR AT18083, AT22748 OR AT24996) (SUB AR97090, R46625, R73139 AND R73140) |
| 15 | AR97090 | CYLINDER BLOCK | 1 | XXXXXX-____ | (GASOLINE) (MARKED R72981) (NLA) |



T 17272



Suggest:

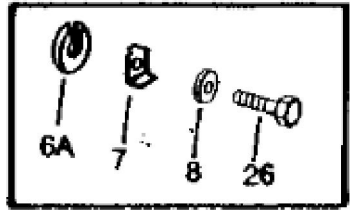
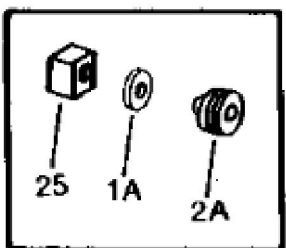
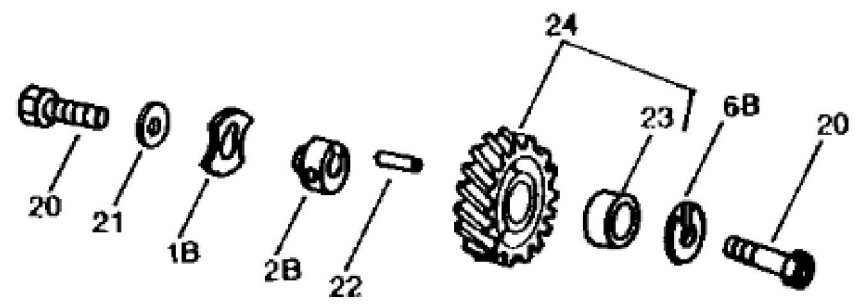
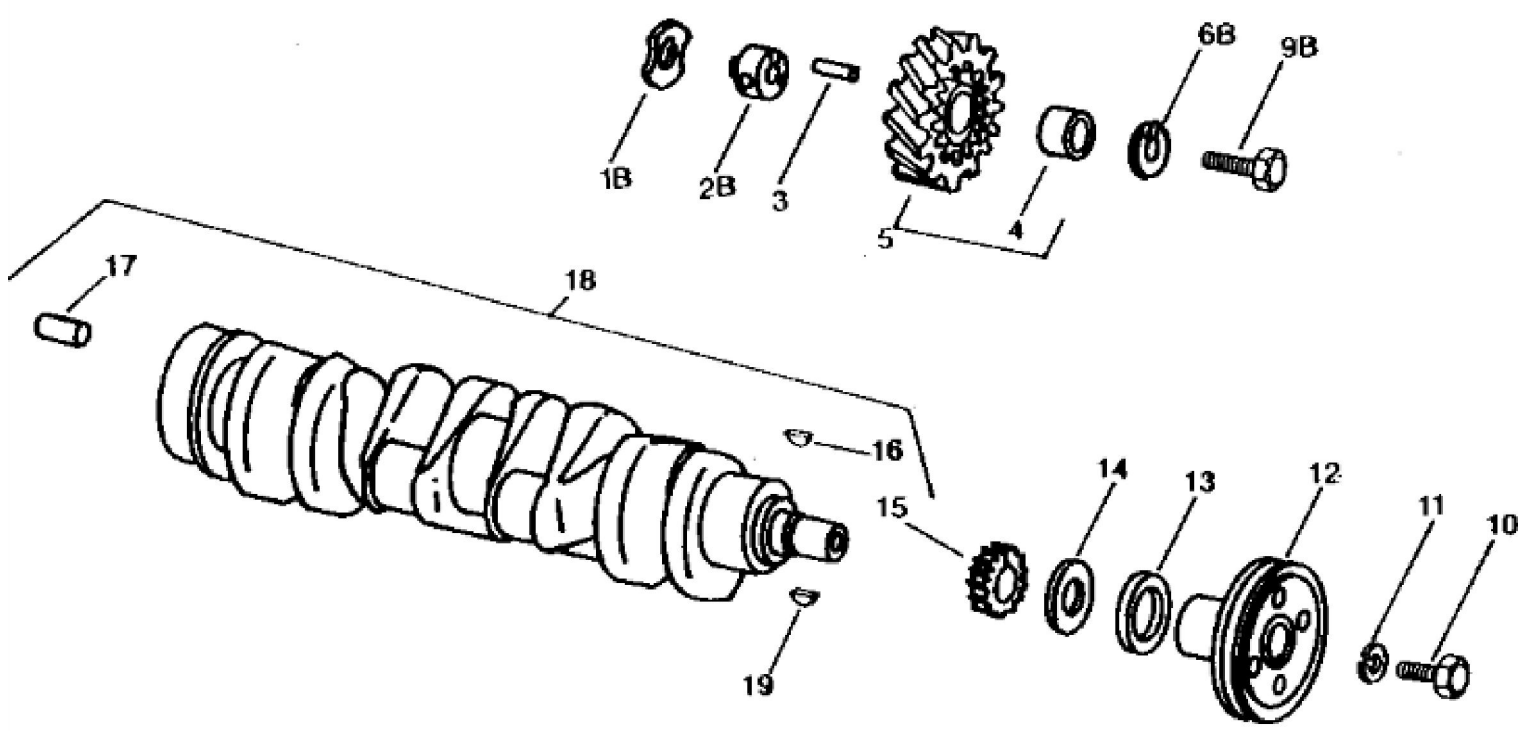
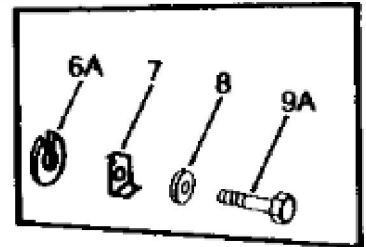
For more complete manuals. Please go to the home page.

<https://www.ebooklibonline.com>

If the above button click is invalid. Please download this document first, and then click the above link to download the complete manual.

Thank you so much for reading

| KEY | PART NO. | PART NAME | QTY | Engine Serial No. | REMARKS |
|-----|----------|-------------|-----|-------------------|---|
| 1 | 15H624 | PIPE PLUG | 1 | | 1/2" |
| 2 | T24535 | GASKET | 1 | | (STEEL PAN) |
| 2 | R97342 | GASKET | 1 | | (CAST IRON PAN) (SUB FOR R49515) |
| 3 | 12H304 | LOCK WASHER | 28 | | 3/8" |
| 4 | 19H1732 | CAP SCREW | 2 | | 3/8" X 1-1/4", (ENGINE COOLANT HEATER) |
| 5 | AT18179 | OIL PAN | 1 | ____-080503 | (SUB AT67734, T13213, T20098 AND 15H690) |
| 5 | AT67734 | OIL PAN | 1 | 080504-____ | (SUB FOR AR66726) |
| 6 | 19H2284 | CAP SCREW | 5 | | 3/8" X 7/8" |
| 7 | 19H1801 | CAP SCREW | 1 | | 3/8" X 2" |
| 8 | 24M7106 | WASHER | 4 | | 10 X 18 X 2.500 MM, (SUB FOR T23200) |
| 9 | T20098 | DRAIN PLUG | 1 | | |
| 10 | T13213 | WASHER | 1 | | |
| 11 | 15H564 | PIPE PLUG | 1 | ____-080503 | 3/4" |
| 12 | 19H1936 | CAP SCREW | AR | | 3/8" X 3/4", (19 USED ENGINE COOLANT HEATER) (21 USED LESS ENGINE COOLANT HEATER) |
| 13 | 19H1732 | CAP SCREW | 1 | | 3/8" X 1-1/4" |



RWP4399

<https://www.ebooklibonline.com>

Hello dear friend!

Thank you very much for reading.

Enter the link into your browser.

The full manual is available for immediate download.

<https://www.ebooklibonline.com>