

CD 36562

KEY	PART NO.	PART NAME	QTY	1830	2030	2130	REMARKS	
1	R97454	GASKET	1	X	X	X		
2	RE30685	COVER	AR	X	X	X		
3	DD14928	KIT	AR	X	X	X	KIT	
4	T20362	COVER	1	X	X	X		
5	24H1304	WASHER	13	X	X	X	13/32"X23/32"X0.120"	
6	19H2284	CAP SCREW	2	X	X	X	3/8"X7/8"	
7	R83169	VALVE	1	X	X	X		
8	T27658	SPRING	1	X	X	X		
9	24H1290	WASHER	AR	X	X	X	21/64"X3/4"X0.036"	
10	A4827R	WASHER	1	X	X	X		
11	R91692	FITTING PLUG	1	X	X	X		
12	19H1733	CAP SCREW	1	X	X	X	3/8"X2-1/2"	
13	19H2545	CAP SCREW	4	X	X	X	3/8"X1-3/8"	
14	19H3181	CAP SCREW	1	X	X	X	3/8"X2"	
15	19H2549	CAP SCREW	4	X	X	X	3/8"X1-7/8"	

<https://www.ebooklibonline.com>

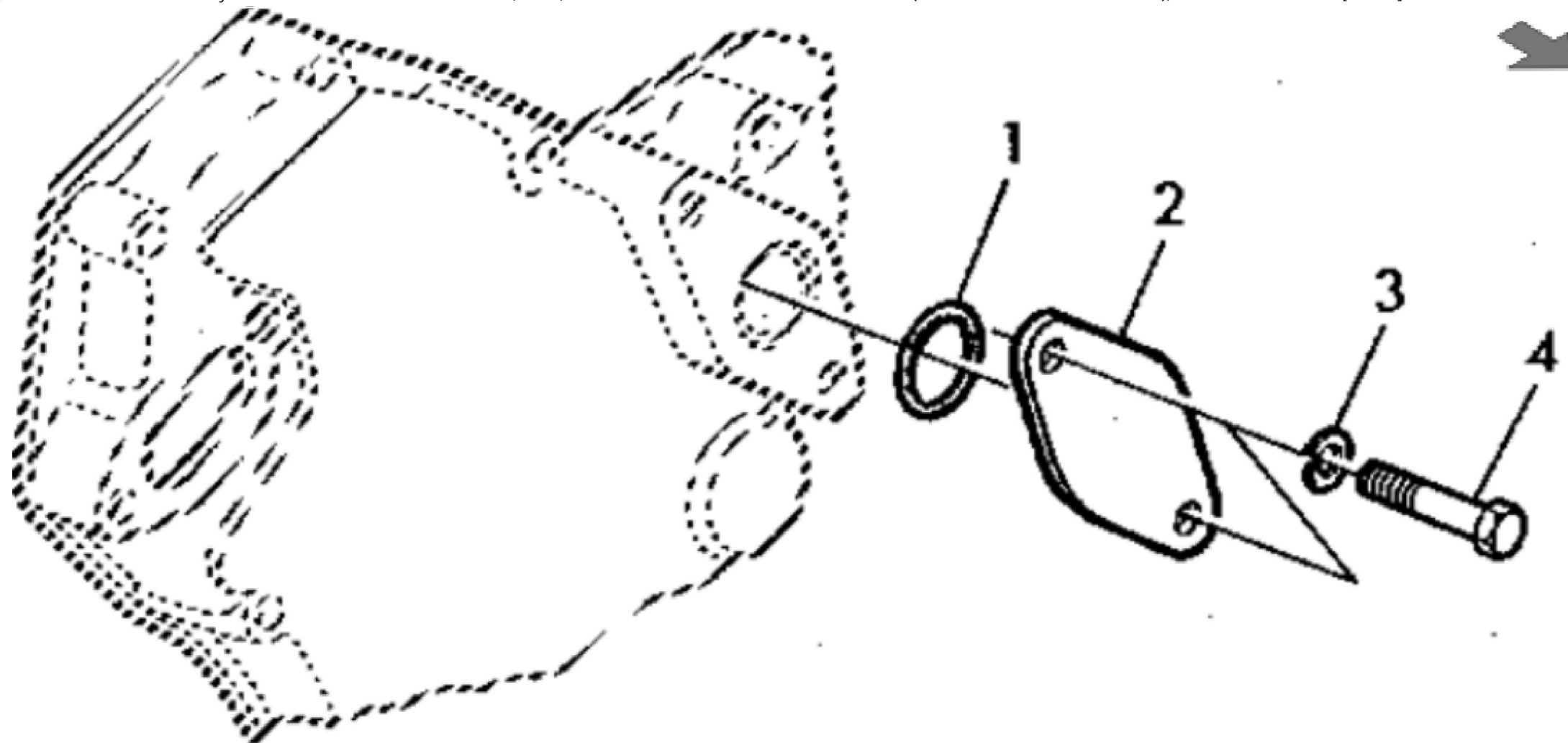
Hello dear friend!

Thank you very much for reading.

Enter the link into your browser.

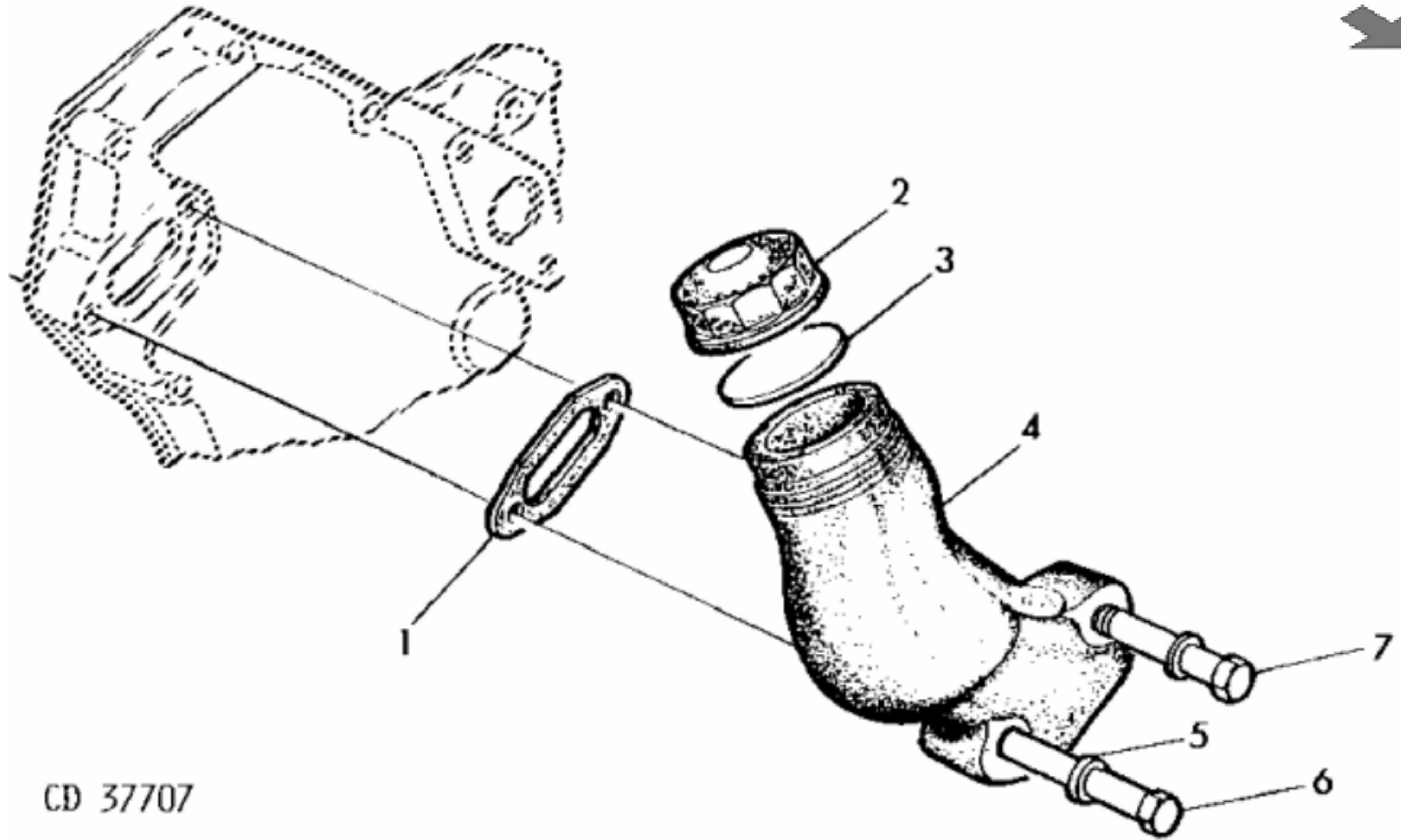
The full manual is available for immediate download.

<https://www.ebooklibonline.com>



CD 26024

KEY	PART NO.	PART NAME	QTY	1830	2030	2130	REMARKS	
1	R47154	O-RING	1	X	X	X	(FOR AR91662, RE30685)	
2	R67769	COVER	1	X	X	X	(FOR AR91662, RE30685)	
3	12H302	LOCK WASHER	2	X	X	X	1/4" (FOR AR91662, RE30685)	
4	19H1948	CAP SCREW	2	X	X	X	1/4"X3/4 (FOR AR91662, RE30685)	



CD 37707



Suggest:

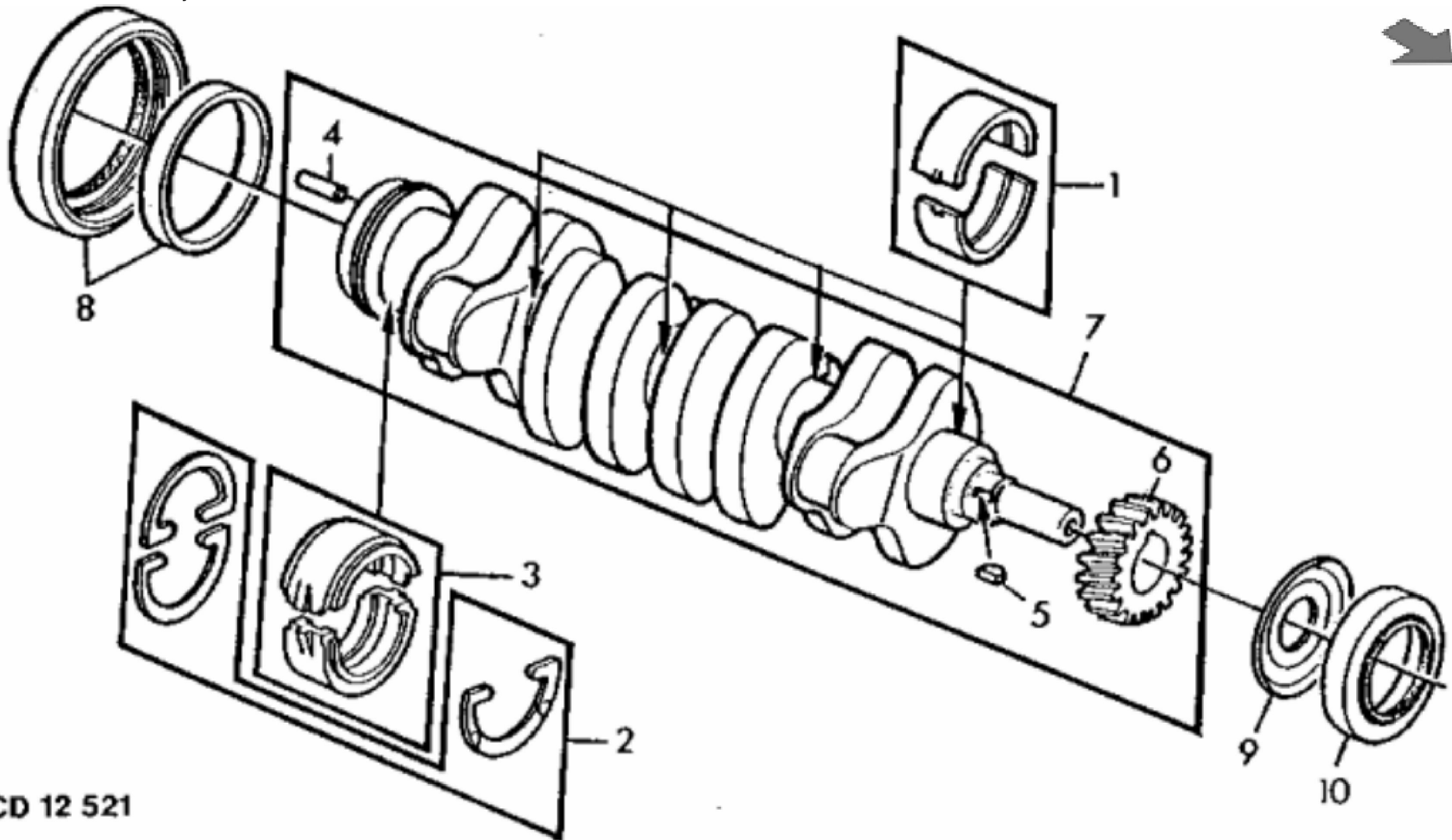
For more complete manuals. Please go to the home page.

<https://www.ebooklibonline.com>

If the above button click is invalid. Please download this document first, and then click the above link to download the complete manual.

Thank you so much for reading

KEY	PART NO.	PART NAME	QTY	1830	2030	2130	REMARKS	
1	R97352	GASKET	1	X	X	X	(SUB FOR T20336)	
2	R90788	PLUG	1	X	X	X	(SUB FOR T20294)	
3	T20328	GASKET	1	X	X	X		
4	T23614	FILLER NECK	1	X	X	X		
5	24H1304	WASHER	2	X	X	X	13/32"X23/32"X0.120"	
6	19H2128	CAP SCREW	1	X	X	X	3/8"X3"	
7	19H2665	CAP SCREW	1	X	X	X	3/8"X1-5/8"	



CD 12 521

<https://www.ebooklibonline.com>

Hello dear friend!

Thank you very much for reading.

Enter the link into your browser.

The full manual is available for immediate download.

<https://www.ebooklibonline.com>