

MP18426

KEY	PART NO.	PART NAME	QTY	REMARKS
1	LG94821	SCREW	4	
2	LG691500	BUSHING	4	(SUB FOR LG805402)
3	LG494439	SCREEN	1	
4	LG691058	BOLT	2	(SUB FOR LG94627)
5	LG690452	RETAINER	1	(SUB FOR LG224413)
6	M145401	FAN	1	NLA(SUB FOR LG281400 AND LG691927)
7	LG225136	WASHER	3	
8	LG693557	FLYWHEEL	1	(SUB FOR LG690222 OR LG492326)
9	AM133624	RING GEAR	1	(SUB FOR LG399676) (INCLUDES (4) LG691265, (4) LG693109 AND (4) LG693148)
10	LG496412	CRANKCASE	1	NLA
11	LG391086S	SEAL	1	(SUB FOR LG391086)
12	LG399265	BEARING	1	NLA; ORDER MIA11778
12	MIA11778	SEAL KIT	1	
13	LG491986	BUSHING KIT	1	NLA; Governor Shaft Bushing
14	LG692407	SEAL	1	(SUB FOR LG491323)
15	LG690959	DOWEL PIN	2	(SUB FOR LG230192)
16	LG691328	TUBE	1	(SUB FOR LG281246)
17	LG691666	CAP SCREW	2	(SUB FOR LG94621)
18	LG495735	BREATHER	1	
19	LG27803S	GASKET	1	(SUB FOR LG27803)
20	LG93758	SCREW	1	OIL PUMP SCREEN
21	LG225076	SCREEN	1	OIL PUMP
22	15H623	DRAIN PLUG	1	(SUB FOR LG94239 AND LG690946)
23	LG692125	CAP SCREW	10	(SUB FOR LG94624)
24	LG693582	RESERVOIR	1	NLA
25	LG291675S	SEAL	1	(SUB FOR LG291675)
26	LG692226	GASKET	1	.38 MM (.015"), (SUB FOR LG271916)
26	LG692406	GASKET	1	.13 MM (.005"), (SUB FOR LG271997)
26	LG692405	GASKET	1	.23 MM (.009"), (SUB FOR LG271996)
27	LG231931	TUBE	1	OIL PUMP
28	AM119686	DRAIN VALVE	1	
29	TY22562	BULK HOSE	AR	7.62M (25 FT.), ROLL
30	19M7897	SCREW	4	M8 X 35, ENGINE MOUNTING

<https://www.ebooklibonline.com>

Hello dear friend!

Thank you very much for reading.

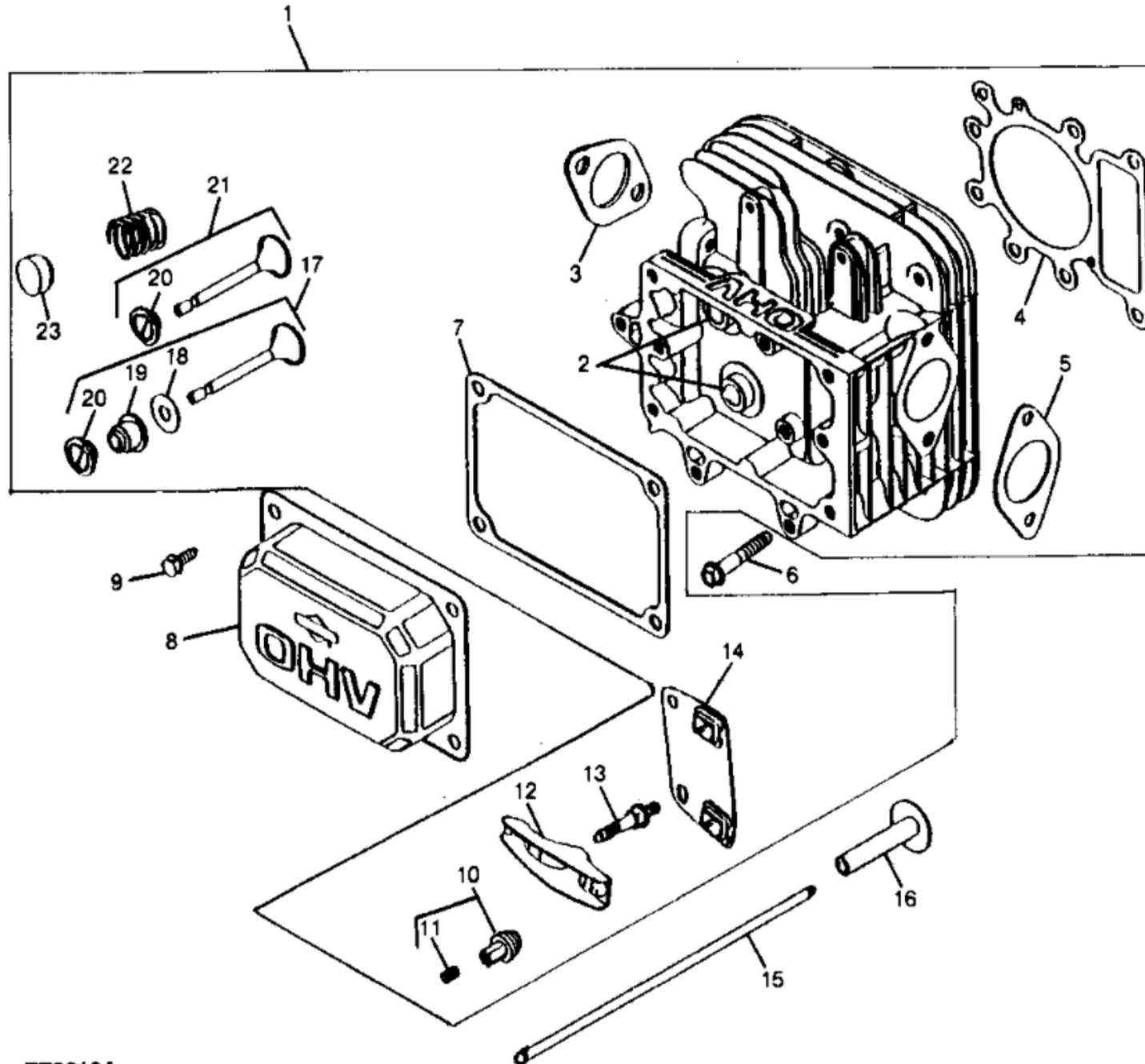
Enter the link into your browser.

The full manual is available for immediate download.

<https://www.ebooklibonline.com>

KEY	PART NO.	PART NAME	QTY	REMARKS	
31	14M7298	FLANGE NUT	3	M8, ENGINE MOUNTING (LH FRONT, BOTH REAR)	
31	14M7273	NUT	1	M8, ENGINE MOUNTING (LH FRONT)	
..	LG496758	LABEL KIT	1	ENGINE	
..	28Q7770536E1	ENGINE	1	(SUB FOR 28Q7770662E1)	

KEY	PART NO.	PART NAME	QTY	REMARKS
1	37H73	SCREW	1	
2	LG692014	FILLER CAP	1	NLA; (SUB FOR LG495230)
3	LG691870	SEAL	1	(SUB FOR LG270920)
4	LG691398	TUBE	1	NLA; OIL FILLER (SUB FOR LG496113)
5	LG281370S	SEAL	1	(SUB FOR LG281370)
6	LG496415	TUBE	1	NLA; OIL FILLER (COMPLETE)
7	LG691588	PISTON PIN	1	(2 PER PKG), (SUB FOR LG26026)
8	LG298909	PIN	1	COUNTERWEIGHT
9	LG692423	COUNTERWEIGHT	1	(SUB FOR LG399891 OR LG499994)
10	LG691096	CAP SCREW	1	(SUB FOR LG94593)
11	M153303	SCREW	1	(SUB FOR LG691658)
12	LG691779	EXTENSION	1	CRANKSHAFT
13	LG691639	KEY	1	TIMING GEAR (SUB FOR LG94196)
14	LG691284	GEAR	1	TIMING (SUB FOR LG262932)
15A	LG693944	CRANKSHAFT	1	NLA (UP TO ENGINE CODE -98063000)
15B	LG690136	CRANKSHAFT	1	(FROM ENGINE CODE 98070100-) NLA
16	LG222698S	SHAFT KEY	1	FLYWHEEL (SUB FOR LG222698)
17	LG691792	LOCK	1	PISTON PIN (SUB FOR LG260924)
18	LG495854	PISTON RING KIT	1	STD
18	LG495851	PISTON RING KIT	1	.50 MM (.020") OS, NLA
18	LG499998	RING KIT	1	.50 MM (.020") OS, NLA
19	LG499284	PISTON REPLACEMENT KIT	1	STD
19	LG499292	PISTON	1	.50 MM (.020") OS, NLA; (SUB FOR LG495978)
20	LG498319	PISTON PIN	1	(SUB FOR LG299691)
21	LG690352	CAP SCREW	1	NLA; SUB FOR LG94648 OR LG690348
22	LG690356	SCREW	1	48 MM (1-57/64"), (SUB FOR LG94695)
23	LG494504S	CONNECTING ROD	1	(ENGINE CODES UP TO -98063000) (SUB FOR LG494504)
23	M144310	CONNECTING ROD	1	NLA; (FROM ENGINE CODES 98070100-)
24	LG691968	GEAR	1	GOVERNOR (SUB FOR LG490815)
25	LG496885	GEAR	1	NLA, CAM
26	LG691714	LINK	1	COUNTERWEIGHT
27	LG691792	LOCK	2	PISTON PIN (USE WITH LG299691) (SUB FOR LG260924)
27	LG691299	LOCK	2	PISTON PIN (USE WITH LG498319)



TT00104



Suggest:

For more complete manuals. Please go to the home page.

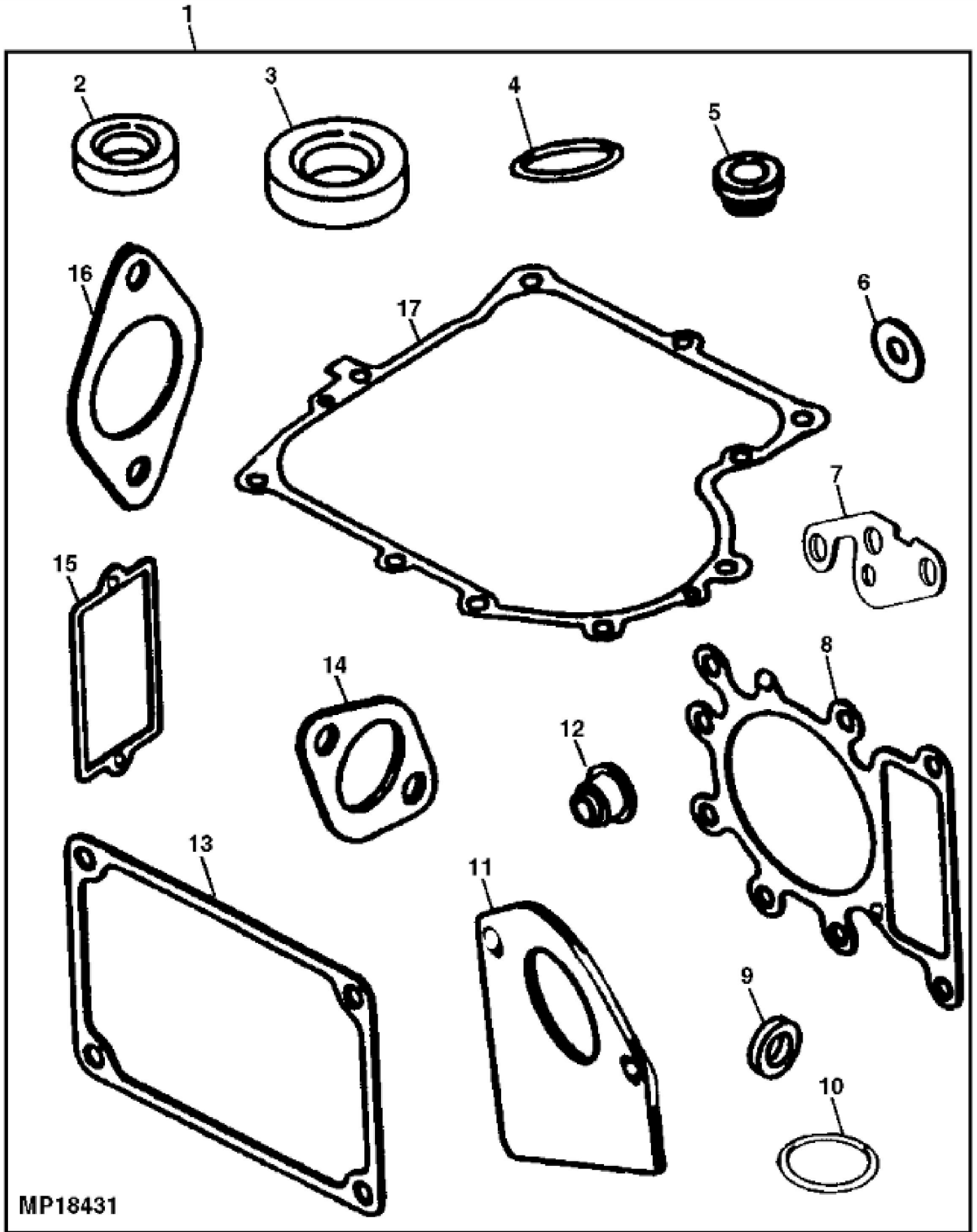
<https://www.ebooklibonline.com>

If the above button click is invalid. Please download this document first, and then click the above link to download the complete manual.

Thank you so much for reading

John Deere > Turf And Utility >TRACTOR, LAWN AND GARDEN >SABRE - TRACTOR, LAWN AND GARDEN >SABRE 1646HS, 1646V-Twin H and EUROPRO 1646H Lawn Tractors >20 ENGINE (SINGLE CYLINDER) >ST582323 - CYLINDER HEAD

KEY	PART NO.	PART NAME	QTY	REMARKS
1	LG691165	CYLINDER HEAD	1	(SUB FOR LG495858)
2	LG690969	BUSHING	2	(SUB FOR LG262835)
3	LG692236	GASKET	1	(A) (SUB FOR LG272293)
4	MIU11490	ENGINE CYLINDER HEAD GASKET	1	(A) (SUB FOR LG273280S OR M150400)
5	LG272569S	GASKET	1	(A) (SUB FOR LG272569)
6	LG690360	SCREW	1	(SUB FOR LG94728)
7	LG272475S	GASKET	1	(A) (SUB FOR LG272475)
8	MIU12708	COVER	1	(ROCKER ARM) (INCLUDES LG272475S) (SUB FOR LG214314 OR LG690388 OR LG692492 OR MIU11055)
9	37H73	SCREW	4	(SUB FOR LG94786 OR LG692198)
10	LG492160	ADJUSTER	1	
11	LG810068	SET SCREW	1	
12	LG691751	ROCKER ARM	1	(SUB FOR LG224554)
13	LG691095	STUD	1	(SUB FOR LG94555)
14	LG690822	GUIDE	2	(SUB FOR LG495248)
15	LG692003	PUSH ROD	1	(INTAKE) (SUB FOR LG494432)
15	LG692011	PUSH ROD	1	(EXHAUST) (SUB FOR LG495136)
16	LG690564	TAPPET	2	(SUB FOR LG262411)
17	MIA10689	INTAKE VALVE	1	(INCLUDES PARTS MARKED (B)) (SUB FOR LG495857 OR M149939)
18	LG691316	GASKET	1	(A) (SUB FOR LG272610)
19	LG690968	SEAL	1	(A), (B) (SUB FOR LG494435 OR LG499236)
20	LG499586	RETAINER	2	(B) (SUB FOR LG224641, LG691752 OR M144618)
21	LG495856	EXHAUST VALVE	1	
22	LG691279	SPRING	2	(SUB FOR LG262811)
23	LG691843	CAP	2	(SUB FOR LG262836)
..	LG495992	CARBURETOR KIT	1	VALVE OVERHAUL (INCLUDES PARTS MARKED (A))



MP18431

<https://www.ebooklibonline.com>

Hello dear friend!

Thank you very much for reading.

Enter the link into your browser.

The full manual is available for immediate download.

<https://www.ebooklibonline.com>