

MP18426

John Deere > Turf And Utility >TRACTOR, LAWN AND GARDEN >EUROPRO - TRACTOR, LAWN AND GARDEN >SABRE 1642HS, 1642V-Twin H, 1642V-Twin G and EUROPRO 1642H Lawn Tractors >20 ENGINE (SINGLE CYLINDER) >ST582243 - CRANKCASE

KEY	PART NO.	PART NAME	QTY	REMARKS
1	LG94821	SCREW	4	
2	LG691500	BUSHING	4	(SUB FOR LG805402)
3	LG494439	SCREEN	1	
4	LG691058	BOLT	2	(SUB FOR LG94627)
5	LG690452	RETAINER	1	(SUB FOR LG224413)
6	M145401	FAN	1	NLA(SUB FOR LG281400 AND LG691927)
7	LG225136	WASHER	3	
8	LG693557	FLYWHEEL	1	(SUB FOR LG690222 OR LG492326)
9	AM133624	RING GEAR	1	(SUB FOR LG399676) (INCLUDES (4) LG691265, (4) LG693109 AND (4) LG693148)
10	LG496412	CRANKCASE	1	NLA
11	LG391086S	SEAL	1	(SUB FOR LG391086)
12	LG399265	BEARING	1	NLA; ORDER MIA11778
12	MIA11778	SEAL KIT	1	
13	LG491986	BUSHING KIT	1	NLA; Governor Shaft Bushing
14	LG692407	SEAL	1	(SUB FOR LG491323)
15	LG690959	DOWEL PIN	2	(SUB FOR LG230192)
16	LG691328	TUBE	1	(SUB FOR LG281246)
17	LG691666	CAP SCREW	2	(SUB FOR LG94621)
18	LG495735	BREATHER	1	
19	LG27803S	GASKET	1	(SUB FOR LG27803)
20	LG93758	SCREW	1	OIL PUMP SCREEN
21	LG225076	SCREEN	1	OIL PUMP
22	15H623	DRAIN PLUG	1	3/8", (SUB FOR LG94239 AND LG690946)
23	LG692125	CAP SCREW	10	(SUB FOR LG94624)
24	LG496742	RESERVOIR	1	
25	LG291675S	SEAL	1	(SUB FOR LG291675)
26	LG692226	GASKET	1	.38 MM (.015"), (SUB FOR LG271916)
26	LG692406	GASKET	1	.13 MM (.005"), (SUB FOR LG271997)
26	LG692405	GASKET	1	.23 MM (.009"), (SUB FOR LG271996)
27	LG231931	TUBE	1	OIL PUMP
28	AM119686	DRAIN VALVE	1	
29	TY22562	BULK HOSE	AR	7.62M (25 FT.), ROLL
30	19M7897	SCREW	4	M8 X 35, ENGINE MOUNTING

<https://www.ebooklibonline.com>

Hello dear friend!

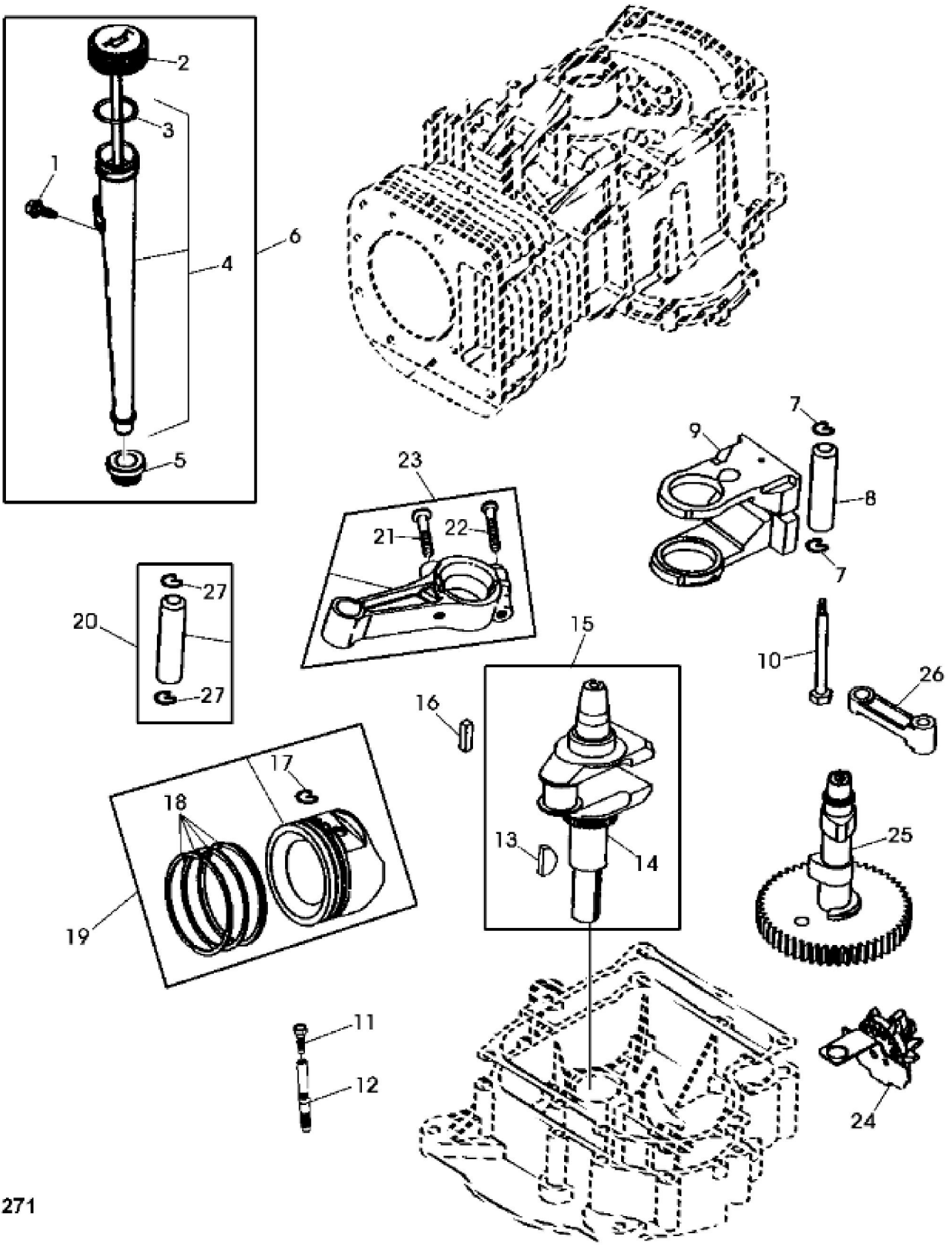
Thank you very much for reading.

Enter the link into your browser.

The full manual is available for immediate download.

<https://www.ebooklibonline.com>

KEY	PART NO.	PART NAME	QTY	REMARKS	
31	14M7298	FLANGE NUT	3	M8, ENGINE MOUNTING (LH FRONT, BOTH REAR)	
31	14M7273	NUT	1	M8, ENGINE MOUNTING (LH FRONT)	
..	LG496758	LABEL KIT	1	ENGINE	
..	28Q7770536E1	GASOLINE ENGINE	1	(COMPLETE) (SUB FOR 28Q7770662E1)	



PU01271



Suggest:

For more complete manuals. Please go to the home page.

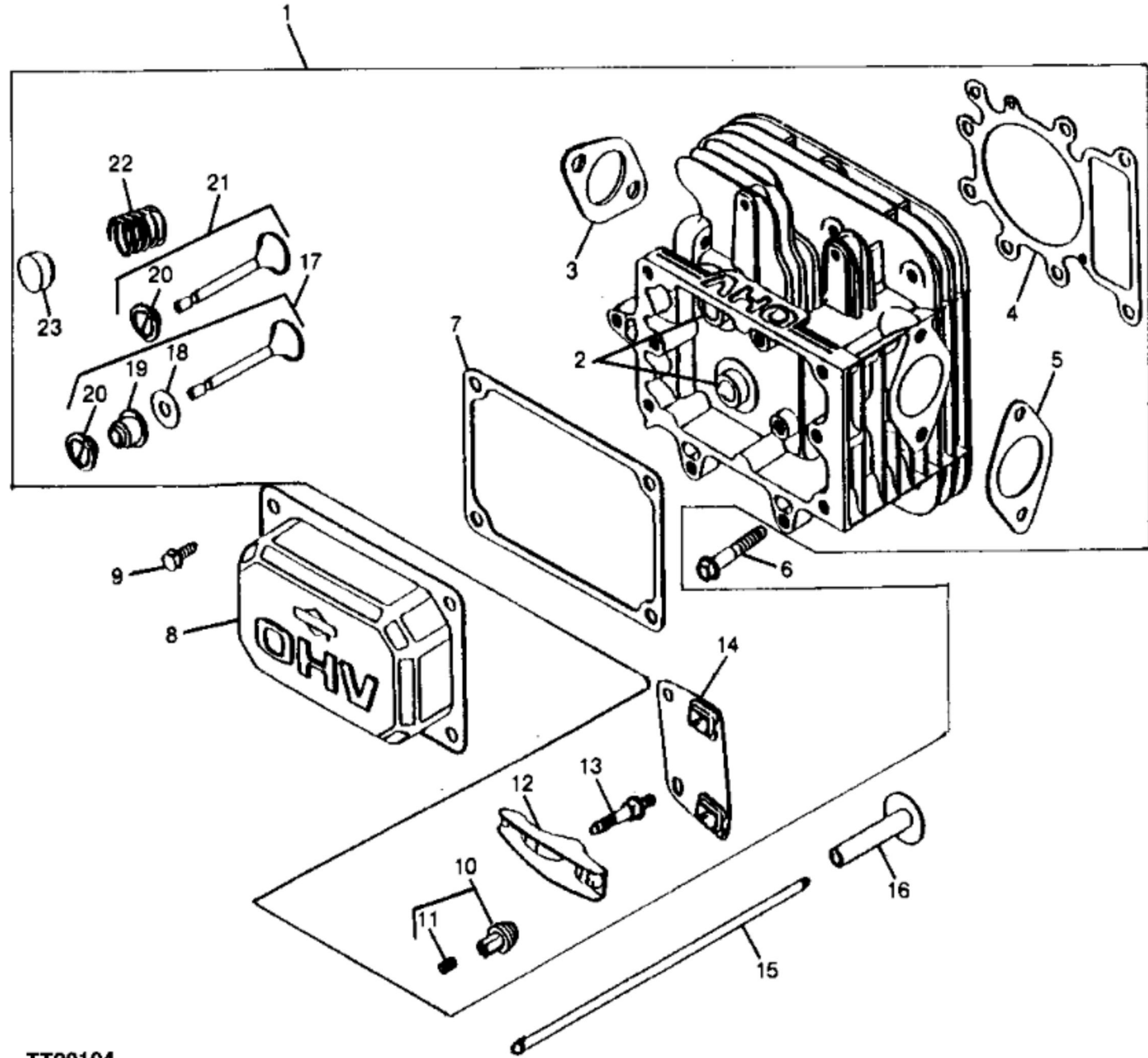
<https://www.ebooklibonline.com>

If the above button click is invalid. Please download this document first, and then click the above link to download the complete manual.

Thank you so much for reading

John Deere > Turf And Utility >TRACTOR, LAWN AND GARDEN >EUROPRO - TRACTOR, LAWN AND GARDEN >SABRE 1642HS, 1642V-Twin H, 1642V-Twin G and EUROPRO 1642H Lawn Tractors >20 ENGINE (SINGLE CYLINDER) >ST582244 - CRANKSHAFT, PISTON AND DIPSTICK

KEY	PART NO.	PART NAME	QTY	REMARKS
1	37H73	SCREW	1	
2	LG692014	FILLER CAP	1	NLA; (SUB FOR LG495230)
3	LG270920	SEAL	1	
4	LG691398	TUBE	1	NLA; OIL FILLER (SUB FOR LG496113)
5	LG281370S	SEAL	1	(SUB FOR LG281370)
6	LG496415	TUBE	1	NLA; OIL FILLER (COMPLETE)
7	LG691588	PISTON PIN	2	PKG OF 2, (SUB FOR LG26026)
8	LG298909	PIN	1	COUNTERWEIGHT
9	LG692423	COUNTERWEIGHT	1	(SUB FOR LG399891 OR LG499994)
10	LG691096	CAP SCREW	1	(SUB FOR LG94593)
11	M153303	SCREW	1	(SUB FOR LG691658)
12	LG691779	EXTENSION	1	CRANKSHAFT
13	LG691639	KEY	1	TIMING GEAR (SUB FOR LG94196)
14	LG691284	GEAR	1	TIMING (SUB FOR LG262932)
15	AM129705	CRANKSHAFT	1	(SUB FOR LG498971) (INCLUDES LG692423)
16	LG222698S	SHAFT KEY	1	FLYWHEEL (SUB FOR LG222698)
17	LG691792	LOCK	1	(SUB FOR LG260924)
18	LG495854	PISTON RING KIT	1	STD
18	LG495851	PISTON RING KIT	1	.50 MM (.020") OS
19	LG499284	PISTON REPLACEMENT KIT	1	STD
19	LG495978	PISTON REPLACEMENT KIT	1	.50 MM (.020") OS
20	LG498319	PISTON PIN	1	(SUB FOR LG299691)
21	LG690352	CAP SCREW	1	NLA; SUB FOR LG94648 OR LG690348
22	LG690356	SCREW	1	48 MM (1-57/64"), (SUB FOR LG94695)
23	LG494504S	CONNECTING ROD	1	STD (SUB FOR LG494504)
23	LG495490	CONNECTING ROD	1	.50 MM (.020") US, NLA
24	LG691968	GEAR	1	GOVERNOR (SUB FOR LG490815)
25	LG496885	GEAR	1	NLA, CAM
26	LG691714	LINK	1	COUNTERWEIGHT
27	LG691792	LOCK	2	PISTON PIN (USE WITH LG299691) (SUB FOR LG260924)
27	LG691299	LOCK	2	PISTON PIN (USE WITH LG498319)



TT00104

<https://www.ebooklibonline.com>

Hello dear friend!

Thank you very much for reading.

Enter the link into your browser.

The full manual is available for immediate download.

<https://www.ebooklibonline.com>