

GU20037 >ST644796 - CRANKCASE

KEY	PART NO.	PART NAME	QTY	REMARKS
1	M147493	SCREEN	1	(SUB MIU11503)
2	37H43	SCREW	4	
3	LG690582	WASHER	1	
4	LG691058	BOLT	2	
5	LG690452	RETAINER	1	
6	M147494	FAN	1	
6	MIU11503	FAN	1	(SUB MIA11519)
7	AM132343	FLYWHEEL	1	ORDER AUC10649; ALSO ORDER MIU13972
7	AUC10649	FLYWHEEL	1	
8	LG691265	SNAP RING	1	
9	LG693713	PINION	1	STARTER
10	M147508	SCREW	2	
11	M147499	TUBE	1	BREATHER
12	M147500	COVER	1	ORDER MIU11631
12	MIU11631	COVER	1	
13	M147564	GASKET	1	
14	M147507	SCREW	2	
15	M147501	BREATHER	1	BREATHER
16	MIA11419	CYLINDER BLOCK	1	(SUB FOR AM132374 OR MIA11101)
17	LG399265	BEARING	1	ORDER MIA11778; Bushing W/Seal
17	MIA11778	SEAL KIT	1	Bushing W/Seal
18	LG391086S	SEAL	1	(MAGNETO SIDE)
19	LG690959	DOWEL PIN	1	
20	LG692407	SEAL	1	GOVERNOR
21	M147497	BUSHING	1	GOVERNOR
22	M147513	GASKET	1	
23	MIU11958	SEAL	1	PTO SIDE, (SUB FOR LG690947 OR MIU11212)
24	AM132352	RESERVOIR	1	
25	AM131611	TUBE	1	OIL DRAIN
26	OIL TUBE	1	
27	T77932	O-RING	1	
28	CAP	1	
29	GC00331	BOLT	4	ORDER GX24210; Engine Mounting
29	GX24210	SCREW	4	

<https://www.ebooklibonline.com>

Hello dear friend!

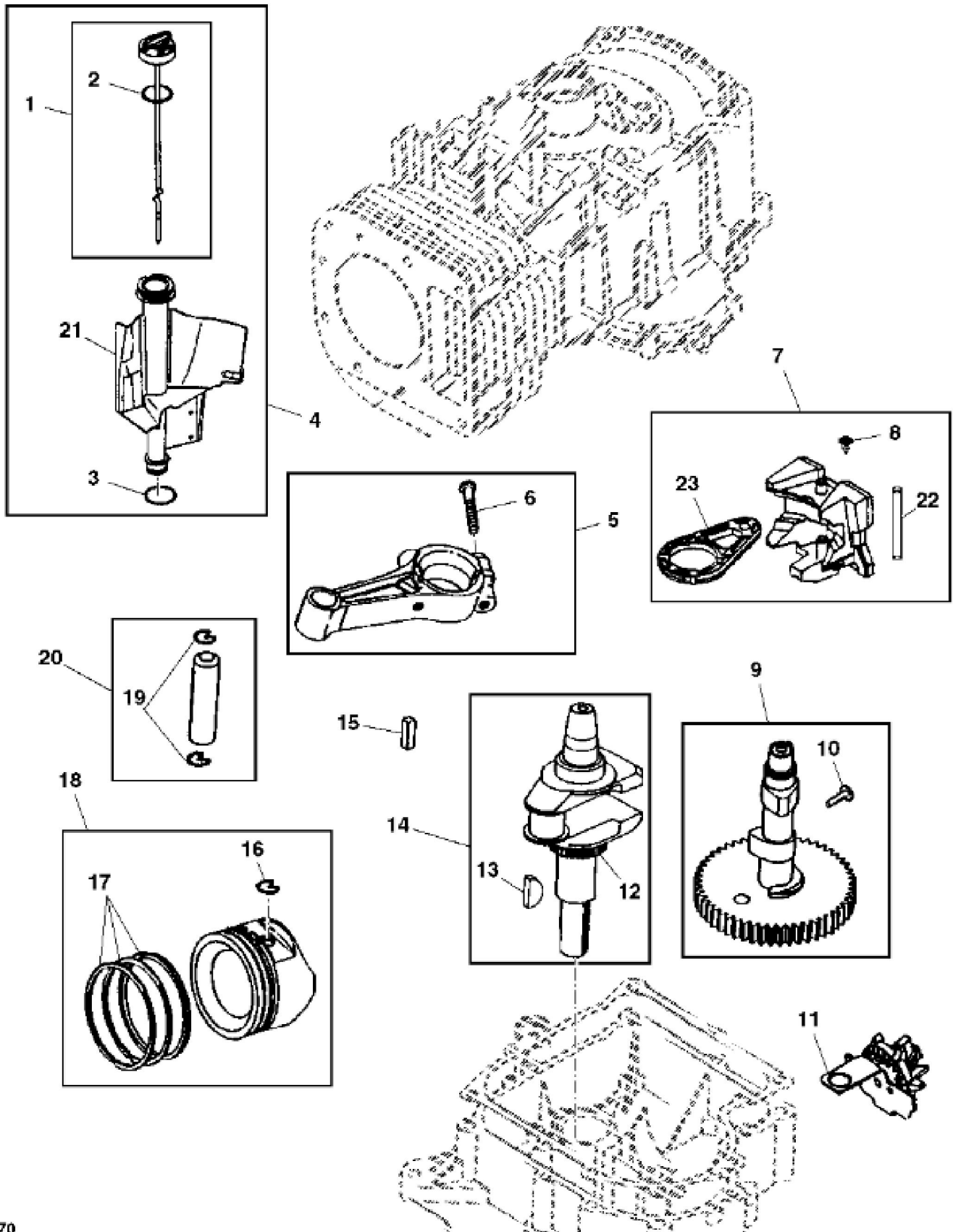
Thank you very much for reading.

Enter the link into your browser.

The full manual is available for immediate download.

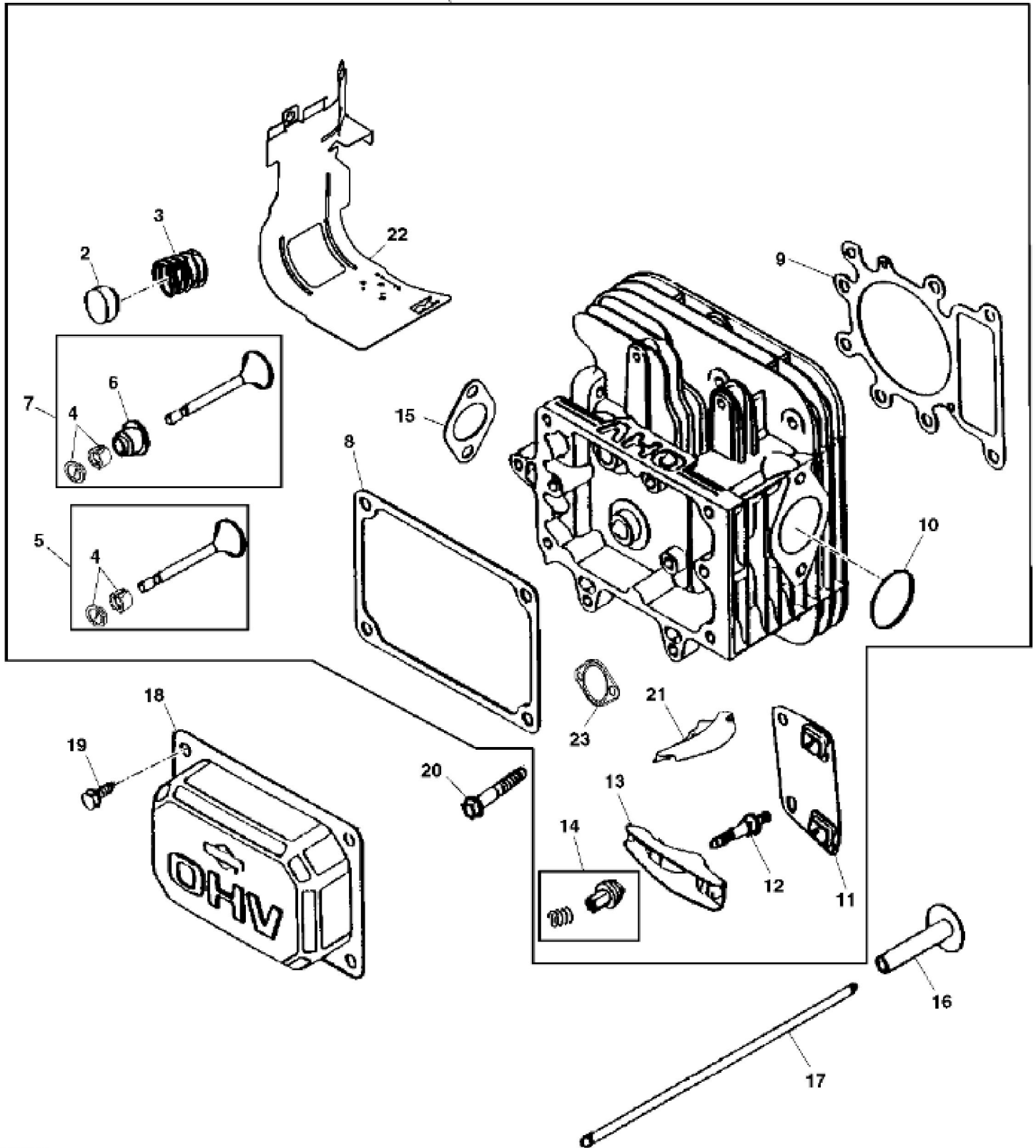
<https://www.ebooklibonline.com>

KEY	PART NO.	PART NAME	QTY	REMARKS
30	LG692125	CAP SCREW	12	
31	15H623	PIPE PLUG	1	3/8", (SUB FOR LG690946)
32	MIU11635	PLUG	1	(A)
33	MIA13017	SCREEN KIT	1	(A) SUB FOR MIU11634 AND MIA11525
34	MIU11638	SCREW	2	(A)
35	MIU12139	FLYWHEEL	1	(A) FAN
36	MIU13972	KEY	1	USE WITH AUC10649
..	AM131774	GASOLINE ENGINE	1	(MARKED 31F707-0112-E1)
..	AM133767	ASSEMBLY LINE PARTS	1	(MARKED 31F707-0112-E3) (SUB FOR AM131774)
..	MIA11519	FLYWHEEL KIT	1	(INCLUDES PARTS MARKED (A))



KEY	PART NO.	PART NAME	QTY	REMARKS
1	AM135145	DIPSTICK	1	(SUB FOR M147514)
2	LG691031	O-RING	1	
3	LG691032	SEAL	1	
4	AM135144	DIPSTICK TUBE	1	(SUB FOR AM132353)
5	MIA10624	ROD	1	CONNECTING, (SUB FOR AM132346)
6	MIU11051	SCREW	1	(SUB FOR LG692852)
7	MIA10989	COUNTERWEIGHT	1	(SUB FOR AM132354)
8	MIU11437	PLUG	1	SUB FOR M147515
9	AM135141	CAMSHAFT	1	(SUB FOR M150105)
10	LG690564	TAPPET	2	
11	LG691968	OIL SLINGER	1	
12	M147512	GEAR	1	TIMING
13	26H4	SHAFT KEY	1	1/8" X 3/8"
13	LG691639	KEY	1	
14	MIA11844	CRANKSHAFT	1	(SUB FOR AM132351)
15	LG222698S	SHAFT KEY	1	FLYWHEEL
16	M152553	LOCK	1	(SUB FOR M147509)
17	MIA10691	PISTON RING KIT	1	STD, SUB FOR M150897 AND M147570; USE WITH AM134715
17	M147571	PISTON RING KIT	1	.50 MM (.020") OS
17	MIU11639	PISTON RING KIT	1	.50 MM (.020") OS
18	MIA11421	PISTON	1	STD, (SUB FOR AM132375 OR MIA10844 OR AM134715 OR MIA10981 OR MIA10690)
18	MIA11430	PISTON	1	.50 MM (.020") OS, (SUB FOR AM132376 OR AM134716 OR MIA10918)
19	M152553	LOCK	2	(SUB FOR M147509)
20	AM132347	PISTON PIN	1	
21	M152554	DIPSTICK TUBE	1	
22	M152556	PIN	2	
23	MIU11436	LINK	2	

1





Suggest:

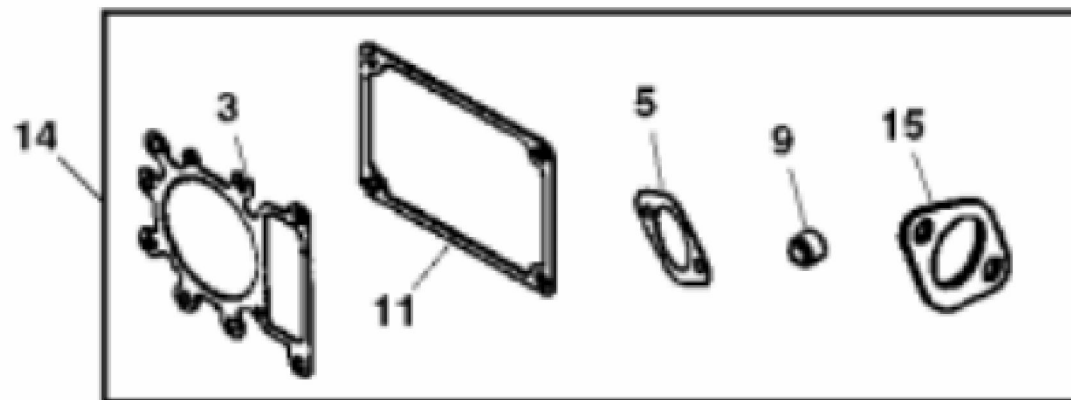
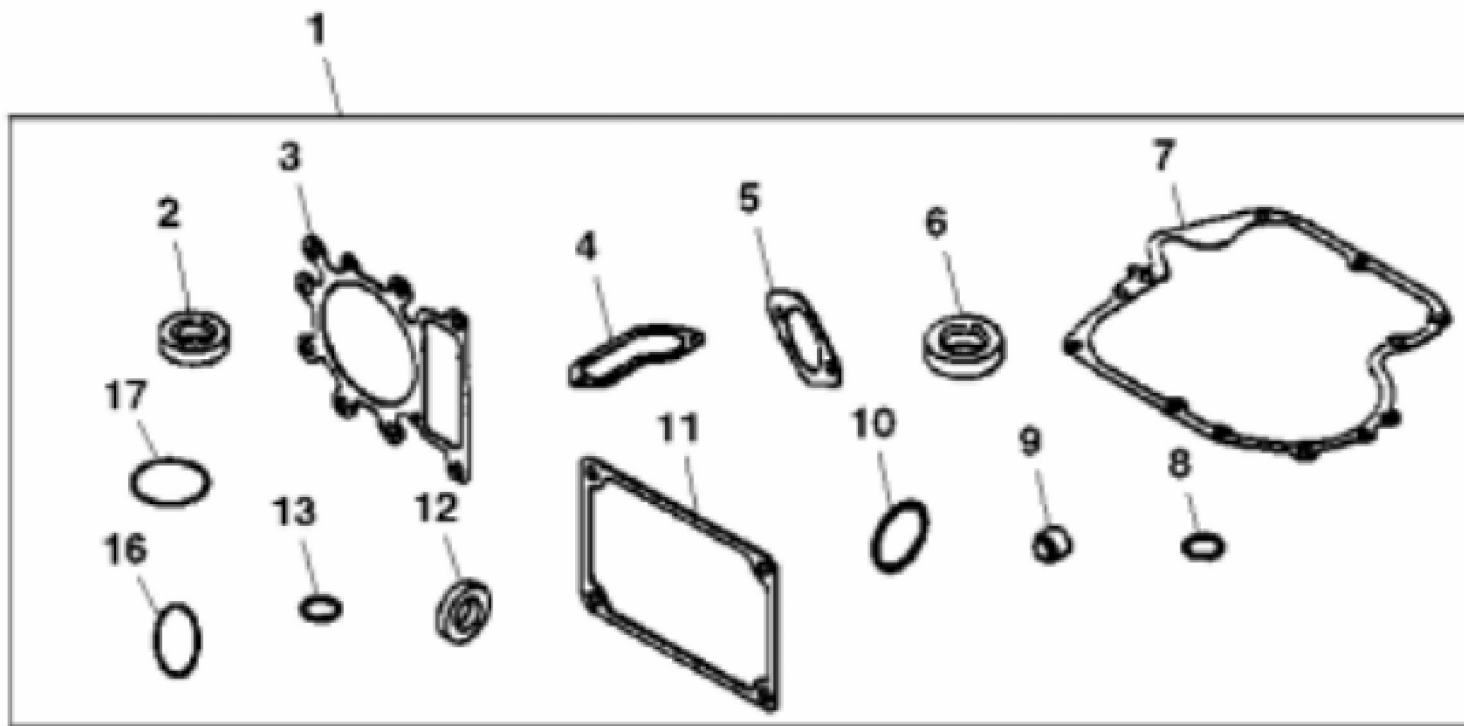
For more complete manuals. Please go to the home page.

<https://www.ebooklibonline.com>

If the above button click is invalid. Please download this document first, and then click the above link to download the complete manual.

Thank you so much for reading

KEY	PART NO.	PART NAME	QTY	REMARKS
1	MIA11468	CYLINDER HEAD	1	(SUB FOR MIA11079 OR AM132972 OR LG690188)
2	LG691843	CAP	2	
3	LG691279	SPRING	2	
4	LG499586	RETAINER	2	(SUB FOR LG691752 OR M144618)
5	MIA11214	EXHAUST VALVE	1	(SUB FOR LG495856 OR AM132546 OR AM133877 OR AM134724 OR MIA10688)
6	LG690968	SEAL	1	
7	MIA10689	INTAKE VALVE	1	(SUB FOR LG495857 OR M149939)
8	LG272475S	GASKET	1	
9	MIU11490	ENGINE CYLINDER HEAD GASKET	1	(SUB FOR LG692410 OR M150400)
10	LG692138	O-RING	1	
11	LG690822	GUIDE	1	
12	LG691095	STUD	2	
13	LG691751	ROCKER ARM	2	
14	LG691986	ADJUSTER	2	
15	M144311	GASKET	1	INTAKE
16	LG690564	TAPPET	2	
17	LG692003	PUSH ROD	1	INTAKE
17	LG692011	PUSH ROD	1	EXHAUST
18	MIU12708	COVER	1	(ROCKER ARM) (INCLUDES LG272475S) (SUB FOR LG692492 OR MIU11055)
19	37H73	SCREW	4	
20	LG690360	BOLT	8	
21	M152565	GUARD	1	FLYWHEEL, (USE WITH MIA11079)
22	MIU11713	SHIELD	1	CYLINDER
23	LG692236	GASKET	1	EXHAUST



<https://www.ebooklibonline.com>

Hello dear friend!

Thank you very much for reading.

Enter the link into your browser.

The full manual is available for immediate download.

<https://www.ebooklibonline.com>