

TCM12207A01

CYLINDER BLOCK

| KEY | PART NO. | PART NAME | QTY | REMARKS | |
|-----|-----------|-----------------------------|-----|---------------|--|
| 1 | MIA880848 | CYLINDER BLOCK | 1 | | |
| 2 | M809565 | DRAIN PLUG | 1 | | |
| 3 | CH10335 | PLUG | 3 | | |
| 4 | 15H562 | PIPE PLUG | 1 | 1" | |
| 5 | M87879 | BOLT | 8 | | |
| 6 | MIU800573 | BUSHING | 1 | Camshaft | |
| 7 | M87801 | PLUG | 2 | | |
| 8 | 30M7023 | PLUG | 6 | | |
| 9 | M802255 | PIN | 4 | | |
| 10 | M800974 | PIPE | 2 | | |
| 11 | AM882419 | THRUST BEARING | 2 | | |
| 11 | MIA880557 | BEARING | 2 | 0.25 OS | |
| 12 | MIU800797 | SHAFT | 1 | Idle Gear | |
| 13 | CH18079 | SPRING PIN | 2 | | |
| 14 | M800970 | BOLT | 14 | | |
| 15 | M810048 | ENGINE CYLINDER HEAD GASKET | 1 | | |
| 16 | MIA880559 | BEARING | 4 | Main Assembly | |
| 16 | MIA880549 | BEARING | 4 | 0.25 US | |
| 17 | CH10314 | PLUG | 1 | | |

<https://www.ebooklibonline.com>

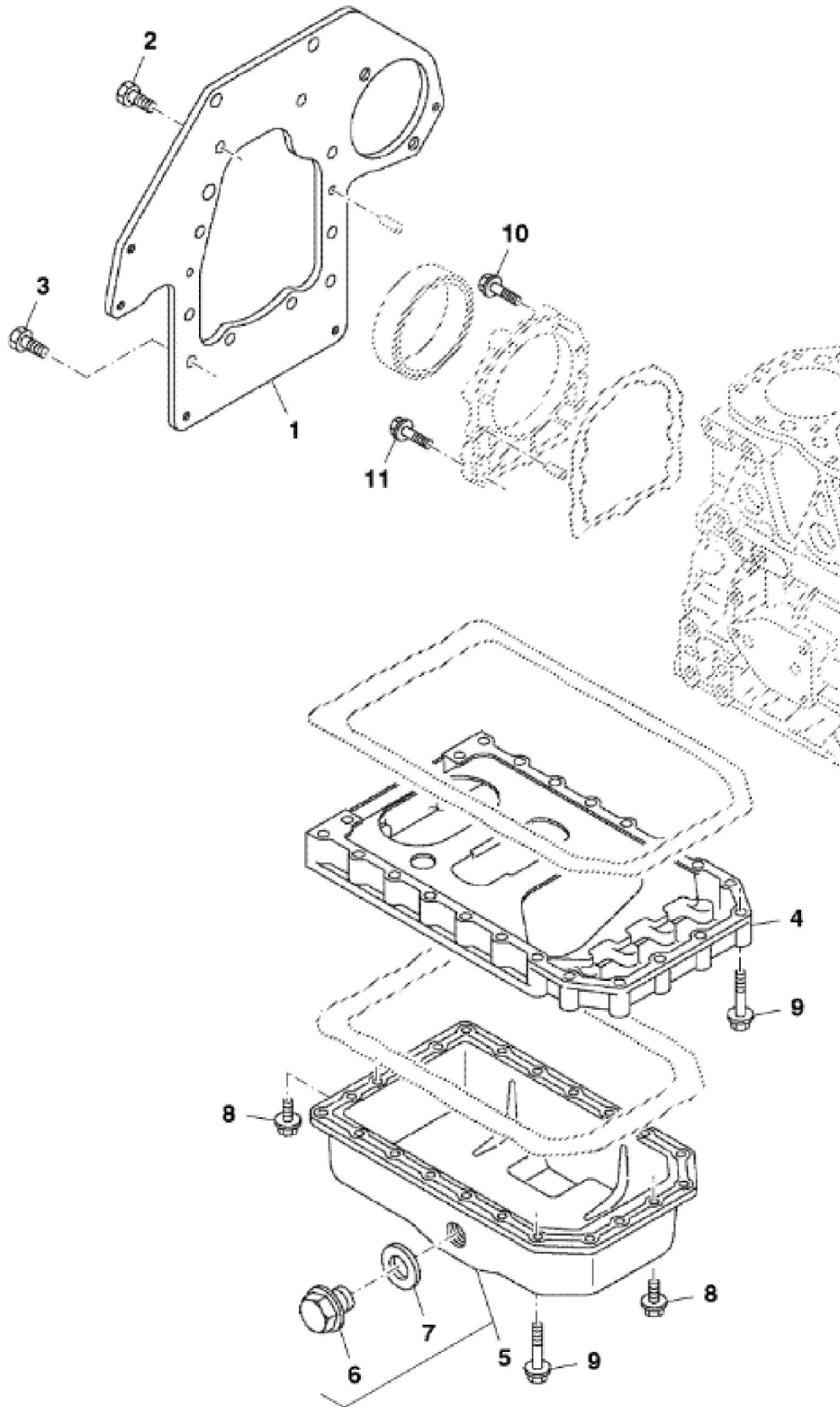
Hello dear friend!

Thank you very much for reading.

Enter the link into your browser.

The full manual is available for immediate download.

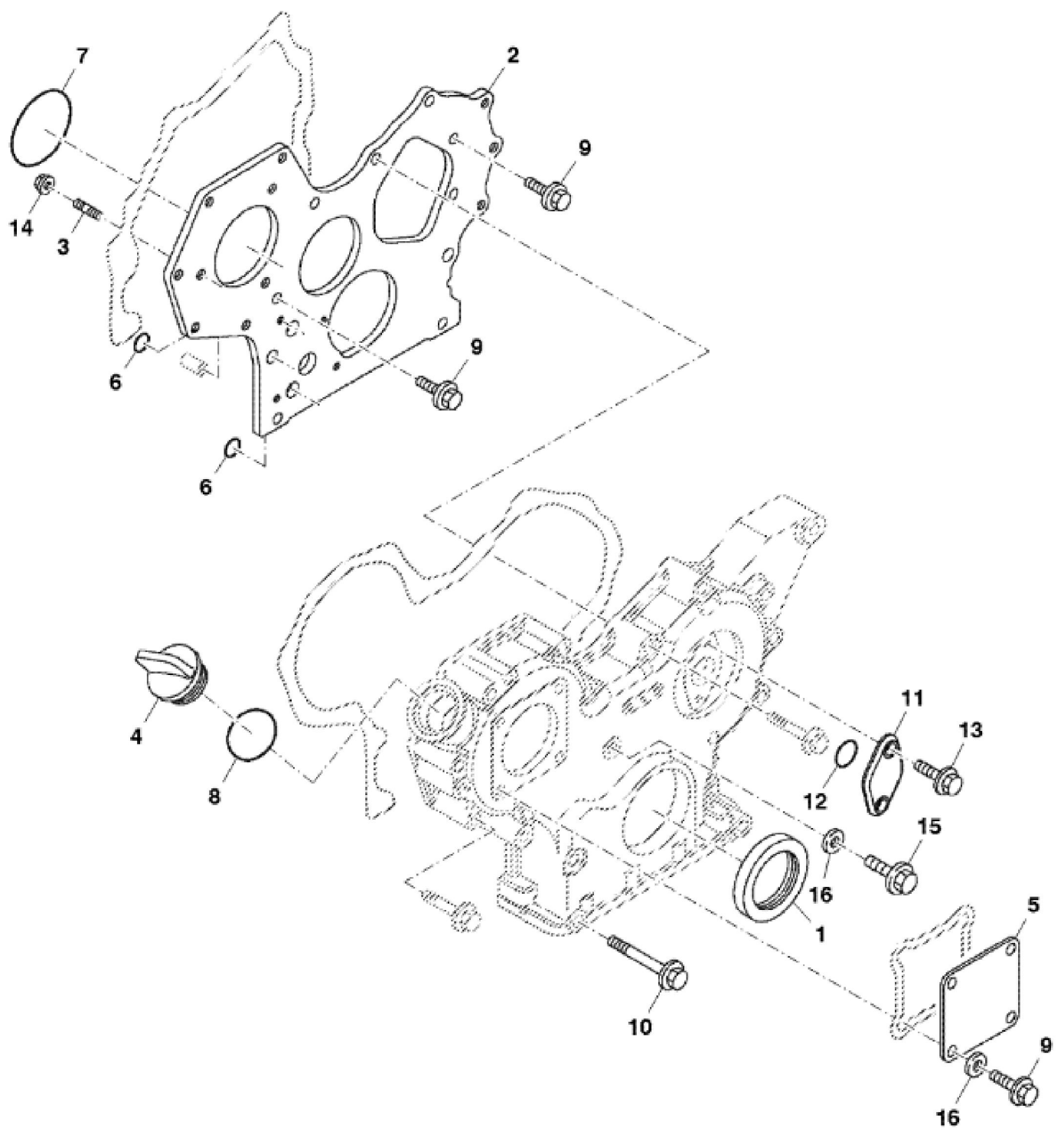
<https://www.ebooklibonline.com>



TCM12207A03

John Deere > Turf And Utility > MOWER, FAIRWAY > 1575 - MOWER, FAIRWAY > 1575 TerrainCut Front Mower (with 60, 62 or 72-inch Deck) > 20 ENGINE, 3TNV82A-BDJME TCM12207 > ST783691 - MOUNTING FLANGE AND OIL SUMP

| KEY | PART NO. | PART NAME | QTY | REMARKS |
|-----|----------|----------------------|-----|------------|
| 1 | M800991 | PLATE | 1 | Back Plate |
| 2 | M800011 | BOLT | 6 | M10 X 20 |
| 3 | M800077 | BOLT | 4 | M10 X 25 |
| 4 | M800996 | INTERMEDIATE HOUSING | 1 | Sump, Oil |
| 5 | AM880835 | OIL PAN | 1 | |
| 6 | M806544 | DRAIN PLUG | 1 | |
| 7 | M806545 | WASHER | 1 | |
| 8 | 19M7865 | SCREW | 6 | M8 X 16 |
| 9 | CH19101 | BOLT | 22 | |
| 10 | M808308 | BOLT | 6 | |
| 11 | 19M7897 | SCREW | 3 | M8 X 35 |



TCM12207A02



Suggest:

For more complete manuals. Please go to the home page.

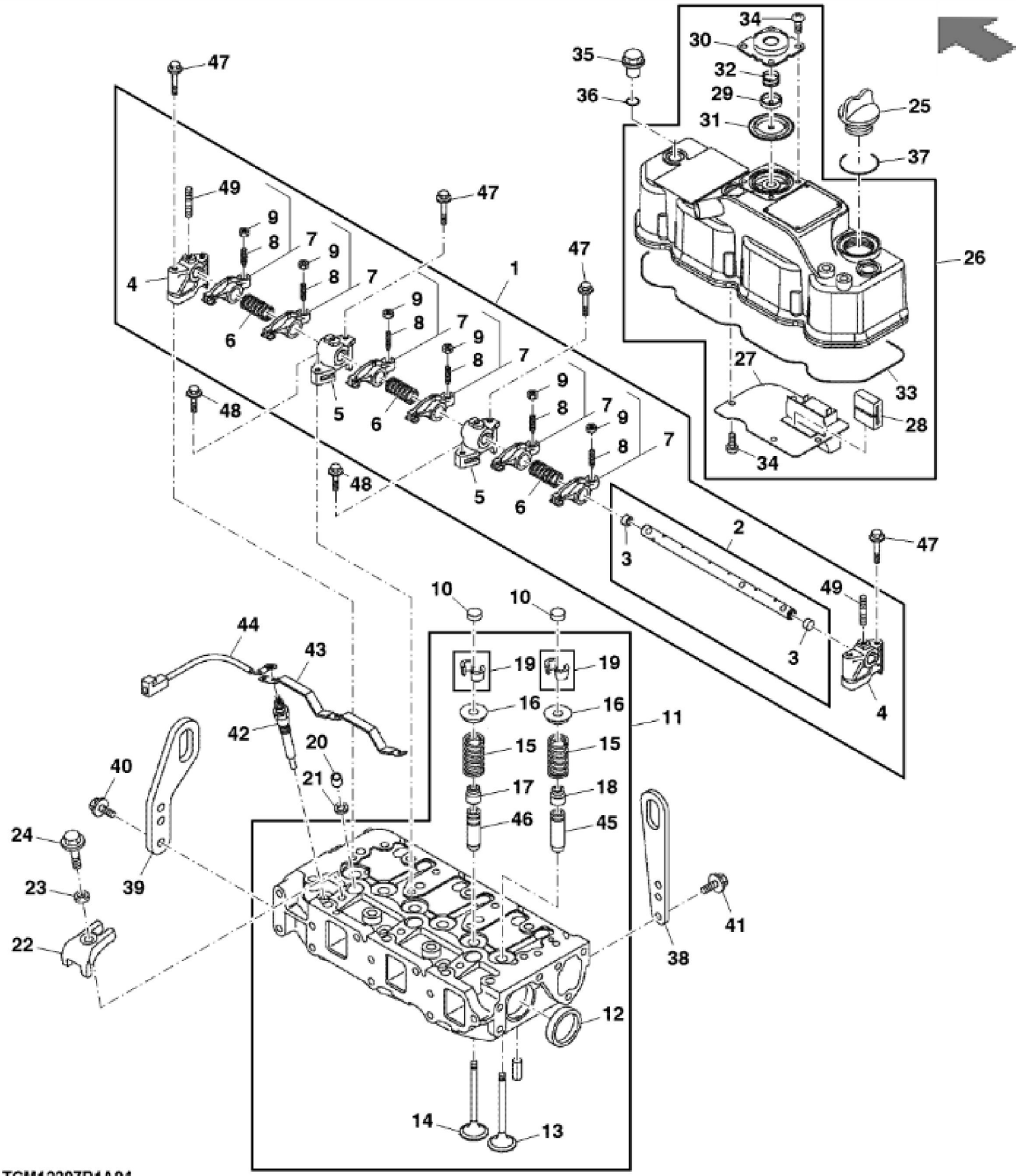
<https://www.ebooklibonline.com>

If the above button click is invalid. Please download this document first, and then click the above link to download the complete manual.

Thank you so much for reading

John Deere > Turf And Utility > MOWER, FAIRWAY > 1575 - MOWER, FAIRWAY > 1575 TerrainCut Front Mower (with 60, 62 or 72-inch Deck) > 20 ENGINE, 3TNV82A-BDJME TCM12207 > ST784175 - GEAR HOUSING

| KEY | PART NO. | PART NAME | QTY | REMARKS |
|-----|-----------|------------|-----|------------|
| 1 | M811078 | SEAL | 1 | |
| 2 | MIU800874 | FLANGE | 1 | Gear Case |
| 3 | MIU800440 | STUD | 3 | M8X25 |
| 4 | M805710 | CAP | 1 | Oil Fill |
| 5 | CH18096 | COVER | 1 | |
| 6 | M810185 | O-RING | 2 | |
| 7 | CH16940 | O-RING | 1 | |
| 8 | M805711 | PACKING | 1 | |
| 9 | 19M7865 | SCREW | 7 | M8 X 16 |
| 10 | CH19136 | BOLT | 3 | |
| 11 | MIU800476 | COVER | 1 | Tachometer |
| 12 | CH13526 | PACKING | 1 | |
| 13 | 19M7775 | SCREW | 2 | M6 X 16 |
| 14 | 14M7298 | FLANGE NUT | 4 | M8 |
| 15 | 19M7868 | SCREW | 1 | M8 X 30 |
| 16 | M803523 | WASHER | 5 | |



TCM12207R1A04

<https://www.ebooklibonline.com>

Hello dear friend!

Thank you very much for reading.

Enter the link into your browser.

The full manual is available for immediate download.

<https://www.ebooklibonline.com>