

TCM12207A01

CYLINDER BLOCK

KEY	PART NO.	PART NAME	QTY	REMARKS	
1	MIA880848	CYLINDER BLOCK	1		
2	M809565	DRAIN PLUG	1		
3	CH10335	PLUG	3		
4	15H562	PIPE PLUG	1	1"	
5	M87879	BOLT	8		
6	MIU800573	BUSHING	1	Camshaft	
7	M87801	PLUG	2		
8	30M7023	PLUG	6		
9	M802255	PIN	4		
10	M800974	PIPE	2		
11	AM882419	THRUST BEARING	2		
11	MIA880557	BEARING	2	0.25 OS	
12	MIU800797	SHAFT	1	Idle Gear	
13	CH18079	SPRING PIN	2		
14	M800970	BOLT	14		
15	M810048	ENGINE CYLINDER HEAD GASKET	1		
16	MIA880559	BEARING	4	Main Assembly	
16	MIA880549	BEARING	4	0.25 US	
17	CH10314	PLUG	1		

<https://www.ebooklibonline.com>

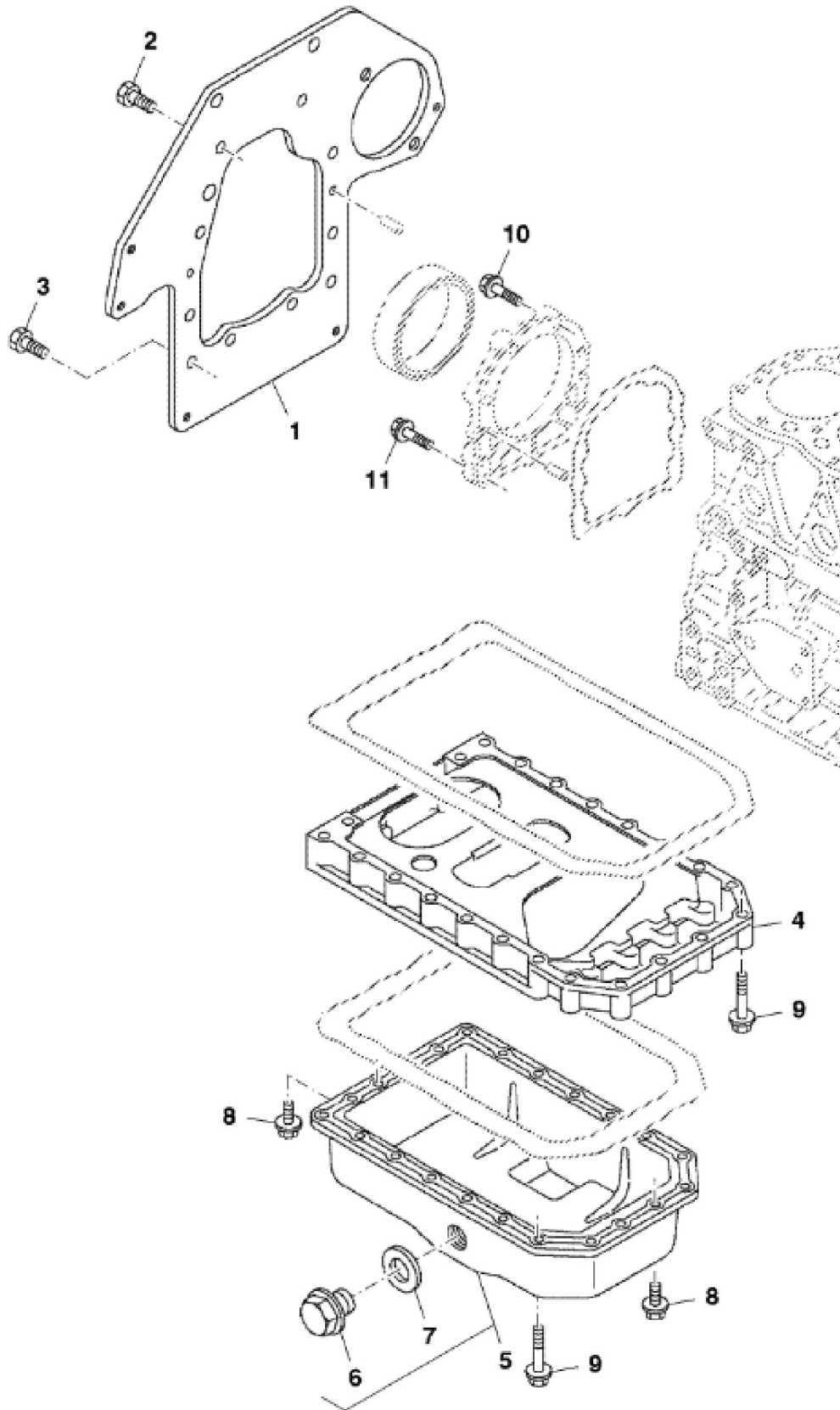
Hello dear friend!

Thank you very much for reading.

Enter the link into your browser.

The full manual is available for immediate download.

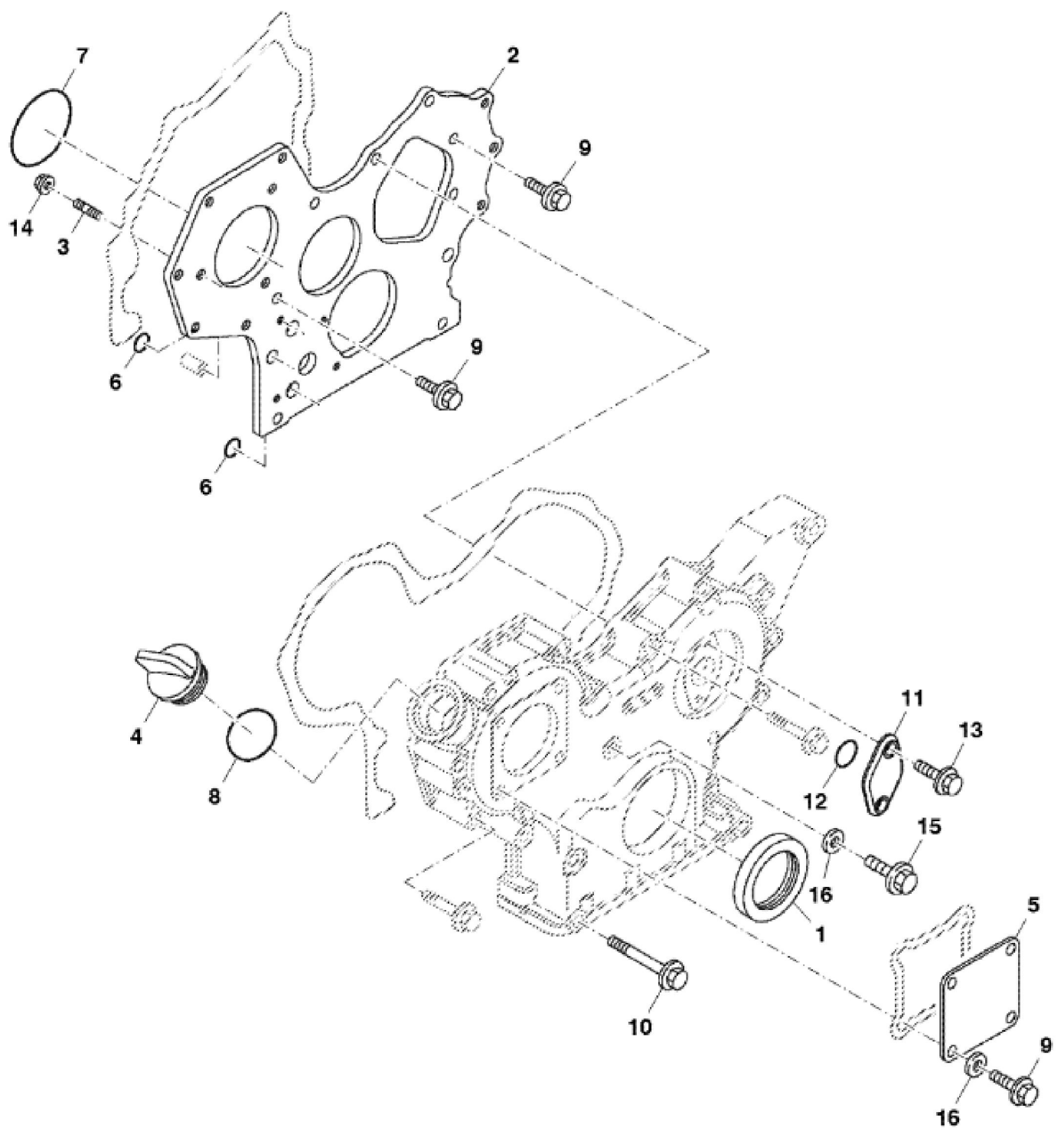
<https://www.ebooklibonline.com>



TCM12207A03

John Deere > Turf And Utility > MOWER, FAIRWAY > 1570 - MOWER, FAIRWAY > 1570 TerrainCut Front Mower (with 60, 62 or 72-inch Deck) > 20 ENGINE, 3TNV82A-BDJME TCM12207 > ST783691 - MOUNTING FLANGE AND OIL SUMP

KEY	PART NO.	PART NAME	QTY	REMARKS
1	M800991	PLATE	1	Back Plate
2	M800011	BOLT	6	M10 X 20
3	M800077	BOLT	4	M10 X 25
4	M800996	INTERMEDIATE HOUSING	1	Sump, Oil
5	AM880835	OIL PAN	1	
6	M806544	DRAIN PLUG	1	
7	M806545	WASHER	1	
8	19M7865	SCREW	6	M8 X 16
9	CH19101	BOLT	22	
10	M808308	BOLT	6	
11	19M7897	SCREW	3	M8 X 35



TCM12207A02



Suggest:

For more complete manuals. Please go to the home page.

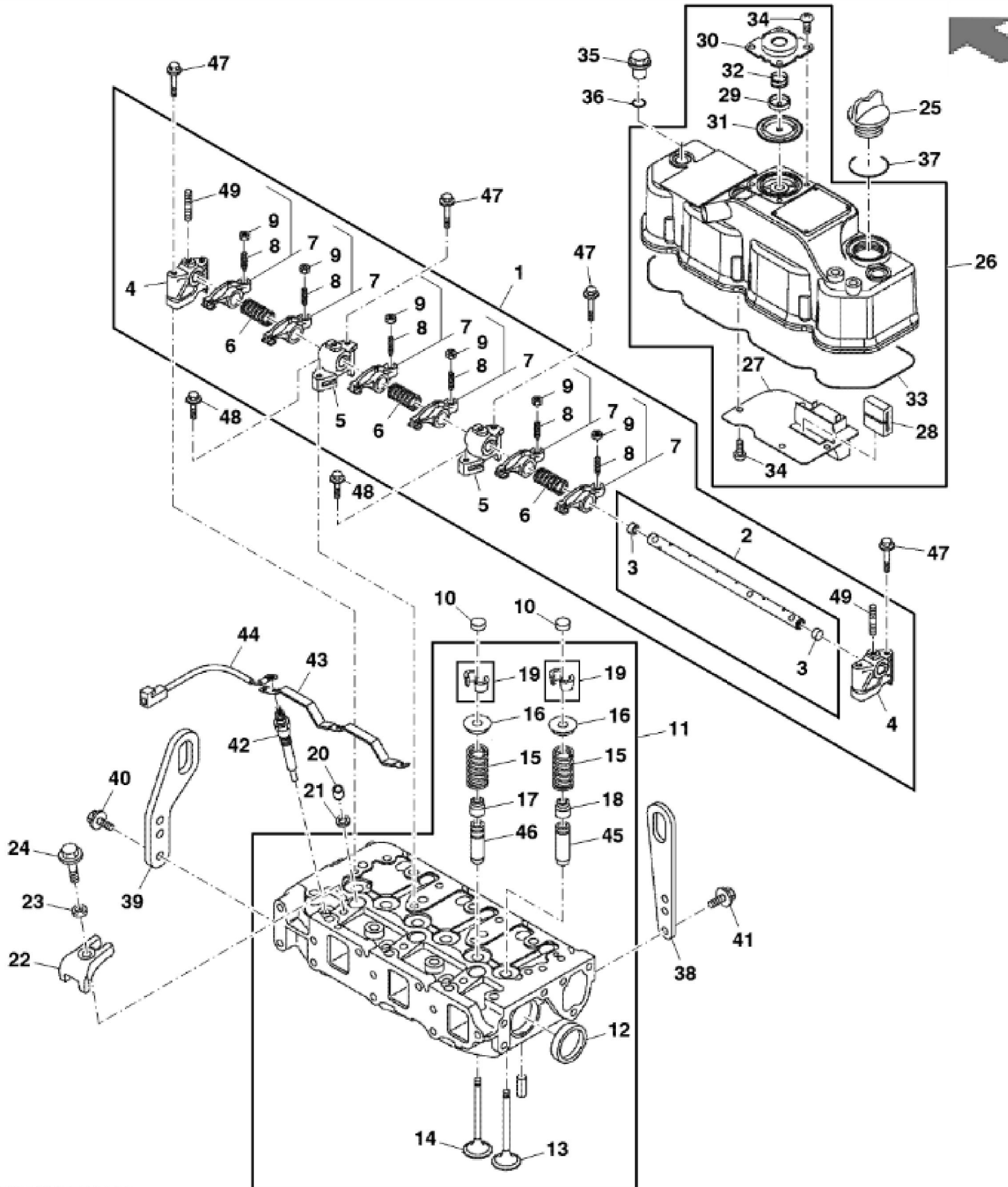
<https://www.ebooklibonline.com>

If the above button click is invalid. Please download this document first, and then click the above link to download the complete manual.

Thank you so much for reading

John Deere > Turf And Utility > MOWER, FAIRWAY > 1570 - MOWER, FAIRWAY > 1570 TerrainCut Front Mower (with 60, 62 or 72-inch Deck) > 20 ENGINE, 3TNV82A-BDJME TCM12207 > ST784175 - GEAR HOUSING

KEY	PART NO.	PART NAME	QTY	REMARKS
1	M811078	SEAL	1	
2	MIU800874	FLANGE	1	Gear Case
3	MIU800440	STUD	3	M8X25
4	M805710	CAP	1	Oil Fill
5	CH18096	COVER	1	
6	M810185	O-RING	2	
7	CH16940	O-RING	1	
8	M805711	PACKING	1	
9	19M7865	SCREW	7	M8 X 16
10	CH19136	BOLT	3	
11	MIU800476	COVER	1	Tachometer
12	CH13526	PACKING	1	
13	19M7775	SCREW	2	M6 X 16
14	14M7298	FLANGE NUT	4	M8
15	19M7868	SCREW	1	M8 X 30
16	M803523	WASHER	5	



TCM12207R1A04

<https://www.ebooklibonline.com>

Hello dear friend!

Thank you very much for reading.

Enter the link into your browser.

The full manual is available for immediate download.

<https://www.ebooklibonline.com>