

| KEY | PART NO.  | PART NAME            | QTY | REMARKS                               |  |
|-----|-----------|----------------------|-----|---------------------------------------|--|
| 1   | M811805   | PLUG                 | 4   |                                       |  |
| 2   | M809593   | PLUG                 | 1   |                                       |  |
| 3   | M811807   | PLUG                 | 3   |                                       |  |
| 4   | M87879    | BOLT                 | 8   | Main Bearing Cap                      |  |
| 5   | AM882418  | BEARING              | 4   |                                       |  |
| 5   | MIA880551 | BEARING              | 4   |                                       |  |
| 6   | MIU800572 | CAMSHAFT             | 1   | Camshaft                              |  |
| 7   | CH10314   | PLUG                 | 1   |                                       |  |
| 8   | M800970   | BOLT                 | 14  | Cylinder Head                         |  |
| 9   | MIA882331 | GASKET KIT           | 1   |                                       |  |
| 10  | CH10335   | PLUG                 | 1   |                                       |  |
| 11  | M87801    | PLUG                 | 1   |                                       |  |
| 12  | AM882419  | THRUST BEARING       | 2   |                                       |  |
| 12  | MIA880557 | BEARING              | 2   |                                       |  |
| 14  | MIA884539 | SHORT BLOCK ASSEMBLY | 1   | (Not Illustrated) MARKED B-3TNV80F-J1 |  |

**<https://www.ebooklibonline.com>**

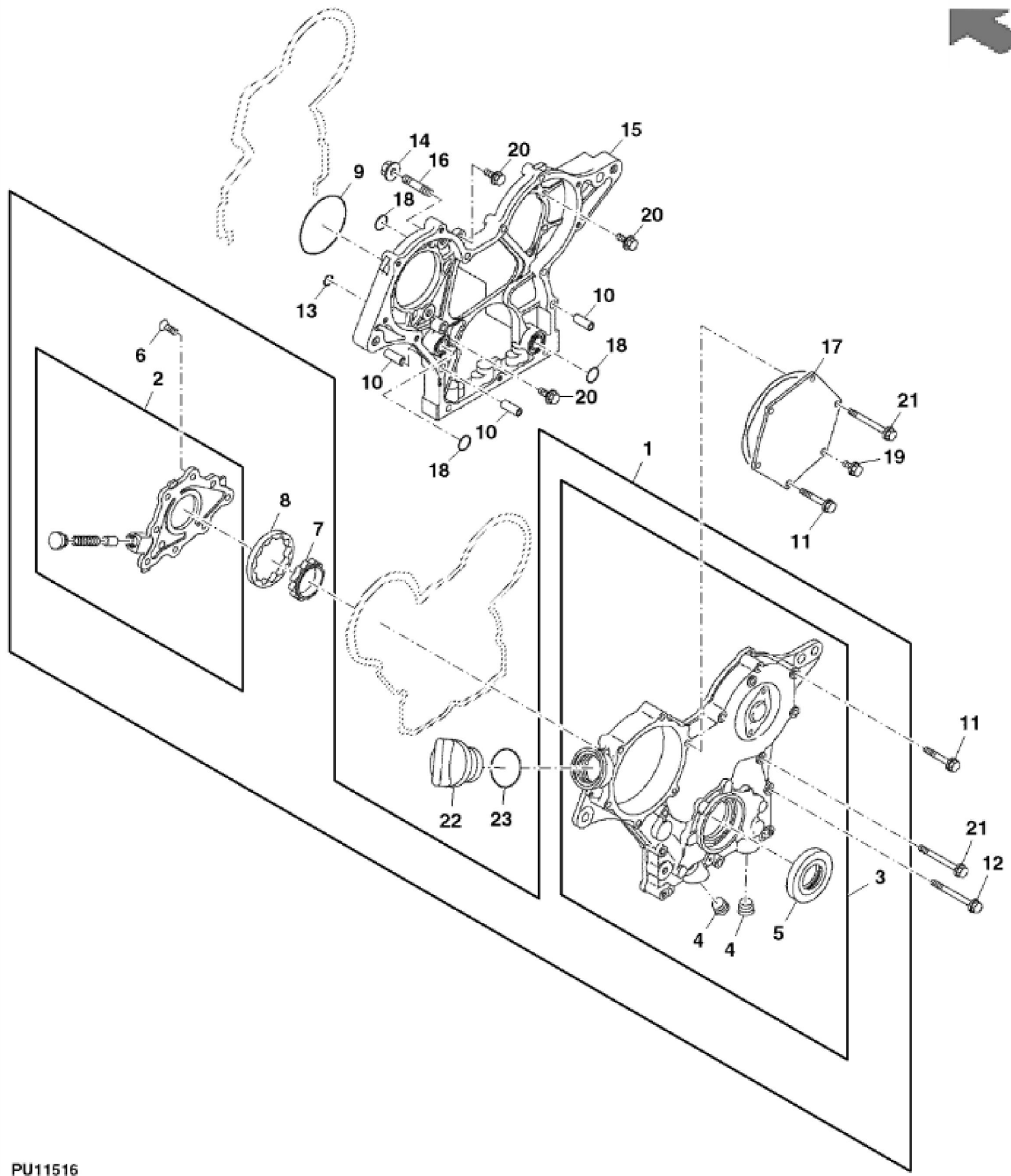
Hello dear friend!

Thank you very much for reading.

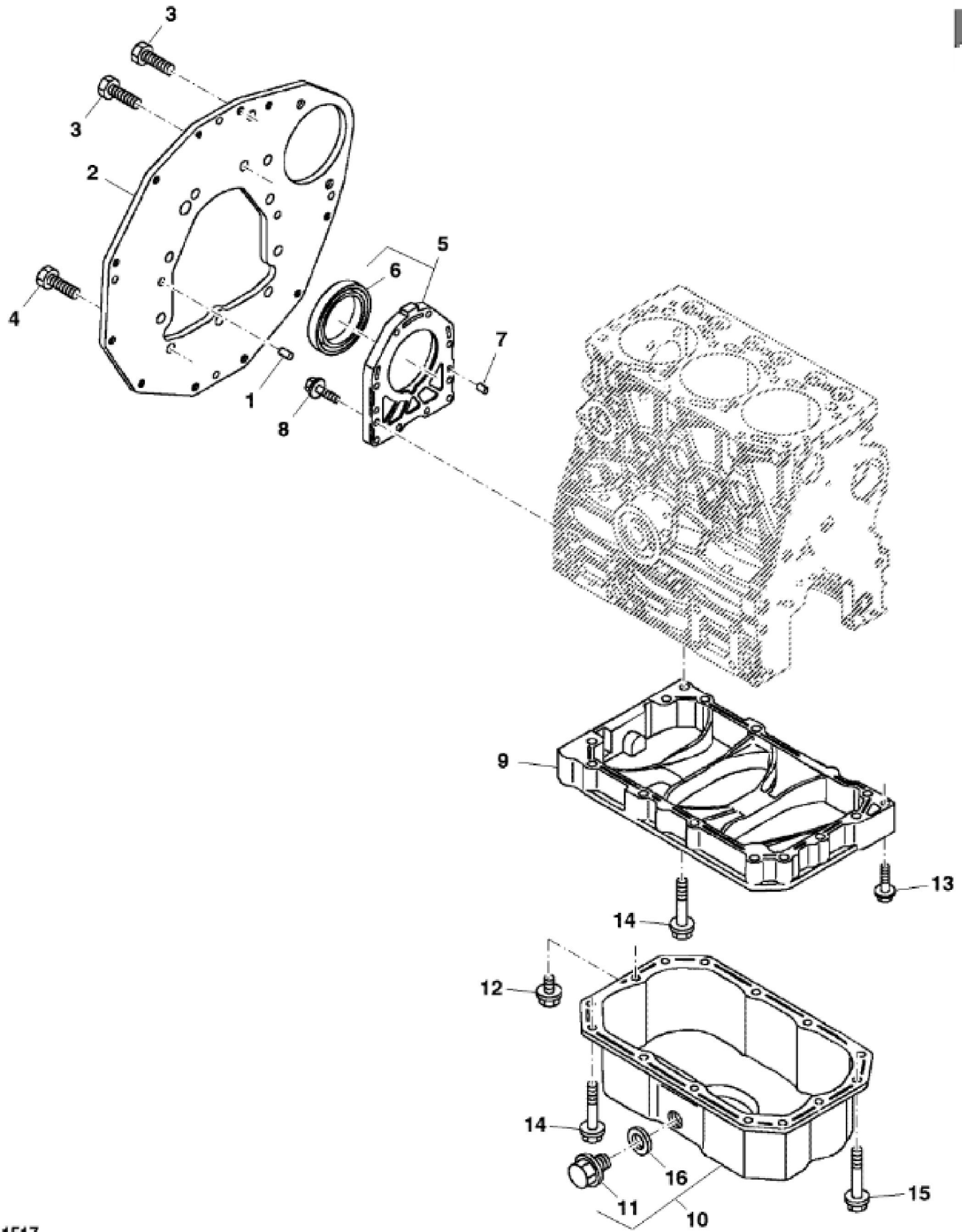
Enter the link into your browser.

The full manual is available for immediate download.

**<https://www.ebooklibonline.com>**



| KEY | PART NO. | PART NAME  | QTY | REMARKS     |  |
|-----|----------|------------|-----|-------------|--|
| 1   | AM882445 | COVER      | 1   | Gear Case   |  |
| 2   | AM882435 | COVER      | 1   | Oil Pump    |  |
| 3   | AM882469 | COVER      | 1   | Gear Case   |  |
| 4   | M806938  | PLUG       | 2   |             |  |
| 5   | M811563  | SEAL       | 1   | Oil         |  |
| 6   | M811061  | SCREW      | 8   |             |  |
| 7   | M811888  | ROTOR      | 1   | Inner       |  |
| 8   | M811889  | ROTOR      | 1   | Outer       |  |
| 9   | CH16940  | O-RING     | 1   |             |  |
| 10  | M800006  | DOWEL PIN  | 4   |             |  |
| 11  | 19M7797  | SCREW      | 7   | M6 X 40     |  |
| 12  | M800065  | BOLT       | 2   | M6 X 65     |  |
| 13  | M809204  | O-RING     | 1   |             |  |
| 14  | 14M7298  | FLANGE NUT | 3   | M8          |  |
| 15  | M811816  | GEAR CASE  | 1   |             |  |
| 16  | M811820  | STUD       | 3   |             |  |
| 17  | M811823  | COVER      | 1   | Pump Timing |  |
| 18  | M811885  | O-RING     | 3   |             |  |
| 19  | 19M7774  | SCREW      | 1   | M6 X 12     |  |
| 20  | 19M7775  | SCREW      | 4   | M6 X 16     |  |
| 21  | M89120   | BOLT       | 7   | M6 X 60     |  |
| 22  | M805710  | CAP        | 1   | Oil Fill    |  |
| 23  | M805711  | PACKING    | 1   |             |  |



PU11517



**Suggest:**

**For more complete manuals. Please go to the home page.**

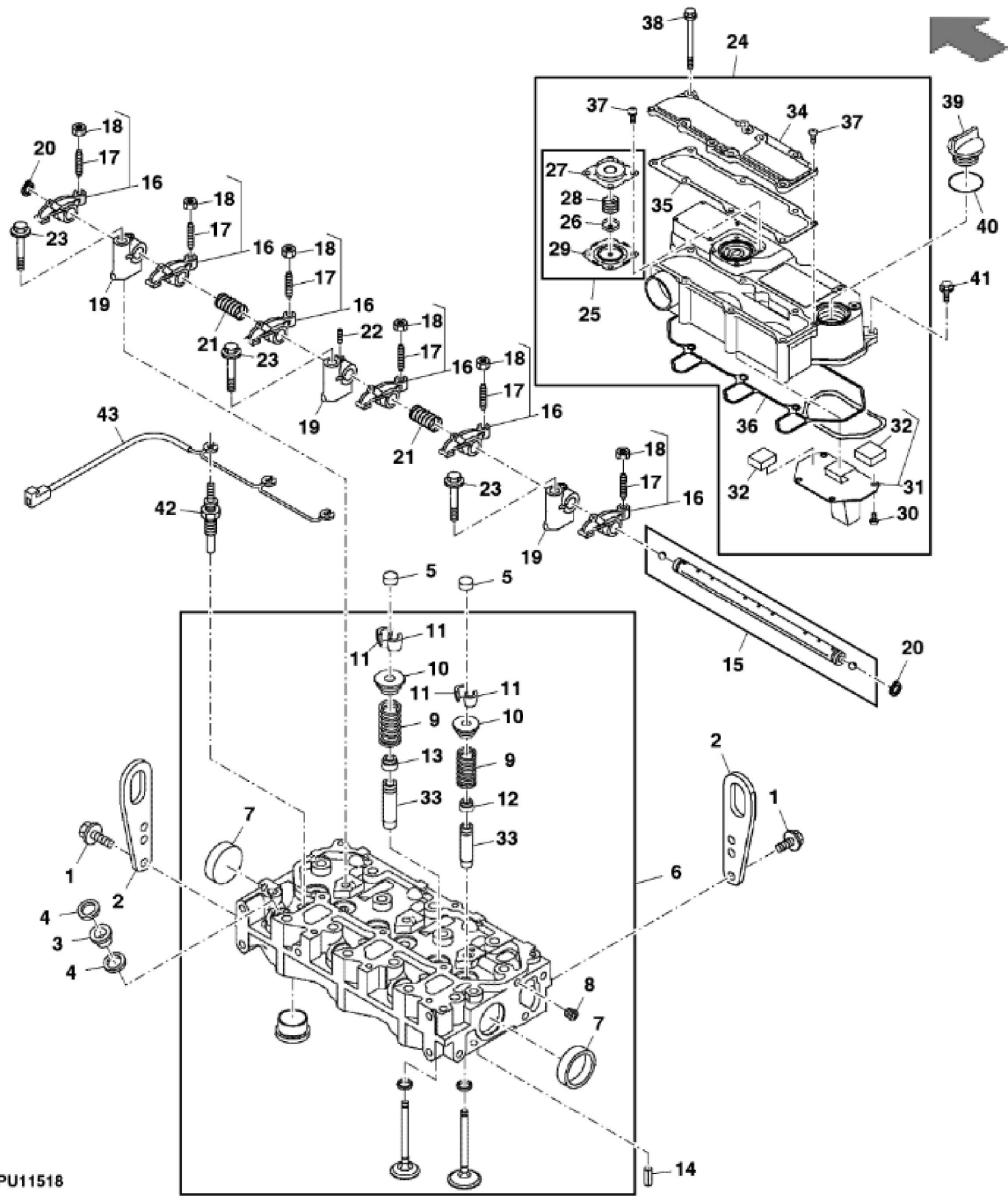
**<https://www.ebooklibonline.com>**

**If the above button click is invalid. Please download this document first, and then click the above link to download the complete manual.**

**Thank you so much for reading**

John Deere > Turf And Utility > MOWER, FAIRWAY > 1550 - MOWER, FAIRWAY > 1550 TerrainCut Front Mower (with 60, 62 or 72-inch Deck) > 20 ENGINE TCM12745 > ST785573 - MOUNTING FLANGE AND OIL SUMP

| KEY | PART NO.  | PART NAME | QTY | REMARKS           |
|-----|-----------|-----------|-----|-------------------|
| 1   | M802255   | PIN       | 2   |                   |
| 2   | MIU800256 | FLANGE    | 1   | Mounting          |
| 3   | M800011   | BOLT      | 8   |                   |
| 4   | M800077   | BOLT      | 3   |                   |
| 5   | AM882411  | CASE      | 1   | Oil Seal Assembly |
| 6   | M801941   | SEAL      | 1   |                   |
| 7   | M802254   | PIN       | 2   |                   |
| 8   | M87826    | BOLT      | 10  |                   |
| 9   | M811822   | SPACER    | 1   | Oil Sump          |
| 10  | MIA880257 | RESERVOIR | 1   |                   |
| 11  | T111565   | PLUG      | 1   | Drain             |
| 12  | 19M7864   | SCREW     | 1   | M8 X 12           |
| 13  | 19M7868   | SCREW     | 1   | M8 X 30           |
| 14  | CH19101   | BOLT      | 11  | M8 X 45           |
| 15  | 19M7800   | SCREW     | 3   | M8 X 50           |
| 16  | M811568   | WASHER    | 1   |                   |



PU11518

**<https://www.ebooklibonline.com>**

Hello dear friend!

Thank you very much for reading.

Enter the link into your browser.

The full manual is available for immediate download.

**<https://www.ebooklibonline.com>**