

ENGINE GU10073 >ST643946 - CRANKCASE

KEY	PART NO.	PART NAME	QTY	Serial No.	REMARKS
1	LG691655	CAP SCREW	1		NLA; SUB FOR LG93808 OR LG94626
2	LG690492	SCREEN	1		(SUB FOR LG224948)
3	LG691058	BOLT	2		(SUB FOR LG94627)
4	LG690452	RETAINER	1		(SUB FOR LG224413)
5	M145401	FAN	1		NLA(SUB FOR LG281400 AND LG691927)
6	LG691323	SPACER	1		(SUB FOR LG280848)
7	LG225136	WASHER	3		
8	LG222561	SPACER	1		
9	LG693557	FLYWHEEL	1		(SUB FOR LG492326 OR LG690222)
10	AM133624	RING GEAR	1		(SUB FOR LG399676)
11	LG693109	SCREW	4		
12	LG693148	NUT	4		
13	LG691265	SNAP RING	1		STARTER GEAR
14	M150236	GEAR	1		STARTER, (SUB FOR LG693059)
15	LG690959	DOWEL PIN	1		(SUB FOR LG230192)
16	LG399265	BEARING	1		NLA; ORDER MIA11778
16	MIA11778	SEAL KIT	1		
17	LG391086S	SEAL	1		(SUB FOR LG391086)
18	LG491986	BUSHING KIT	1		NLA; Governor Shaft Bushing
19	LG692407	SEAL	1		(SUB FOR LG491323)
20	LG496412	CRANKCASE	1		NLA
21	LG692125	CAP SCREW	1		(SUB FOR LG94624 OR LG95187)
22	15H623	DRAIN PLUG	1		(SUB FOR LG94239 AND LG690946)
23	LG291675S	SEAL	1		(SUB FOR LG291675)
24	LG692226	GASKET	1		.38 MM (.015"), (SUB FOR LG271916)
24	LG692406	GASKET	1		.13 MM (.005"), (SUB FOR LG271997)
24	LG692405	GASKET	1		.23 MM (.009"), (SUB FOR LG271996)
25	LG494238	RESERVOIR	1		
26	19M7798	SCREW	2		M8 X 40, (ENGINE MOUNTING)
26	19M7897	SCREW	2		M8 X 35, (ENGINE MOUNTING)
27	24H1621	WASHER	2		11/32" X 1" X 0.220", (ENGINE MOUNTING)
28	TY22562	BULK HOSE	AR		
29	AM119686	DRAIN VALVE	1		
30	KIT	1		BUSHING/SEAL, (SUB LG291675S)

<https://www.ebooklibonline.com>

Hello dear friend!

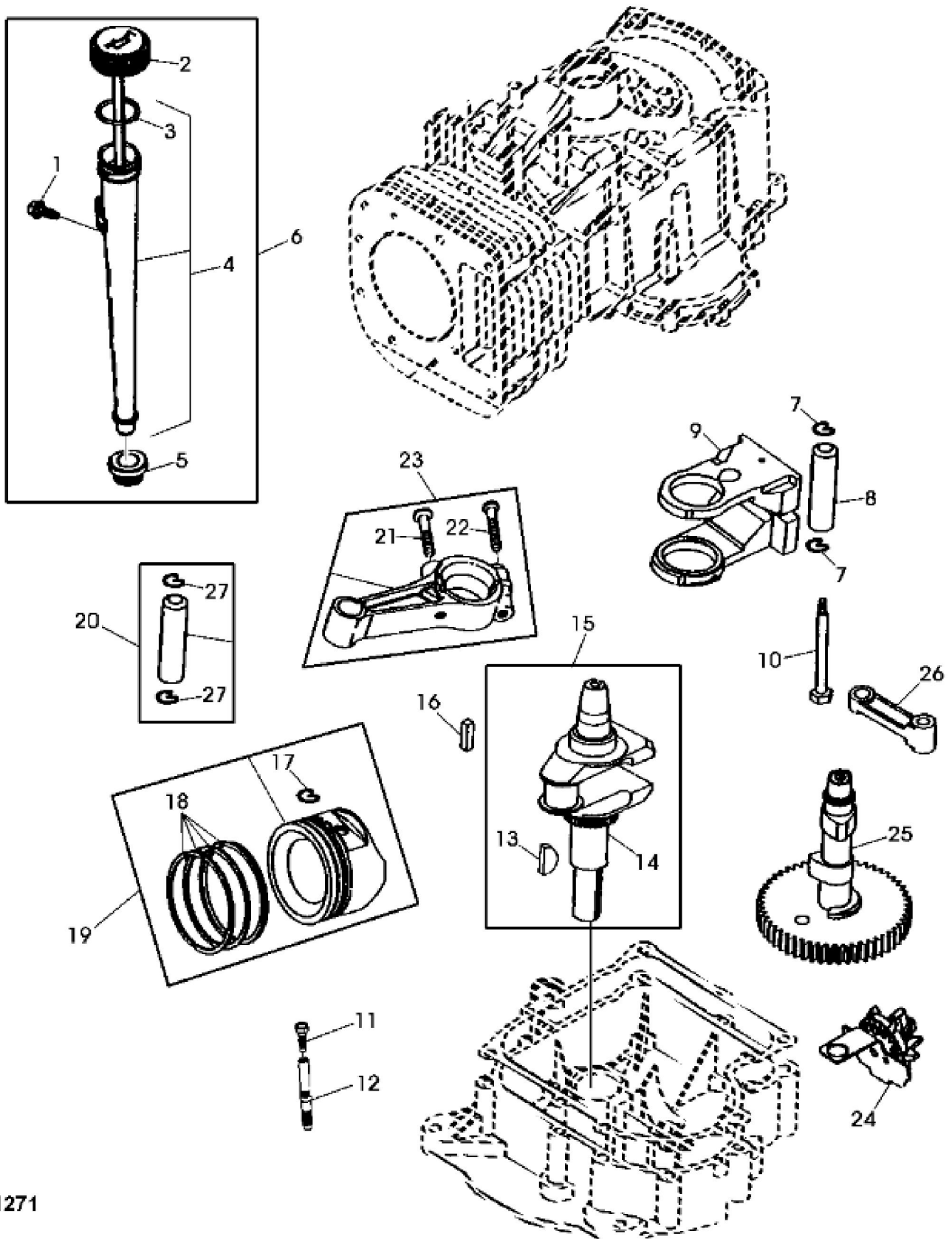
Thank you very much for reading.

Enter the link into your browser.

The full manual is available for immediate download.

<https://www.ebooklibonline.com>

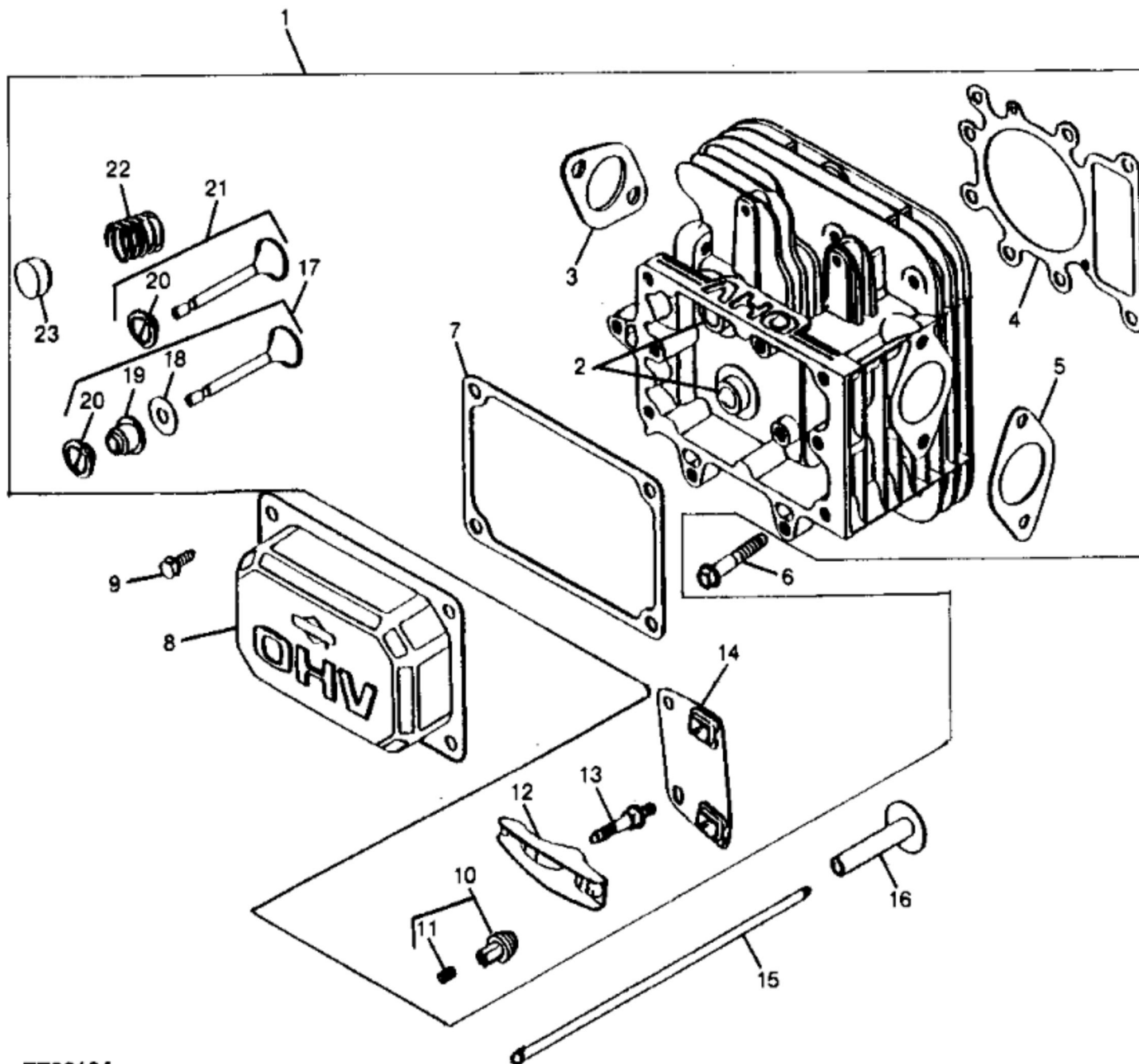
KEY	PART NO.	PART NAME	QTY	Serial No.	REMARKS
31	LG291675S	SEAL	1		
32	LG691328	TUBE	1		BREATHER, (SUB FOR LG281246)
33	LG495735	BREATHER	1		
34	LG27803S	GASKET	1		(SUB FOR LG27803)
35	LG691666	CAP SCREW	1		(SUB FOR LG94621)
..	LG496758	LABEL KIT	1		ENGINE
..	28N7071135	GASOLINE ENGINE	1		(SUB FOR 2877071274E1, 28N7071026E1 AND 28N7071036E1) (SUB AM135275)
..	GY00067	GASOLINE ENGINE	1	120408-_____	(CARB. CERTIFIED) (SUB AM135275)
..	AM135275	SHORT BLOCK ASSEMBLY	1		(SUB FOR AM134049)



PU01271

KEY	PART NO.	PART NAME	QTY	Serial No.	REMARKS
1	37H73	SCREW	1		
2	LG692014	FILLER CAP	1		NLA; (SUB FOR LG495230)
3	LG691870	SEAL	1		(SUB FOR LG270920)
4	LG691398	TUBE	1		NLA; OIL FILLER, (SUB FOR LG496113)
5	LG281370S	SEAL	1		(SUB FOR LG281370)
6	LG496415	TUBE	1		NLA; OIL FILLER (COMPLETE)
7	LG691588	PISTON PIN	1		(2 PER PKG), (SUB FOR LG26026)
8	LG298909	PIN	1		COUNTERWEIGHT
9	LG692423	COUNTERWEIGHT	1		(SUB FOR LG399891 OR LG499994)
10	LG691096	CAP SCREW	1		(SUB FOR LG94593)
11	M153303	SCREW	1		(SUB FOR LG691658)
12	LG691779	EXTENSION	1		CRANKSHAFT
13	LG691639	KEY	1		TIMING GEAR, (SUB FOR LG94196)
14	LG691284	GEAR	1		TIMING, (SUB FOR LG262932)
15	AM129705	CRANKSHAFT	1		(SUB FOR LG498971) (INCLUDES LG692423)
16	LG222698S	SHAFT KEY	1		FLYWHEEL, (SUB FOR LG222698)
17	LG691792	LOCK	1		PISTON PIN, (SUB FOR LG260924)
18	LG495854	PISTON RING KIT	1		STD
18	LG495851	PISTON RING KIT	1		.50 MM (.020") OS
18	LG499998	RING KIT	1		.50 MM (.020") OS, NLA
19	LG499284	PISTON REPLACEMENT KIT	1		STD
19	LG499292	PISTON	1		.50 MM (.020") OS, NLA; (SUB FOR LG495978)
20	LG498319	PISTON PIN	1		(SUB FOR LG299691)
21	LG690352	CAP SCREW	1		NLA; SUB FOR LG94648 OR LG690348
22	LG690356	SCREW	1		48 MM (1-57/64"), (SUB FOR LG94695)
23	LG494504S	CONNECTING ROD	1		STD, (SUB FOR LG494504)
23	LG495490	CONNECTING ROD	1		.50 MM (.020") US, NLA
23	M144310	CONNECTING ROD	1	120408-_____	ENGINE MARKED 28N7071026E1, 28N7071036E1, 28N7071135E1
24	LG691968	GEAR	1		GOVERNOR, (SUB FOR LG490815)
25	AM135141	CAMSHAFT	1		(INCLUDES (2) LG690564) (SUB FOR LG496884 OR LG692421 OR M150105)
26	LG691714	LINK	1		COUNTERWEIGHT

KEY	PART NO.	PART NAME	QTY	Serial No.	REMARKS	
27	LG691792	LOCK	2		PISTON PIN, (USE WITH LG299691) (SUB FOR LG260924)	
27	LG691299	LOCK	2		PISTON PIN, (USE WITH LG498319)	



TT00104



Suggest:

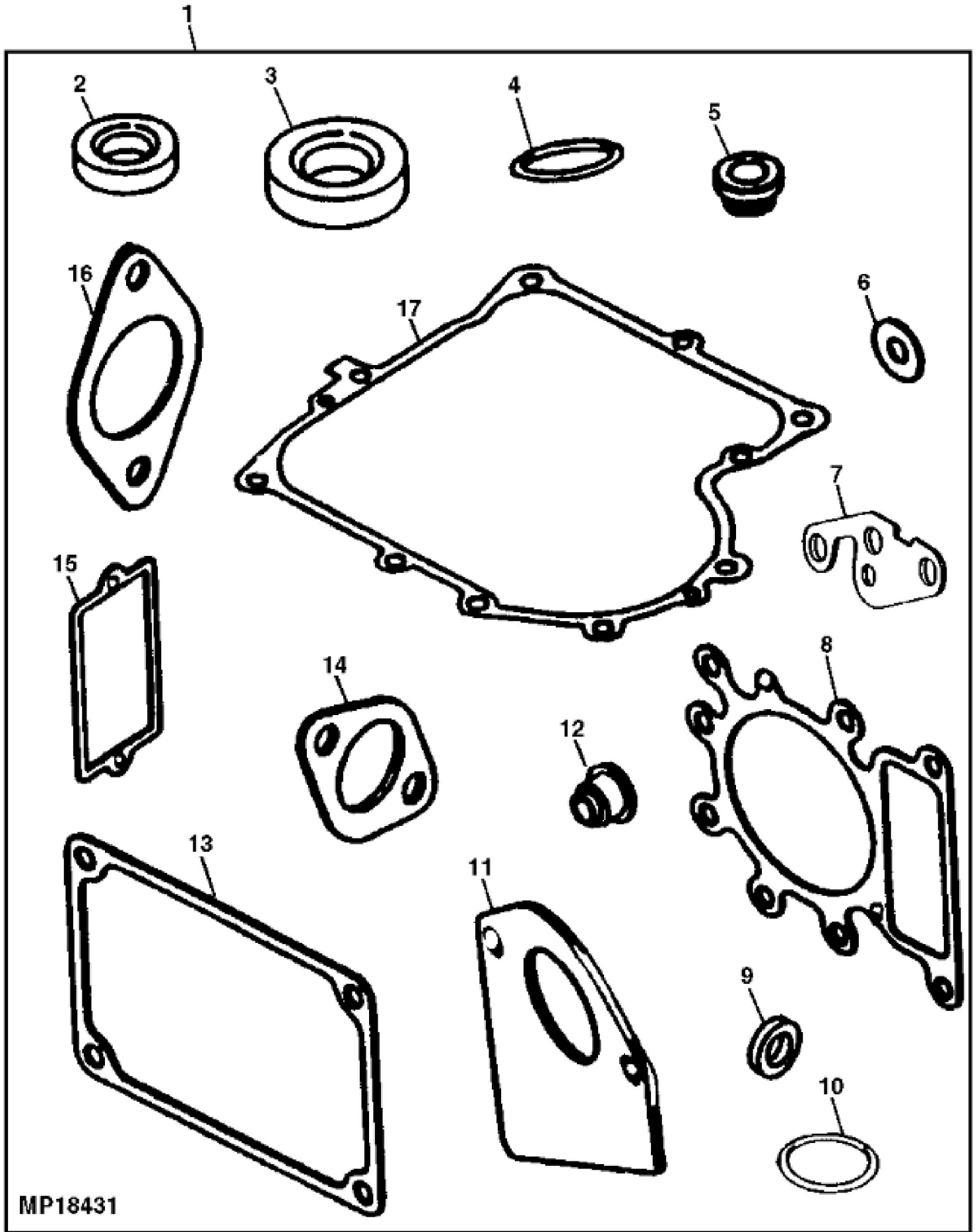
For more complete manuals. Please go to the home page.

<https://www.ebooklibonline.com>

If the above button click is invalid. Please download this document first, and then click the above link to download the complete manual.

Thank you so much for reading

KEY	PART NO.	PART NAME	QTY	REMARKS
1	LG691165	CYLINDER HEAD	1	(SUB FOR LG495858)
2	LG690969	BUSHING	2	(NLA) (SUB FOR LG262835) (SUB LG691165)
3	LG692236	GASKET	1	(A) (SUB FOR LG272293)
4	MIU11490	ENGINE CYLINDER HEAD GASKET	1	(A) (SUB FOR LG273280S OR M150400)
5	LG272569S	GASKET	1	(A) (SUB FOR LG272569)
6	LG690360	SCREW	1	(SUB FOR LG94728)
7	LG272475S	GASKET	1	(A) (SUB FOR LG272475)
8	LG691192	VALVE COVER	1	(SUB FOR LG224552)
9	37H73	SCREW	4	(SUB FOR LG94786 OR LG692198)
10	LG691986	ADJUSTER	1	(SUB FOR LG492160)
11	SET SCREW	1	
12	LG691751	ROCKER ARM	1	(SUB FOR LG224554)
13	LG691095	STUD	1	(SUB FOR LG94555)
14	LG690822	GUIDE	2	(SUB FOR LG495248)
15	LG692003	PUSH ROD	1	(INTAKE) (SUB FOR LG494432)
15	LG692011	PUSH ROD	1	(EXHAUST) (SUB FOR LG495136)
16	LG690564	TAPPET	2	(SUB FOR LG262411)
17	MIA10689	INTAKE VALVE	1	(INCLUDES PARTS MARKED (B)) (SUB FOR LG495857 OR M149939)
18	LG691316	GASKET	1	(A) (SUB FOR LG272610)
19	LG690968	SEAL	1	(A) (B) (SUB FOR LG499236 OR LG494435)
20	LG499586	RETAINER	2	(B) (SUB FOR LG224641, LG691752 OR M144618)
21	LG495856	EXHAUST VALVE	1	
22	LG691279	SPRING	2	(SUB FOR LG262811)
23	LG691843	CAP	2	(SUB FOR LG262836)
..	LG495992	CARBURETOR KIT	1	VALVE OVERHAUL (INCLUDES PARTS MARKED (A))



<https://www.ebooklibonline.com>

Hello dear friend!

Thank you very much for reading.

Enter the link into your browser.

The full manual is available for immediate download.

<https://www.ebooklibonline.com>