

KEY	PART NO.	PART NAME	QTY	Serial No.	REMARKS
1	LG691655	CAP SCREW	1		NLA; SUB FOR LG93808 OR LG94626
2	LG690492	SCREEN	1		(SUB FOR LG224948)
3	LG691058	BOLT	2		(SUB FOR LG94627)
4	LG690452	RETAINER	1		(SUB FOR LG224413)
5	M145401	FAN	1		NLA(SUB FOR LG281400 AND LG691927)
6	LG691323	SPACER	1		(SUB FOR LG280848)
7	LG225136	WASHER	3		
8	LG222561	SPACER	1		
9	LG693557	FLYWHEEL	1		(SUB FOR LG492326 OR LG690222)
10	AM133624	RING GEAR	1		(SUB FOR LG399676)
11	LG693109	SCREW	4		
12	LG693148	NUT	4		
13	LG691265	SNAP RING	1		STARTER GEAR
14	M150236	GEAR	1		STARTER, (SUB FOR LG693059)
15	LG690959	DOWEL PIN	1		(SUB FOR LG230192)
16	LG399265	BEARING	1		NLA; ORDER MIA11778
16	MIA11778	SEAL KIT	1		
17	LG391086S	SEAL	1		(SUB FOR LG391086)
18	LG491986	BUSHING KIT	1		NLA; Governor Shaft Bushing
19	LG692407	SEAL	1		(SUB FOR LG491323)
20	LG496412	CRANKCASE	1		NLA
21	LG692125	CAP SCREW	1		(SUB FOR LG94624 OR LG95187)
22	15H623	DRAIN PLUG	1		(SUB FOR LG94239 AND LG690946)
23	LG291675S	SEAL	1		(SUB FOR LG291675)
24	LG692226	GASKET	1		.38 MM (.015"), (SUB FOR LG271916)
24	LG692406	GASKET	1		.13 MM (.005"), (SUB FOR LG271997)
24	LG692405	GASKET	1		.23 MM (.009"), (SUB FOR LG271996)
25	LG494238	RESERVOIR	1		
26	19M7798	SCREW	2		M8 X 40, (ENGINE MOUNTING)
26	19M7897	SCREW	2		M8 X 35, (ENGINE MOUNTING)
27	24H1621	WASHER	2		11/32" X 1" X 0.220", (ENGINE MOUNTING)
28	TY22562	BULK HOSE	AR		
29	AM119686	DRAIN VALVE	1		
30	KIT	1		BUSHING/SEAL, (SUB LG291675S)

<https://www.ebooklibonline.com>

Hello dear friend!

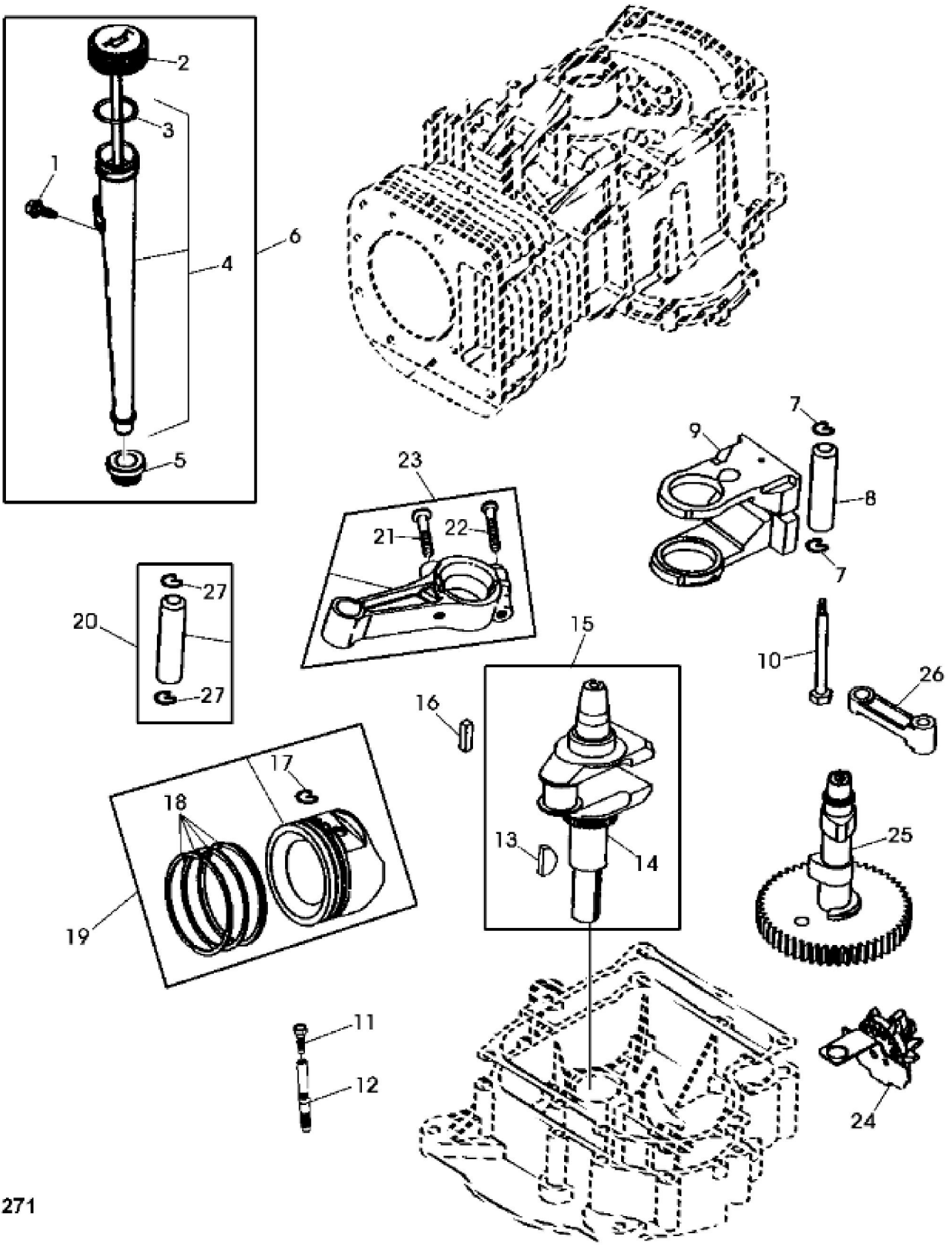
Thank you very much for reading.

Enter the link into your browser.

The full manual is available for immediate download.

<https://www.ebooklibonline.com>

KEY	PART NO.	PART NAME	QTY	Serial No.	REMARKS
31	LG291675S	SEAL	1		
32	LG691328	TUBE	1		BREATHER, (SUB FOR LG281246)
33	LG495735	BREATHER	1		
34	LG27803S	GASKET	1		(SUB FOR LG27803)
35	LG691666	CAP SCREW	1		(SUB FOR LG94621)
..	LG496758	LABEL KIT	1		ENGINE
..	28N7071135	GASOLINE ENGINE	1		(SUB FOR 2877071274E1, 28N7071026E1 AND 28N7071036E1) (SUB AM135275)
..	GY00067	GASOLINE ENGINE	1	120408-_____	(CARB. CERTIFIED) (SUB AM135275)
..	AM135275	SHORT BLOCK ASSEMBLY	1		(SUB FOR AM134049)

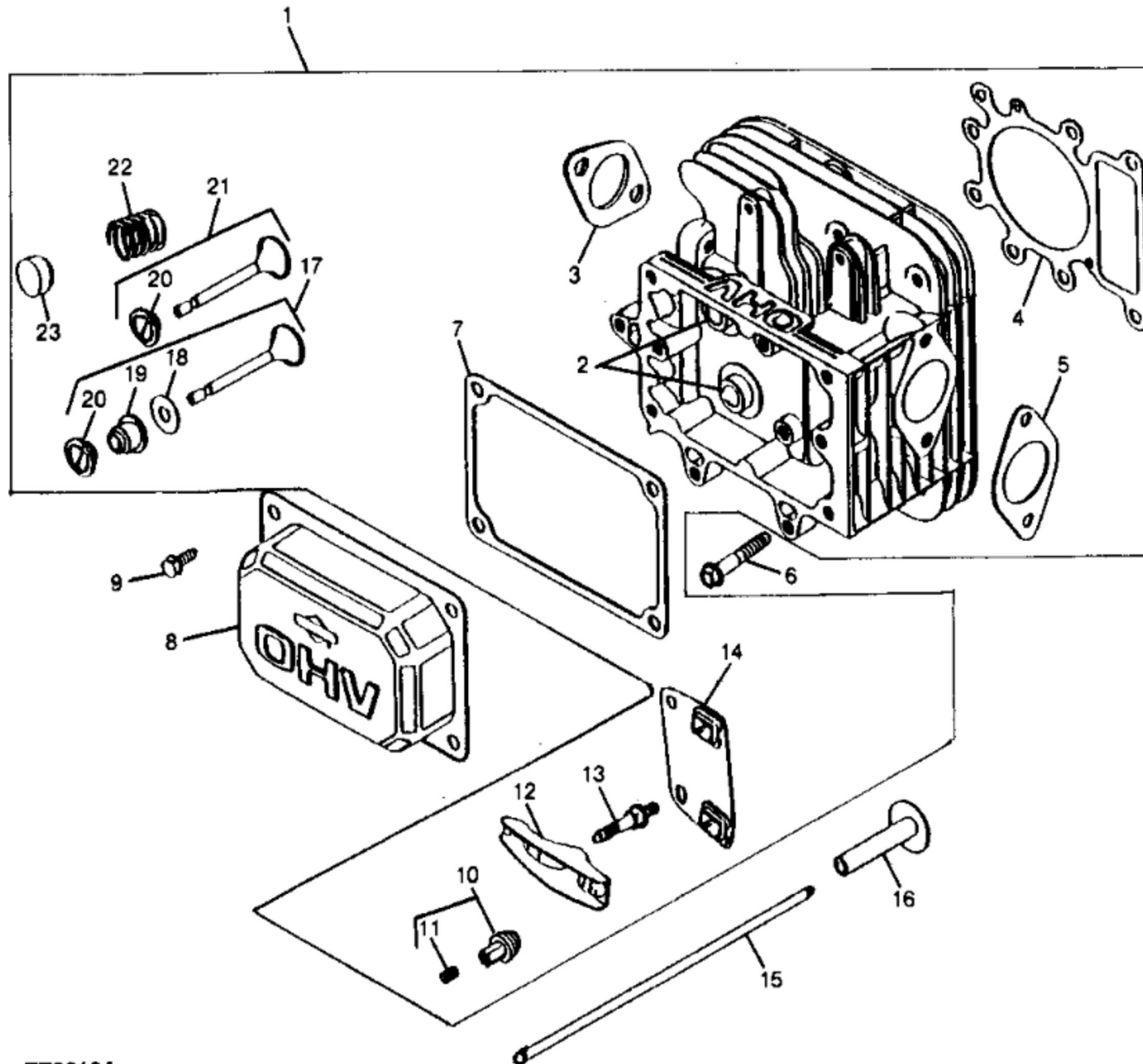


PU01271

John Deere > Turf And Utility >TRACTOR, LAWN AND GARDEN >SABRE - TRACTOR, LAWN AND GARDEN >SABRE 1438GS and 1438HS and EUROPRO 1438GS Lawn Tractors >20 ENGINE >ST643947 - CRANKSHAFT, PISTON AND DIPSTICK

KEY	PART NO.	PART NAME	QTY	Date Code	REMARKS
1	37H73	SCREW	1		
2	LG692014	FILLER CAP	1		NLA; (SUB FOR LG495230)
3	LG270920	SEAL	1		
4	LG691398	TUBE	1		NLA; OIL FILLER, (SUB FOR LG496113)
5	LG281370S	SEAL	1		(SUB FOR LG281370)
6	LG496415	TUBE	1		NLA; OIL FILLER (COMPLETE)
7	LG691588	PISTON PIN	1		(2 PER PKG), (SUB FOR LG26026)
8	LG298909	PIN	1		COUNTERWEIGHT
9	LG692423	COUNTERWEIGHT	1		(SUB FOR LG399891 OR LG499994)
10	LG691096	CAP SCREW	1		(SUB FOR LG94593)
11	M153303	SCREW	1		(SUB FOR LG691658)
12	LG691779	EXTENSION	1		CRANKSHAFT
13	LG691639	KEY	1		TIMING GEAR, (SUB FOR LG94196)
14	LG691284	GEAR	1		TIMING, (SUB FOR LG262932)
15	AM129705	CRANKSHAFT	1		(INCLUDES LG692423) (SUB FOR LG498971)
16	LG222698S	SHAFT KEY	1		FLYWHEEL, (SUB FOR LG222698)
17	LG691792	LOCK	1		PISTON PIN, (SUB FOR LG260924)
18	LG495854	PISTON RING KIT	1		STD
18	LG495851	PISTON RING KIT	1		.50 MM (.020") OS, NLA
18	LG499998	RING KIT	1		.50 MM (.020") OS, NLA
19	LG499284	PISTON REPLACEMENT KIT	1		STD
19	LG499292	PISTON	1		.50 MM (.020") OS, NLA; (SUB FOR LG495978)
20	LG498319	PISTON PIN	1		(SUB FOR LG299691)
21	LG690352	CAP SCREW	1		NLA; SUB FOR LG94648 OR LG690348
22	LG690356	SCREW	1		48 MM (1-57/64"), (SUB FOR LG94695)
23	LG494504S	CONNECTING ROD	1	____-980630	STD (ENGINE MARKED 2877071274E1) (SUB FOR LG494504)
23	M144310	CONNECTING ROD	1	980701-____	NLA; STD (ENGINE MARKED 2877071274E1)
23	LG494504S	CONNECTING ROD	1		STD (ENGINE MARKED 28N7071026E1, 28N7071036E1, 28N7071135E1) (SUB FOR LG494504)
23	LG495490	CONNECTING ROD	1		.50 MM (.020") US, NLA
24	LG691968	GEAR	1		(GOVERNOR) (NOT USED THIS APPLICATION) (SUB FOR LG490815)

KEY	PART NO.	PART NAME	QTY	Date Code	REMARKS
25	AM135141	CAMSHAFT	1		(INCLUDES (2) LG690564) (SUB FOR LG496884 OR LG692421 OR M150105)
26	LG691714	LINK	1		COUNTERWEIGHT
27	LG691792	LOCK	2		PISTON PIN, (USE WITH LG299691) (SUB FOR LG260924)
27	LG691299	LOCK	2		PISTON PIN, (USE WITH LG498319)



TT00104



Suggest:

For more complete manuals. Please go to the home page.

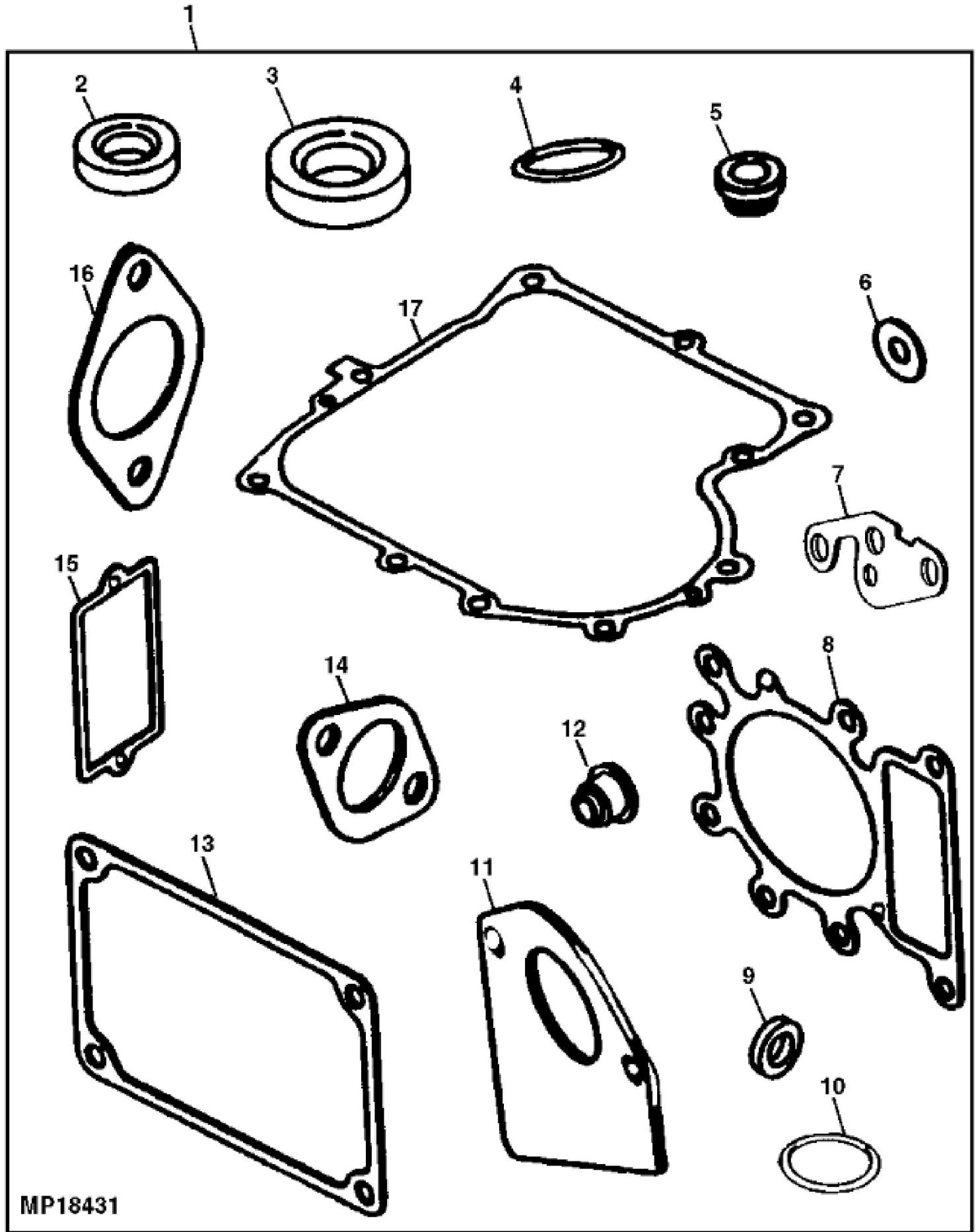
<https://www.ebooklibonline.com>

If the above button click is invalid. Please download this document first, and then click the above link to download the complete manual.

Thank you so much for reading

John Deere > Turf And Utility >TRACTOR, LAWN AND GARDEN >SABRE - TRACTOR, LAWN AND GARDEN >SABRE 1438GS and 1438HS and EUROPRO 1438GS Lawn Tractors >20 ENGINE >ST643948 - CYLINDER HEAD

KEY	PART NO.	PART NAME	QTY	REMARKS
1	LG691165	CYLINDER HEAD	1	(SUB FOR LG495858)
2	LG262835	BUSHING	2	(NLA) (SUB LG691165)
3	LG692236	GASKET	1	EXHAUST, (SUB FOR LG272293)
4	MIU11490	ENGINE CYLINDER HEAD GASKET	1	(SUB FOR LG273280S OR M150400)
5	LG272569S	GASKET	1	(SUB FOR LG272569)
6	LG690360	SCREW	1	(SUB FOR LG94728)
7	LG272475S	GASKET	1	(SUB FOR LG272475)
8	LG691192	VALVE COVER	1	(SUB FOR LG224552)
9	37H73	SCREW	4	(SUB FOR LG94786 OR LG692198)
10	LG691986	ADJUSTER	1	(SUB FOR LG492160 AND LG810068)
11	SET SCREW	1	
12	LG691751	ROCKER ARM	1	(SUB FOR LG224554)
13	LG691095	STUD	1	(SUB FOR LG94555)
14	LG690822	GUIDE	2	(SUB FOR LG495248)
15	LG692003	PUSH ROD	1	(INTAKE) (SUB FOR LG494432)
15	LG692011	PUSH ROD	1	(EXHAUST) (SUB FOR LG495136)
16	LG690564	TAPPET	2	(SUB FOR LG262411)
17	MIA10689	INTAKE VALVE	1	(INCLUDES PARTS MARKED (B)) (SUB FOR LG495857 OR M149939)
18	LG691316	GASKET	1	(A) (SUB FOR LG272610)
19	LG690968	SEAL	1	(A) (B) (SUB FOR LG499236)
20	LG499586	RETAINER	2	(B) (SUB FOR LG224641, LG691752 OR M144618)
21	LG495856	EXHAUST VALVE	1	
22	LG691279	SPRING	2	(SUB FOR LG262811)
23	LG691843	CAP	2	(SUB FOR LG262836)
..	LG495992	CARBURETOR KIT	1	VALVE OVERHAUL (INCLUDES PARTS MARKED (A))



MP18431

<https://www.ebooklibonline.com>

Hello dear friend!

Thank you very much for reading.

Enter the link into your browser.

The full manual is available for immediate download.

<https://www.ebooklibonline.com>