

RWP2653

KEY	PART NO.	PART NAME	QTY	1250	1450	1650	REMARKS
1	CH16741	PIPE	1	X	X	X	BREATHER, (SUB CH20211)
2	AR21837	CLAMP	1	X	X	X	
3	CH12349	BOLT	2	X	X	X	
4	CH16738	COVER	1	X	X	X	BREATHER
5	R180340	GASKET	1	X	X	X	(SUB FOR CH20265 OR CH16739)
6	CH16742	ISOLATOR	2	X	X	X	
7	CH16740	FILTER	1	X	X	X	
8	CH10348	NUT	2	X			
8	CH10348	NUT	4		X	X	
9	CH16837	WASHER	2	X			
9	CH16837	WASHER	4		X	X	
10	CH16799	SEAL	2	X			
10	CH16799	SEAL	4		X	X	
11	CH18280	GASKET	1		X	X	(SUB FOR CH16944, CH18280 OR R180336)
12	CH16943	COVER	1	X			
12	CH18278	COVER	1		X	X	

<https://www.ebooklibonline.com>

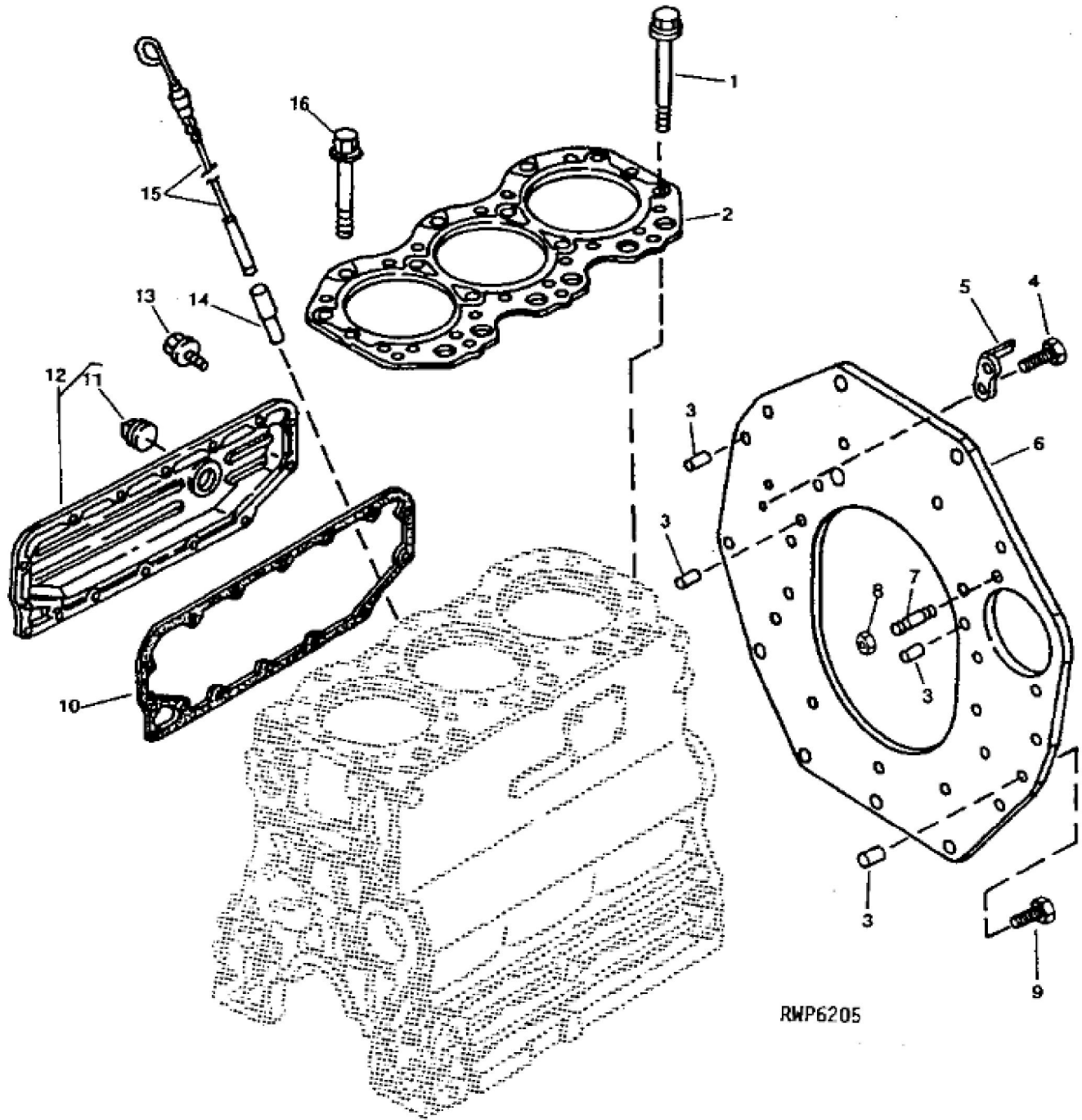
Hello dear friend!

Thank you very much for reading.

Enter the link into your browser.

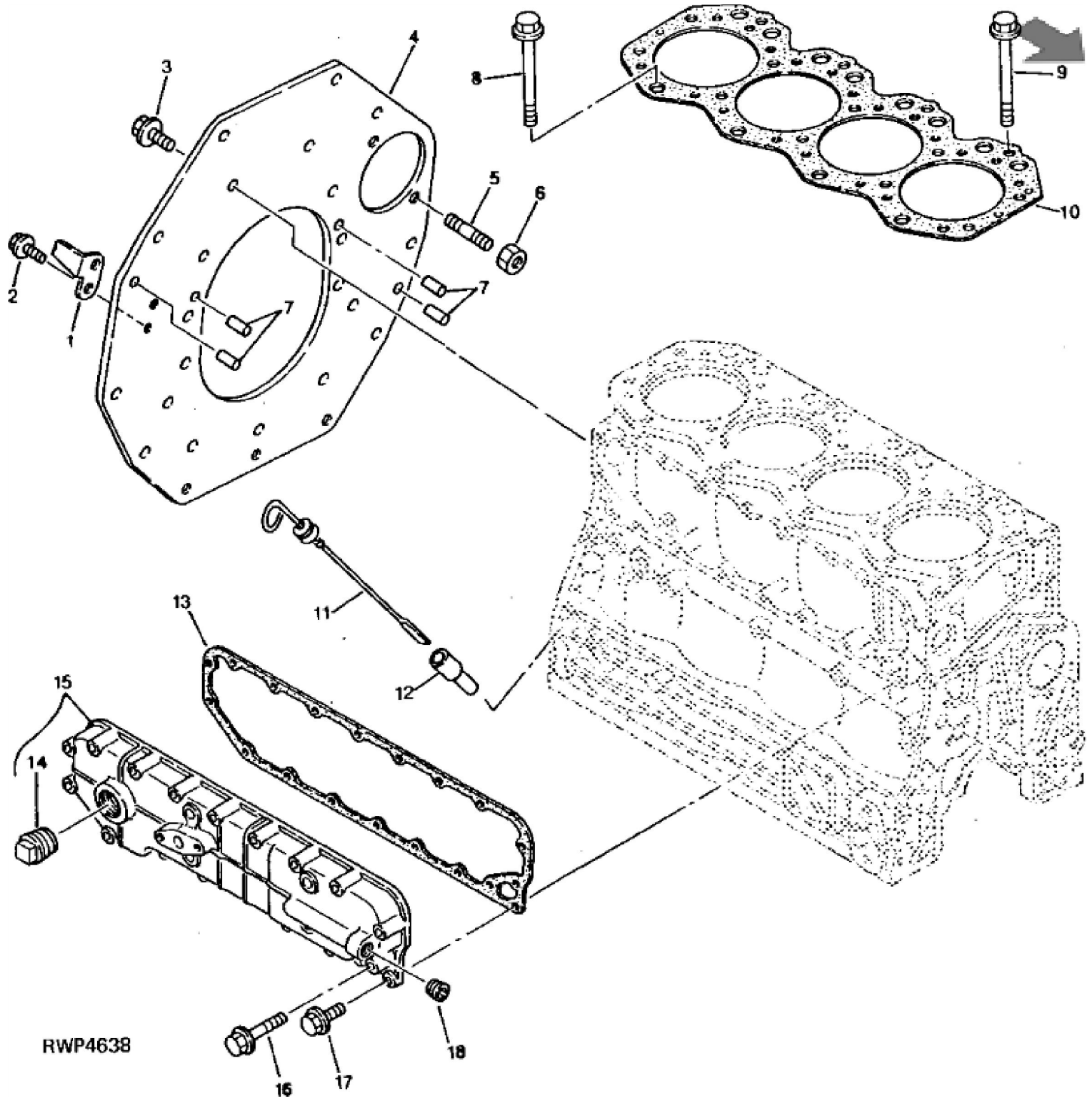
The full manual is available for immediate download.

<https://www.ebooklibonline.com>



RWP6205

KEY	PART NO.	PART NAME	QTY	1250	REMARKS
1	CH16702	BOLT	11	X	
2	CH16706	GASKET	1	X	CYLINDER HEAD, NLA
3	CH16730	PIN	4	X	
4	CH19095	BOLT	2	X	M6 X 8
5	CH16729	MARKER	1	X	TIMING
6	CH16728	FLANGE	1	X	MOUNTING
7	CH10389	STUD	2	X	M12 X 25
8	14M7275	NUT	2	X	M12
9	CH19096	BOLT	13	X	M10 X 22
10	R180220	GASKET	1	X	(SUB FOR CH16707) JACKET COVER
11	15H562	PIPE PLUG	1	X	1"
12	CH16923	COVER	1	X	JACKET
13	19M7864	SCREW	15	X	M8 X 12
14	CH15495	GUIDE	1	X	
15	CH16825	DIPSTICK	1	X	
16	CH16703	BOLT	3	X	



RWP4638



Suggest:

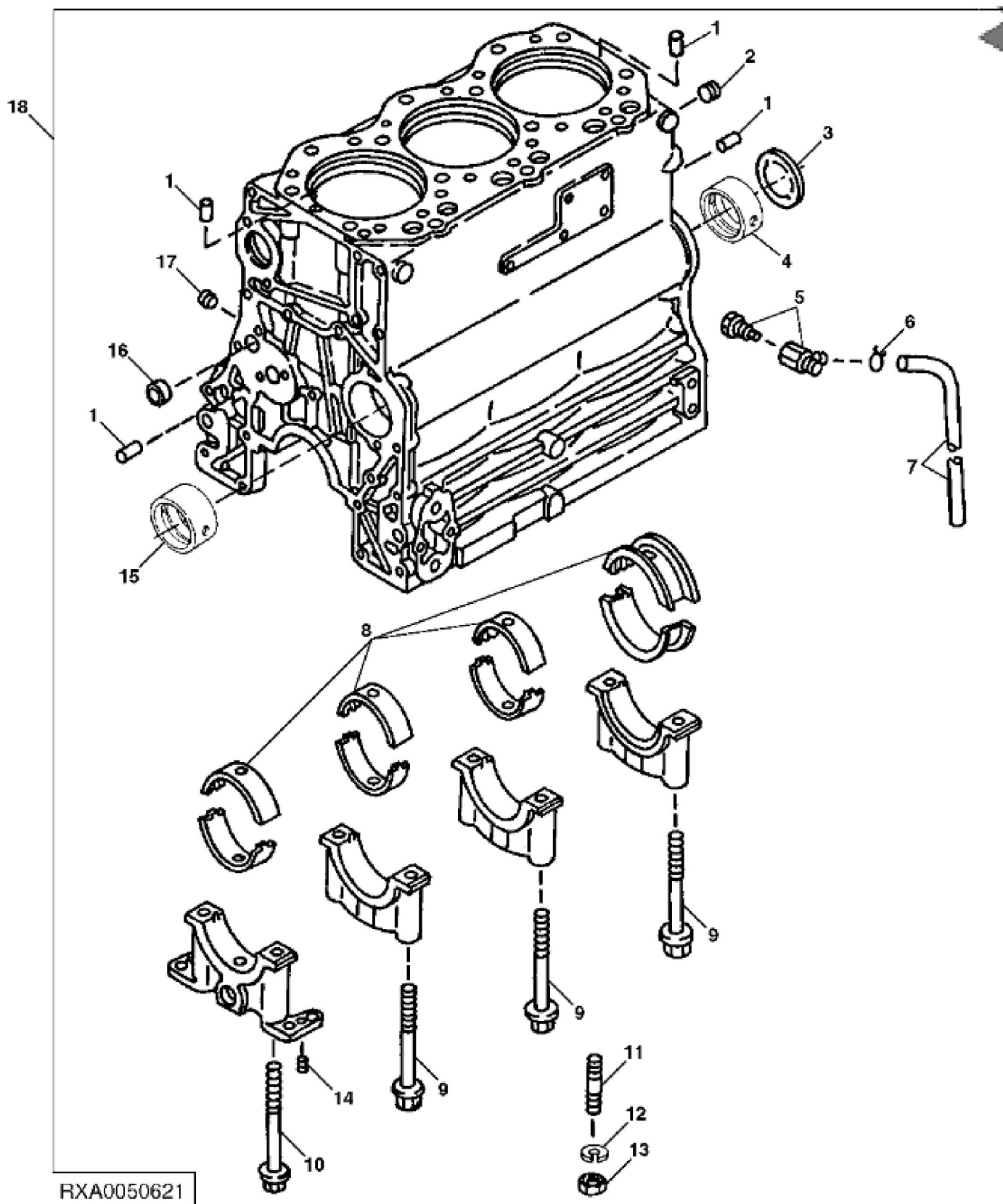
For more complete manuals. Please go to the home page.

<https://www.ebooklibonline.com>

If the above button click is invalid. Please download this document first, and then click the above link to download the complete manual.

Thank you so much for reading

KEY	PART NO.	PART NAME	QTY	1450	1650	REMARKS
1	CH16729	MARKER	1	X	X	
2	CH19095	BOLT	2	X	X	M6 X 8
3	CH19096	BOLT	13	X	X	M10 X 22
4	CH16728	FLANGE	1	X	X	
5	CH10389	STUD	2	X	X	M12 X 25
6	14M7275	NUT	2	X	X	M12
7	CH16730	PIN	4	X	X	M10 X 8
8	CH16703	BOLT	4	X	X	
9	CH16702	BOLT	14	X	X	
10	CH18264	GASKET	1	X	X	NLA
11	CH18312	DIPSTICK	1	X	X	
12	CH15495	GUIDE	1	X	X	
13	R180197	GASKET	1	X	X	(SUB FOR CH18266)
14	15H562	PIPE PLUG	1	X	X	1"
15	CH18378	COVER	1	X	X	
16	19M7800	SCREW	12	X	X	M8 X 50
17	19M7867	SCREW	7	X	X	M8 X 25
18	15H666	PIPE PLUG	1	X	X	3/8"



RXA0050621

<https://www.ebooklibonline.com>

Hello dear friend!

Thank you very much for reading.

Enter the link into your browser.

The full manual is available for immediate download.

<https://www.ebooklibonline.com>