

RWP3562

KEY	PART NO.	PART NAME	QTY	REMARKS	
1	CH10451	BOLT	3		
2	CH10569	PACKING	3		
3	19M7300	CAP SCREW	4	M6 X 10	
4	CH10446	COVER	2		
5	M811640	GASKET	2	(SUB FOR CH12817)	
6	M805710	CAP	1	(SUB FOR CH10332)	
7	T32587	O-RING	1	(SUB FOR CH10572)	
8	CH13884	ENGINE CYLINDER HEAD GASKET	1		
9	CH14074	COVER	1	NLA	

**<https://www.ebooklibonline.com>**

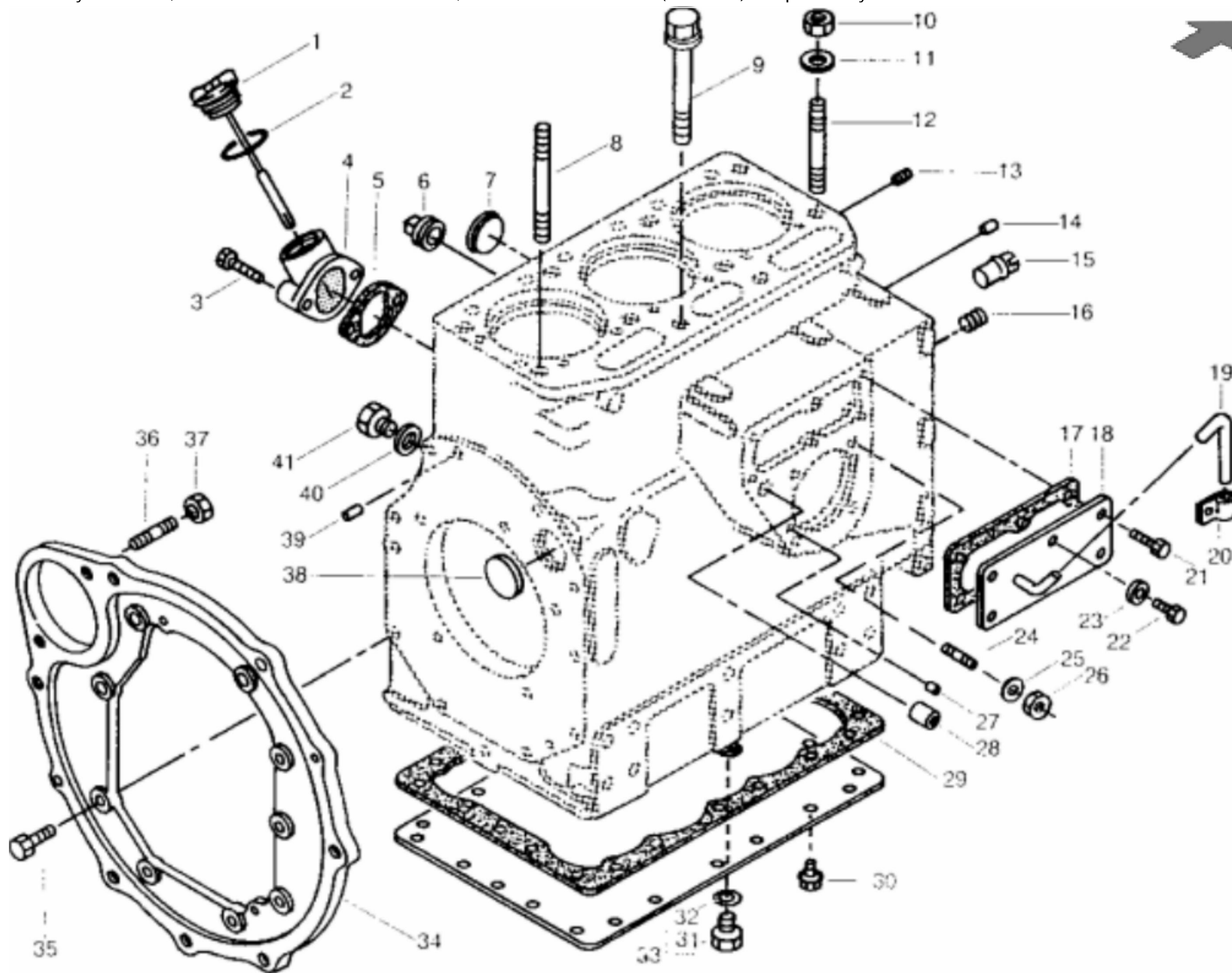
Hello dear friend!

Thank you very much for reading.

Enter the link into your browser.

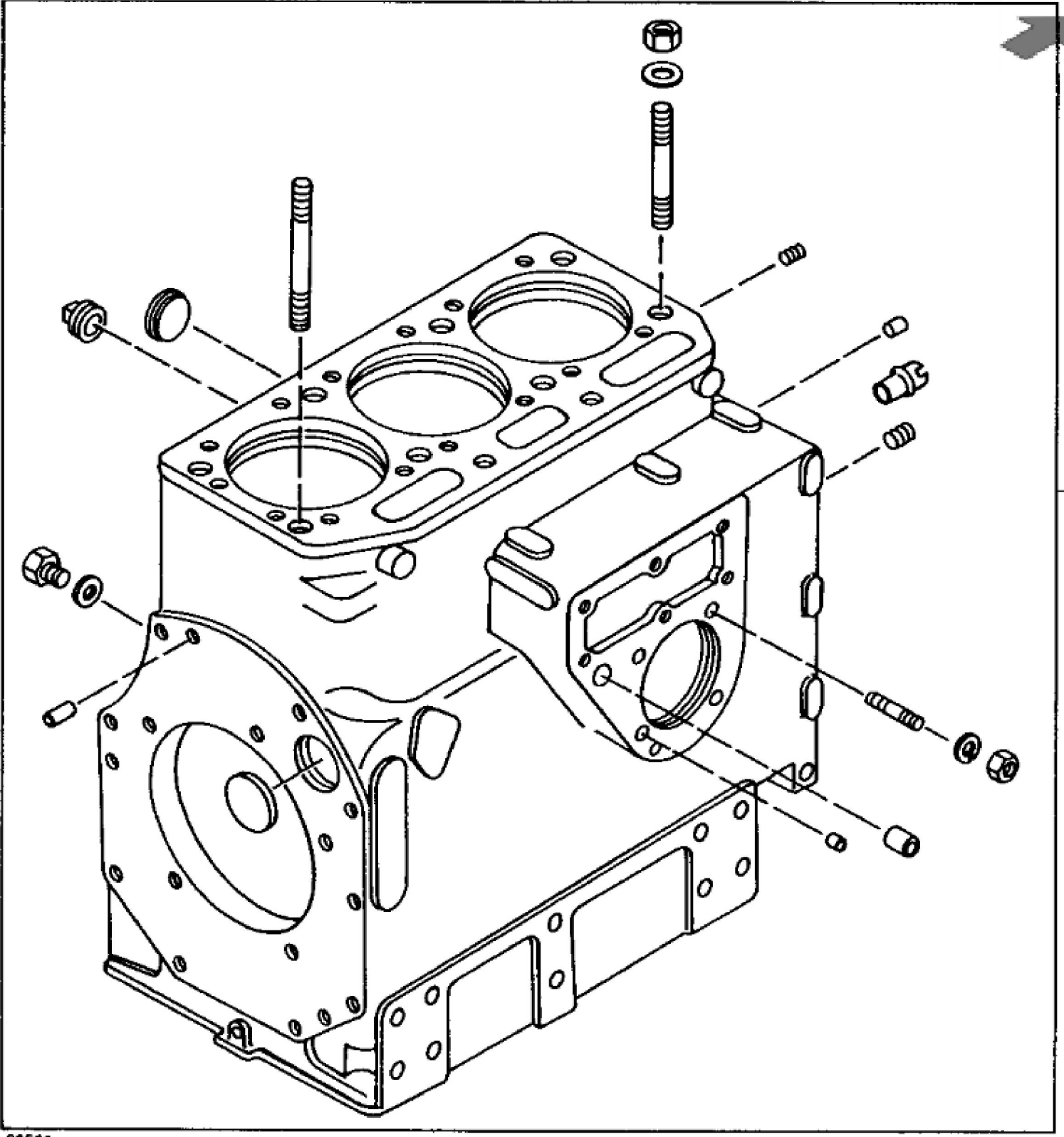
The full manual is available for immediate download.

**<https://www.ebooklibonline.com>**



KEY	PART NO.	PART NAME	QTY	Engine Serial No.	REMARKS
1	CH10178	DIPSTICK	1		NLA
2	T32587	O-RING	1	____-XXXXXX	(SUB FOR CH10572)
2	CH15414	PACKING	1	XXXXXX-____	
3	19M7298	CAP SCREW	2		M8 X 35
4	CH10173	FLANGE	1		NLA
5	M810521	GASKET	1		(SUB FOR CH12818)
6	15H562	PIPE PLUG	1		1"
7	30M7023	PLUG	2		
8	CH10385	BOLT	1		
9	CH12841	BOLT	2		M10 X 100
10	CH10387	NUT	8		
11	CH10386	WASHER	8		
12	CH10384	BOLT	7		
13	CH10314	PLUG	2		
14	M802255	PIN	2		(SUB FOR CH10534)
15	CH10363	PIPE	1		NLA
16	CH10335	PLUG	1		
17	M811639	GASKET	1		(SUB FOR CH12815)
18	CH10179	COVER	1		
19	CH10552	PIPE	1		M9 X 500
20	CH10331	CLAMP	1		
21	19M7560	CAP SCREW	2		M6 X 16
22	CH10577	BOLT	4		M6 X 14
23	24M7054	WASHER	4		6.400 X 12 X 1.600 mm
24	CH10614	STUD	2	____-XXXXXX	M8 X 22
24	CH15722	STUD	2	XXXXXX-____	M8 X 22
25	12M7065	LOCK WASHER	2		8 mm
26	14M7273	NUT	2		M8
27	CH10532	PIN	1		M4 X 10
28	CH10465	BUSHING	1		
29	M811638	GASKET	1		(SUB FOR CH12821)
30	CH19780	BOLT	20		M8 X 14, (SUB FOR CH12839)
31	CH10315	PLUG	1		
32	CH10569	PACKING	1		

KEY	PART NO.	PART NAME	QTY	Engine Serial No.	REMARKS	
33	CH12810	OIL PAN	1			
34	CH10175	FLANGE	1		NLA	
35	CH13938	BOLT	9		M10 X 28, (SUB FOR CH10593)	
36	CH10389	STUD	2		NLA	
37	14M7275	NUT	2		M12	
38	M806843	PLUG	1		M40, (SUB FOR CH10640)	
39	CH10535	PIN	2		M8 X 20	
40	CH10183	PACKING	2		M10	
41	CH10561	PLUG	2		M10	



RP529



**Suggest:**

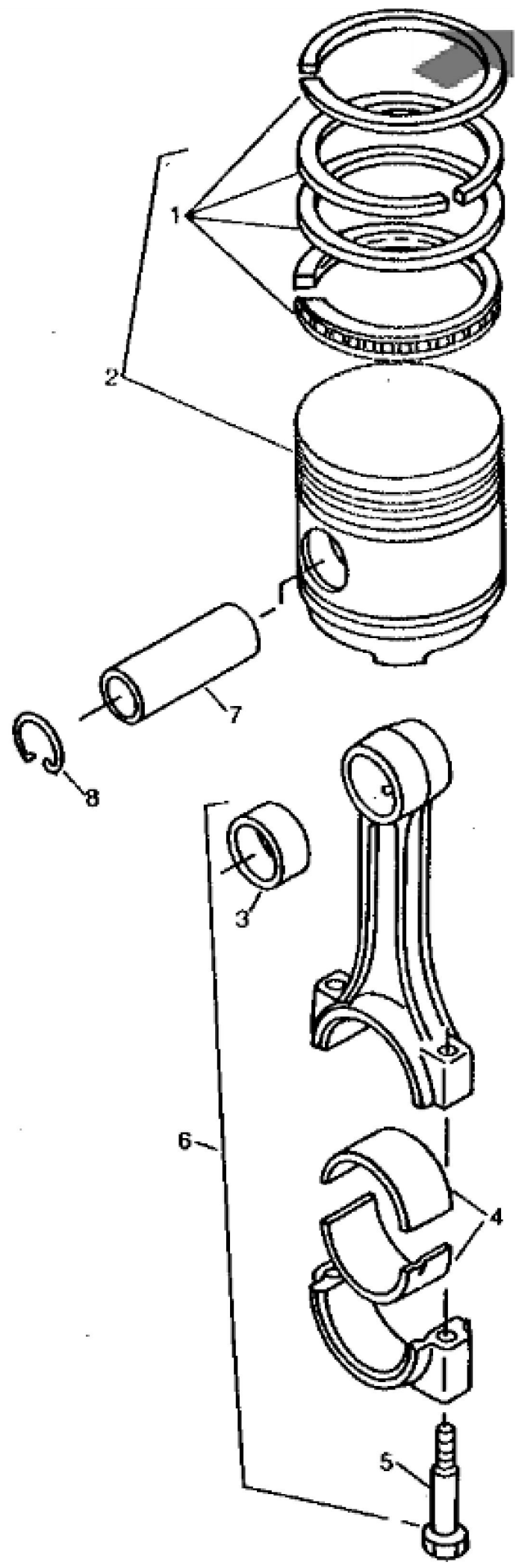
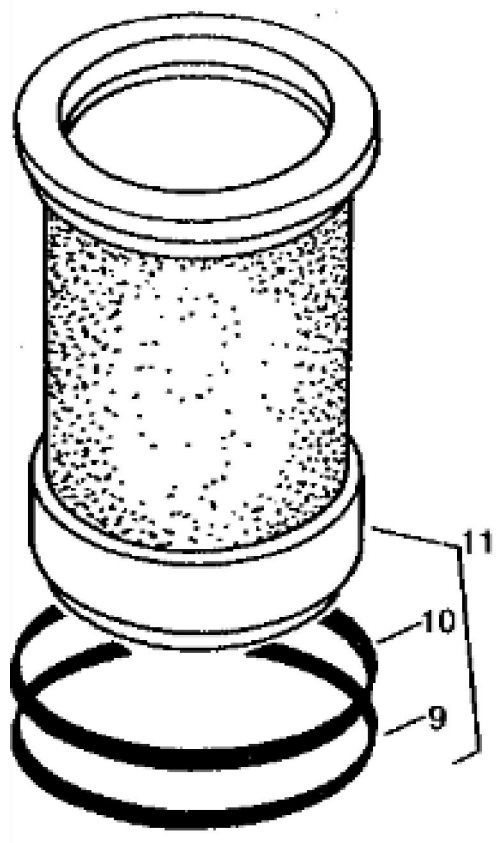
**For more complete manuals. Please go to the home page.**

**<https://www.ebooklibonline.com>**

**If the above button click is invalid. Please download this document first, and then click the above link to download the complete manual.**

**Thank you so much for reading**

KEY	PART NO.	PART NAME	QTY	REMARKS	
1	CH18173	CYLINDER BLOCK	1	NLA (SUB FOR CH12833)	
1	CH19590	SHORT BLOCK ASSEMBLY	1	NLA (SUB FOR CH14168, CH15729 OR CH18172)	



RP1380

**<https://www.ebooklibonline.com>**

Hello dear friend!

Thank you very much for reading.

Enter the link into your browser.

The full manual is available for immediate download.

**<https://www.ebooklibonline.com>**