

MP43808

John Deere > Turf And Utility >TRACTOR, COMPACT UTILITY >60D - TRACTOR, COMPACT UTILITY >1026R Compact Utility Tractor (with 54D, 60D AutoConnect Mower Deck) >20 ENGINE >ST569732 - CYLINDER BLOCK

KEY	PART NO.	PART NAME	QTY	REMARKS
1	M800970	BOLT	14	
2	MIU802007	GASKET	1	SUB FOR M811815
3	M809593	PLUG	1	
4	M811805	PLUG	4	
5	CH10335	PLUG	1	
6	M802255	PIN	2	
7	CH18079	SPRING PIN	2	
8	CH10314	PLUG	1	
9	AM882419	THRUST BEARING	2	STD
9	MIA880557	THRUST BEARING	2	Over Sized = 0.25 MM (0.010 IN)
10	MIA880551	BEARING	4	MAIN, (STD)
10	AM882418	BEARING	4	MainUnder Sized = 0.25 MM (0.010 IN)
11	BEARING CAP	1	ORDER MIA880096
12	M87879	BOLT	8	
13	BEARING CAP	3	ORDER MIA880096
14	M800006	DOWEL PIN	2	
15	M87801	PLUG	1	
16	M87871	BOLT	3	
17	M811882	SHAFT	1	
18	MIU800572	CAMSHAFT	1	
19	CYLINDER BLOCK	1	ORDER MIA880096
20	M811807	PLUG	3	
21	MIA880096	CYLINDER BLOCK	2	
22	MIA11224	DIESEL ENGINE	1	MARKED 3TNV76-XCJT; Not Illustrated
..	MIA880049	SHORT BLOCK ASSEMBLY	1	NLA; ORDER MIA882684
..	MIA882684	SHORT BLOCK ASSEMBLY	1	

<https://www.ebooklibonline.com>

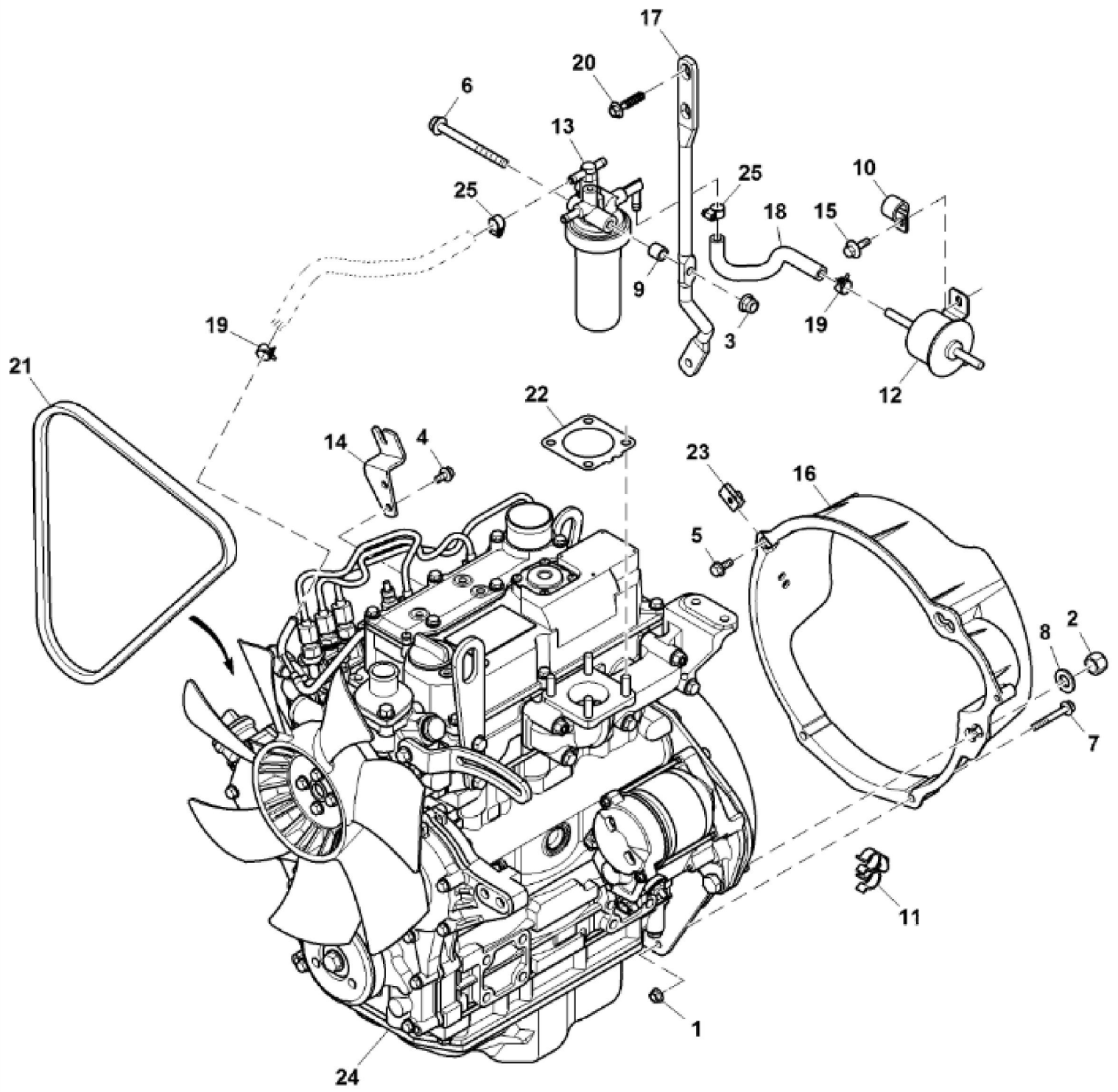
Hello dear friend!

Thank you very much for reading.

Enter the link into your browser.

The full manual is available for immediate download.

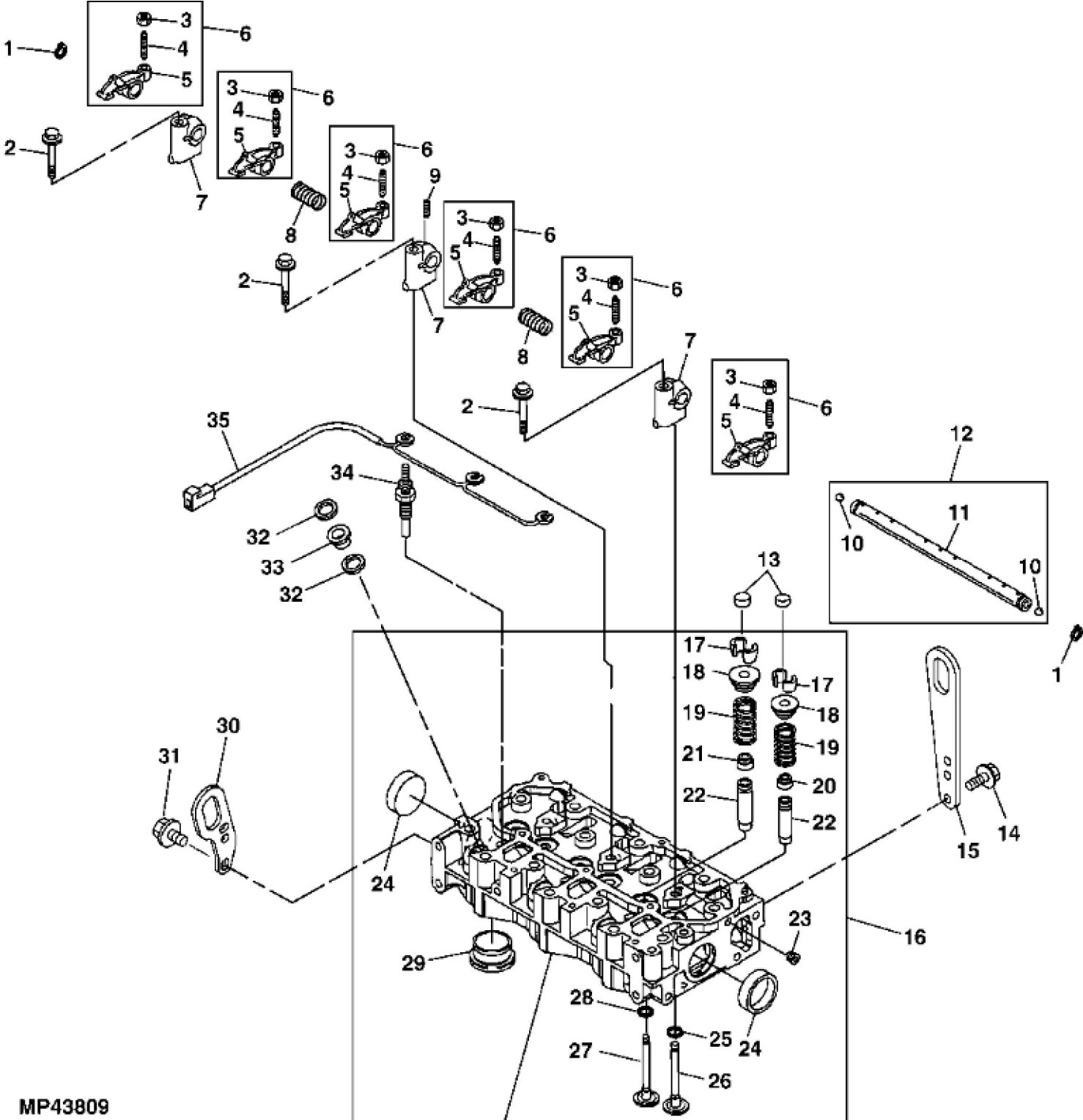
<https://www.ebooklibonline.com>



LV248235

John Deere > Turf And Utility >TRACTOR, COMPACT UTILITY >60D - TRACTOR, COMPACT UTILITY >1026R Compact Utility Tractor (with 54D, 60D AutoConnect Mower Deck) >20 ENGINE >ST841977 - DIESEL ENGINE, 3TNV76

KEY	PART NO.	PART NAME	QTY	REMARKS
1	14M7303	FLANGE NUT	2	M6
2	14M7367	LOCK NUT	2	M12
3	14M7396	LOCK NUT	1	M8
4	19M7774	SCREW	2	M6 X 12
5	19M7775	SCREW	1	M6 X 16
6	19M7913	SCREW	1	M8 X 90
7	19M8321	SCREW	2	M6 X 45
8	24M7047	WASHER	2	13 X 24 X 2.500 mm
9	28H3450	SPACER	1	0.364" X 0.540" X 1/2"
10	AH77724	CLIP	1	
11	AL157115	CLIP	1	
12	AM876266	FUEL PUMP	1	
13	MIA883607	FUEL FILTER	1	SUB FOR AM882413
14	LVU22124	SUPPORT	1	
15	LVU22419	BOLT	2	
16	LVU33746	COVER	1	(Pump To Filter) SUB FOR LVU26806
17	LVU28439	ROD	1	
18	LVU28736	HOSE	1	
19	M131032	CLAMP	3	
20	M146384	SCREW	3	
21	M805011	V-BELT	1	
22	M811089	GASKET	1	
23	M84972	NUT	1	
24	MIA11224	DIESEL ENGINE	1	
25	TY22462	CLAMP	3	



MP43809

John Deere > Turf And Utility >TRACTOR, COMPACT UTILITY >60D - TRACTOR, COMPACT UTILITY >1026R Compact Utility Tractor (with 54D, 60D AutoConnect Mower Deck) >20 ENGINE >ST569733 - CYLINDER HEAD, VALVES AND ROCKER ARMS

KEY	PART NO.	PART NAME	QTY	REMARKS
1	M87818	SNAP RING	2	
2	19M8317	SCREW	3	M8 X 40
3	M801028	NUT	1	
4	M801027	SCREW	1	
5	ROCKER ARM	1	
6	AM882423	ROCKER ARM	6	
7	M811846	SUPPORT	3	
8	M87892	SPRING	2	
9	M87893	SCREW	1	
10	BALL	2	
11	ROCKER ARM SHAFT	1	
12	AM882421	ROCKER ARM SHAFT	1	
13	M811804	CAP	6	
14	19M7865	SCREW	2	M8 X 16
15	AT211695	HANGER	1	
16	AM882453	CYLINDER HEAD	1	
17	M811844	RETAINER	12	
18	M811966	RETAINER	6	
19	M811842	SPRING	6	
20	M811850	SEAL	3	
21	M811851	SEAL	3	
22	M811855	GUIDE	6	
23	M808706	PLUG	1	
24	M811808	PLUG	2	
25	M811838	VALVE SEAT INSERT	3	INTAKE
26	MIU800642	INTAKE VALVE	3	
27	M811841	EXHAUST VALVE	3	
28	M811839	VALVE SEAT INSERT	3	EXHAUST
29	CHAMBER	3	(NSEP)
30	MIU800461	BRACKET	1	
31	CH19780	BOLT	2	
32	M89135	GASKET	6	
33	M811967	SHIELD	3	
34	M811937	GLOW PLUG	3	NLA; ORDER MIU802457



Suggest:

For more complete manuals. Please go to the home page.

<https://www.ebooklibonline.com>

If the above button click is invalid. Please download this document first, and then click the above link to download the complete manual.

Thank you so much for reading

KEY	PART NO.	PART NAME	QTY	REMARKS	
34	MIU802457	GLOW PLUG	3	SUB FOR M811937	
35	M811938	ELEC. CONNECTOR TERMINAL	1		

<https://www.ebooklibonline.com>

Hello dear friend!

Thank you very much for reading.

Enter the link into your browser.

The full manual is available for immediate download.

<https://www.ebooklibonline.com>