

John Deere > Turf And Utility >TRACTOR, COMPACT UTILITY >60D - TRACTOR, COMPACT UTILITY >1025R Compact Utility Tractor (with 54D, 60D Mower Deck and 260 Backhoe) >20 ENGINE
 >ST745564 - CYLINDER BLOCK

KEY	PART NO.	PART NAME	QTY	REMARKS
1	M800970	BOLT	14	
2	MIA882331	GASKET KIT	1	
3	M809593	PLUG	1	D45
4	M811805	PLUG	4	30
5	CH10335	PLUG	1	
6	M802255	PIN	2	
7	CH18079	SPRING PIN	2	
8	CH10314	PLUG	1	
9	AM882419	THRUST BEARING	2	STD
9	MIA880557	THRUST BEARING	2	Over Sized = 0.25 MM (0.010 IN)
10	MIA880551	BEARING	4	Main, (STD)
10	AM882418	BEARING	4	Under Sized = 0.25 MM (0.010 IN) Main
11	M87879	BOLT	8	
12	M800006	DOWEL PIN	2	
13	M87801	PLUG	1	12
14	M87871	BOLT	3	
15	M811882	SHAFT	1	
16	MIU800572	CAMSHAFT	1	
17	M811807	PLUG	3	25
18	MIA12147	DIESEL ENGINE	1	Diesel, 3TNV80F, TIERIV; Not Illustrated

<https://www.ebooklibonline.com>

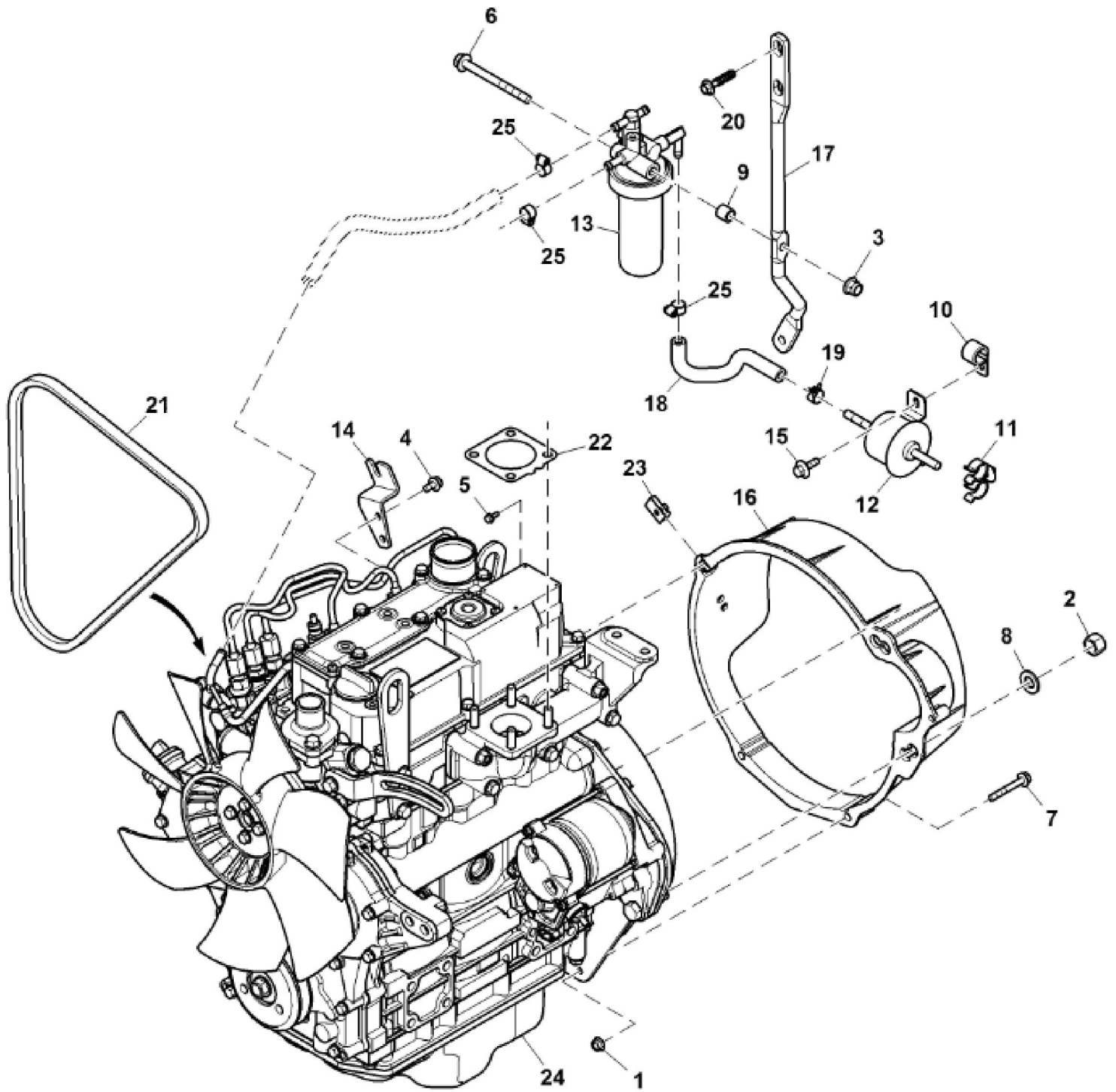
Hello dear friend!

Thank you very much for reading.

Enter the link into your browser.

The full manual is available for immediate download.

<https://www.ebooklibonline.com>



LV253345

KEY	PART NO.	PART NAME	QTY	REMARKS
1	14M7303	FLANGE NUT	2	M6
2	14M7367	LOCK NUT	2	M12
3	14M7396	LOCK NUT	1	M8
4	19M7774	SCREW	2	M6 X 12
5	19M7775	SCREW	1	M6 X 16
6	19M7913	SCREW	1	M8 X 90
7	19M8321	SCREW	2	M6 X 45
8	24M7047	WASHER	2	13 X 24 X 2.500 mm
9	28H3450	SPACER	1	0.364" X 0.540" X 1/2"
10	AH77724	CLIP	1	
11	AL157115	CLIP	1	
12	AM876266	FUEL PUMP	1	
13	MIA883607	FUEL FILTER	1	SUB FOR AM882413
14	LVU22124	SUPPORT	1	
15	LVU22419	BOLT	2	
16	LVU33746	COVER	1	(Pump To Filter) SUB FOR LVU26806
17	LVU28439	ROD	1	
18	LVU28736	HOSE	1	
19	M131032	CLAMP	3	
20	M146384	SCREW	3	
21	M805011	V-BELT	1	
22	M811089	GASKET	1	
23	M84972	NUT	1	
24	MIA12147	DIESEL ENGINE	1	
25	TY22462	CLAMP	3	



Suggest:

For more complete manuals. Please go to the home page.

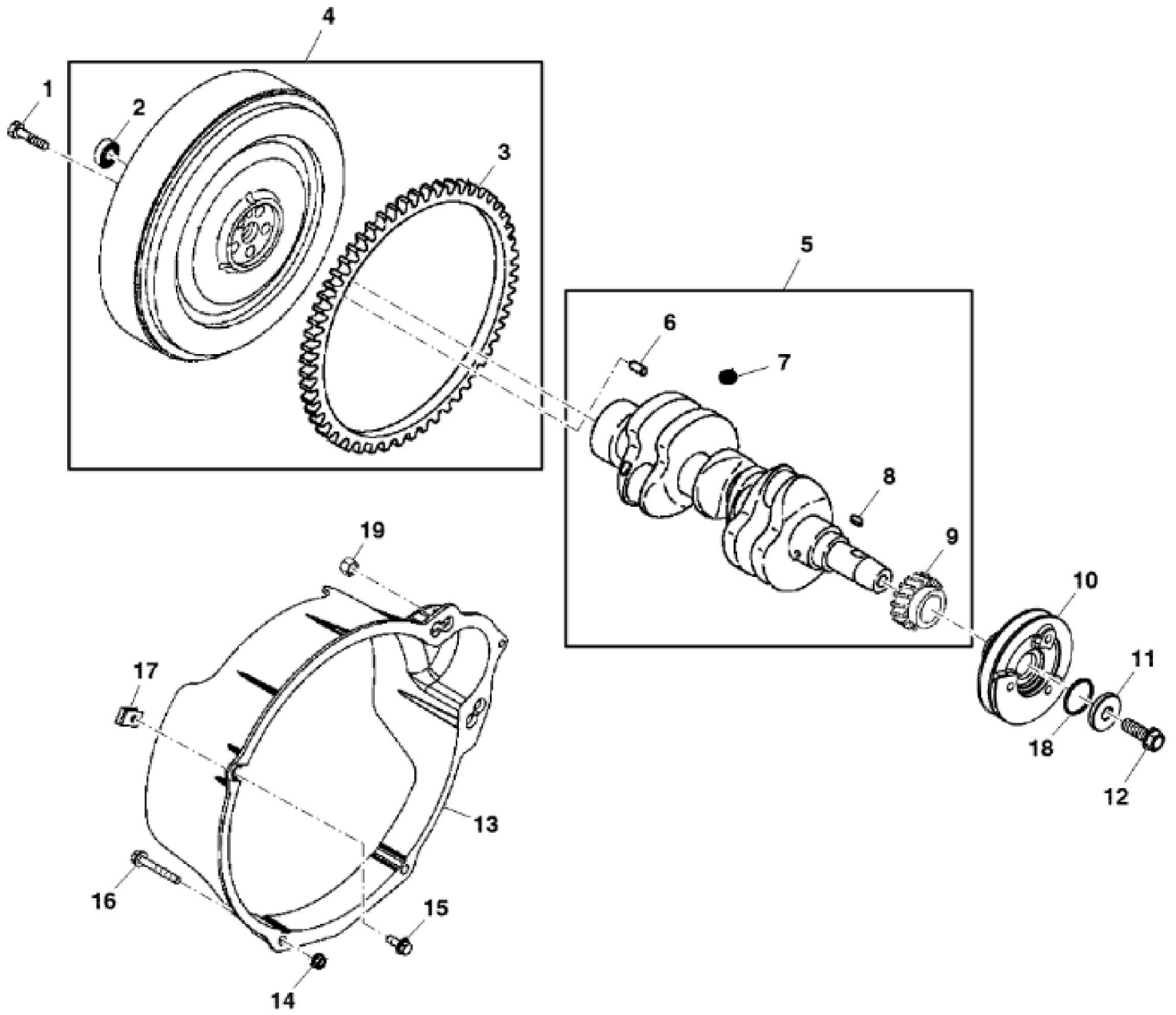
<https://www.ebooklibonline.com>

If the above button click is invalid. Please download this document first, and then click the above link to download the complete manual.

Thank you so much for reading

>ST745573 - CYLINDER HEAD, VALVES AND ROCKER ARMS

KEY	PART NO.	PART NAME	QTY	REMARKS
1	M87818	SNAP RING	2	
2	19M8317	SCREW	3	M8 X 40, SUB FOR M89128
3	M801028	NUT	6	
4	M801027	SCREW	1	
5	M811938	ELEC. CONNECTOR TERMINAL	1	
6	AM882423	ROCKER ARM	6	
7	M811846	SUPPORT	3	Rocker Arm
8	M87892	SPRING	2	
9	M87893	SCREW	1	
10	MIU802457	GLOW PLUG	3	
11	M811967	SHIELD	3	
12	AM882421	ROCKER ARM SHAFT	1	
13	M811804	CAP	6	
14	CH18390	BOLT	2	
15	AT211695	HANGER	1	
16	MIA882333	CYLINDER HEAD	1	
17	M811844	RETAINER	12	Cotter, Valve
18	M811966	RETAINER	6	Retainer, Spring
19	M811842	SPRING	6	
20	M811850	SEAL	3	Valve Stem, In
21	M811851	SEAL	3	Valve Stem, Exit
22	M811855	GUIDE	6	
23	MIU800461	BRACKET	1	Lifter, Engine
24	CH19780	BOLT	2	
25	M89135	GASKET	6	
26	M808706	PLUG	1	R1/16
27	M811808	PLUG	2	35



<https://www.ebooklibonline.com>

Hello dear friend!

Thank you very much for reading.

Enter the link into your browser.

The full manual is available for immediate download.

<https://www.ebooklibonline.com>