

LV294373

John Deere > Turf And Utility >TRACTOR, COMPACT UTILITY >60D - TRACTOR, COMPACT UTILITY >1023E Compact Utility Tractor (with 54D, 60D AutoConnect Mower Deck) >20 ENGINE >ST569542 - CYLINDER BLOCK

KEY	PART NO.	PART NAME	QTY	Serial No.	REMARKS
1	MIU800287	BOLT	14	____-310000	Cylinder Head
1	M800970	BOLT	14	310001-____	Cylinder Head
2	MIA882277	GASKET KIT	1		
3	MIA881534	CYLINDER BLOCK	1		
4	CH18079	SPRING PIN	2		
5	MIU801572	PLUG	3		
6	.....	CYLINDER BLOCK	1		
7	M802254	PIN	2		
8	MIU801589	SHAFT	1		IDLE GEAR
9	19M7797	BOLT	3		SUB FOR M800008
10	CH10314	PLUG	3		
11	MIA881538	BEARING	4		STD, MAIN
11	MIA881539	BEARING	4		MainUnder Sized = 0.25 MM (0.010 IN)
12	M64850	LIQUID GASKET	AR		2.8 OZ, TUBE
13	MIU801573	BOLT	16		
14	MIA881524	LADDER	1		FRAME; ORDER MIA882682
15	MIU801571	PIPE	2		
16	MIA881540	THRUST BEARING	2		STD
16	MIA881541	THRUST BEARING	2		Over Sized = 0.25 MM (0.010 IN)
17	M808706	PLUG	1		
18	30M7023	PLUG	4		
19	.....	PLUG	1		
20	MIU800347	SEAL	1		
21	MIA11366	DIESEL ENGINE	1	____-310000	MARKED 3TNM72-CJT; Not Illustrated
21	MIA881533	SHORT BLOCK ASSEMBLY	1	____-310000	Not Illustrated
21	MIA12146	DIESEL ENGINE	1	310001-510470	Engine MARKED 3TNM74F-NCJT; Not Illustrated
21	MIA13082	DIESEL ENGINE	1	510471-____	Engine MARKED 3TNM74F-NCJT; Not Illustrated
21	MIA882682	SHORT BLOCK ASSEMBLY	1	310001-____	Not Illustrated
22	MIU801570	GASKET	1		
23	MIU802524	BOLT	4		
24	AT211671	O-RING	1		

**<https://www.ebooklibonline.com>**

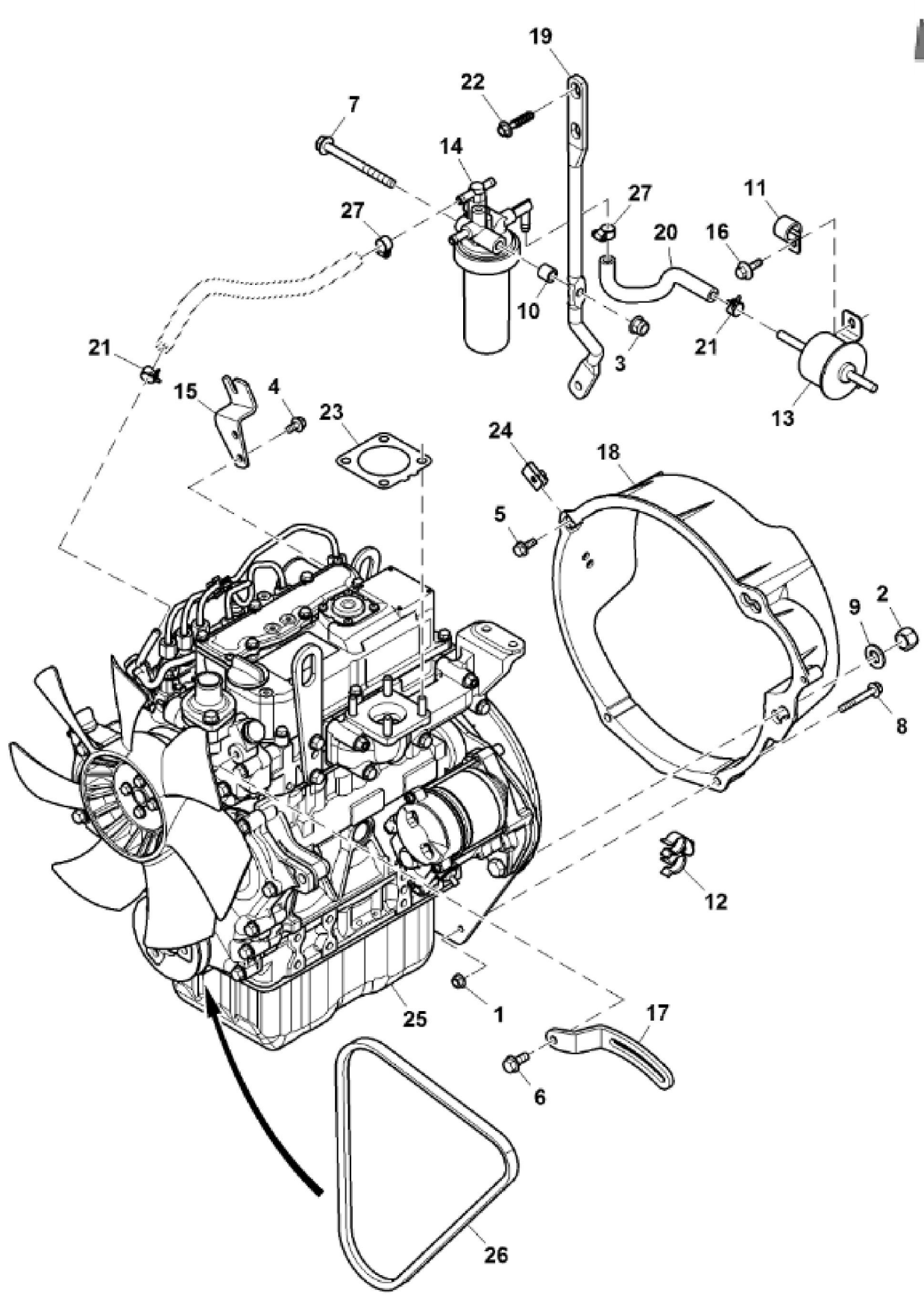
Hello dear friend!

Thank you very much for reading.

Enter the link into your browser.

The full manual is available for immediate download.

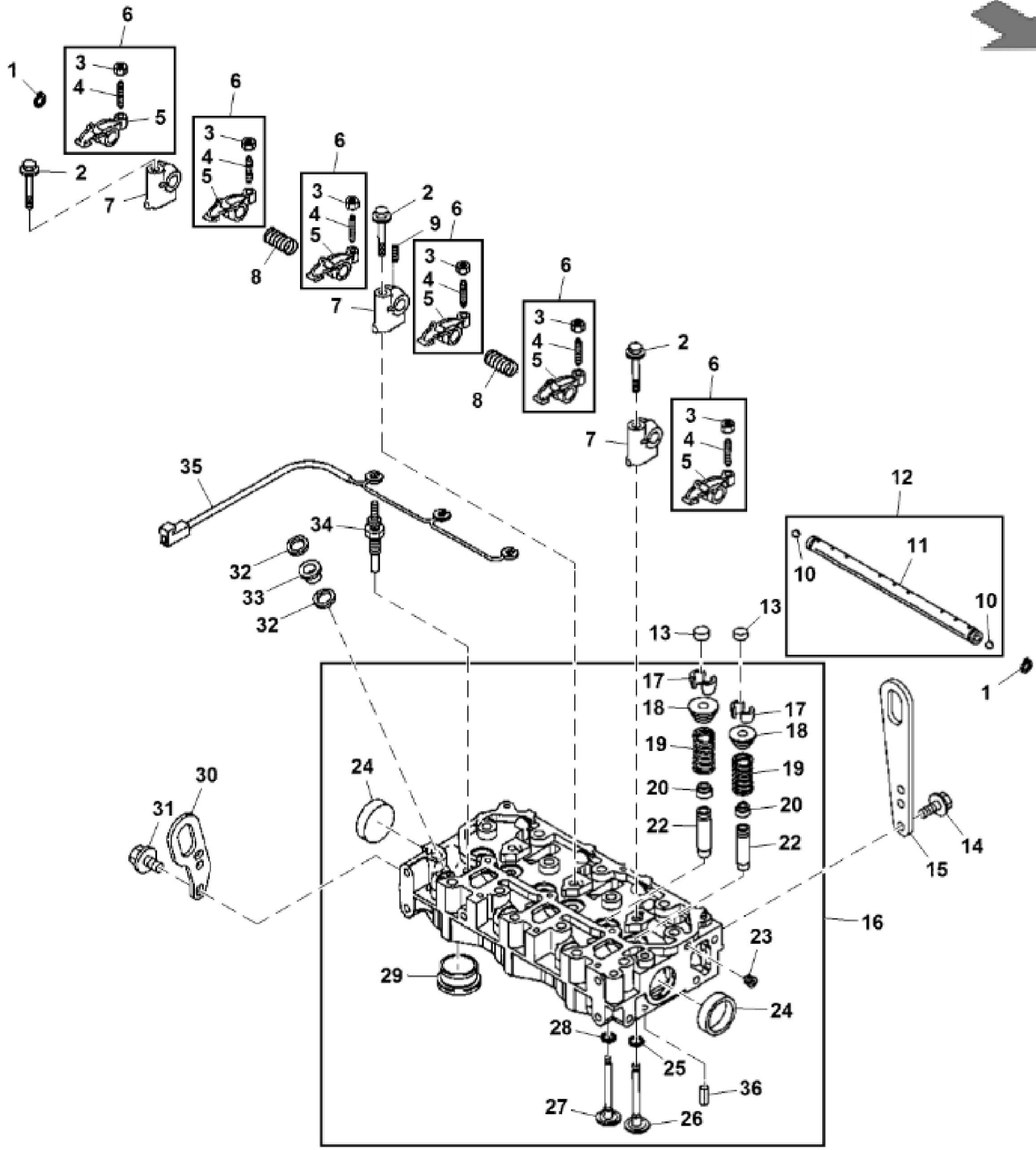
**<https://www.ebooklibonline.com>**



LV248234

John Deere > Turf And Utility >TRACTOR, COMPACT UTILITY >60D - TRACTOR, COMPACT UTILITY >1023E Compact Utility Tractor (with 54D, 60D AutoConnect Mower Deck) >20 ENGINE >ST841975 - DIESEL ENGINE, 3TNM74F

KEY	PART NO.	PART NAME	QTY	REMARKS
1	14M7303	FLANGE NUT	2	M6
2	14M7367	LOCK NUT	2	M12
3	14M7396	LOCK NUT	1	M8
4	19M7774	SCREW	2	M6 X 12
5	19M7775	SCREW	1	M6 X 16
6	19M7866	SCREW	1	M8 X 20
7	19M7913	SCREW	1	M8 X 90
8	19M8321	SCREW	2	M6 X 45
9	24M7047	WASHER	2	13 X 24 X 2.500 mm
10	28H3450	SPACER	1	0.364" X 0.540" X 1/2"
11	AH77724	CLIP	1	
12	AL157115	CLIP	1	
13	AM876266	FUEL PUMP	1	
14	MIA883607	FUEL FILTER	1	SUB FOR AM882413
15	LVU22124	SUPPORT	1	
16	LVU22419	BOLT	2	
17	LVU24754	ADJUSTING STRAP	1	
18	LVU33746	COVER	1	SUB FOR LVU26806
19	LVU28439	ROD	1	
20	LVU28736	HOSE	1	(Pump To Filter)
21	M131032	CLAMP	3	
22	M146384	SCREW	3	
23	M811089	GASKET	1	
24	M84972	NUT	1	
25	MIA13082	DIESEL ENGINE	1	MARKED 3TNM74F-NCJT
26	MIU800681	V-BELT	1	
27	TY22462	CLAMP	3	



John Deere > Turf And Utility >TRACTOR, COMPACT UTILITY >60D - TRACTOR, COMPACT UTILITY >1023E Compact Utility Tractor (with 54D, 60D AutoConnect Mower Deck) >20 ENGINE >ST569543 - CYLINDER HEAD, VALVES AND ROCKER ARMS

KEY	PART NO.	PART NAME	QTY	Engine Serial No.	REMARKS
1	M87818	SNAP RING	2		
2	19M8317	SCREW	3		M8 X 40
3	M801028	NUT	6		
4	M801027	SCREW	6		
5	.....	ROCKER ARM	1		
6	AM882423	ROCKER ARM	6		
7	M811846	SUPPORT	3		
8	MIU800298	SPRING	2		
9	M87893	SCREW	1		
10	.....	BALL	2		
11	.....	ROCKER ARM SHAFT	1		
12	MIA880278	ROCKER ARM SHAFT	1		
13	M811804	CAP	6		
14	19M7865	SCREW	2		M8 X 16
15	AT211695	HANGER	1		
16	MIA881559	CYLINDER HEAD	1	____-310000	
16	MIA884063	CYLINDER HEAD	1	310001-____	SUB FOR MIA882284
17	M811844	RETAINER	12		
18	M811966	RETAINER	6		
19	M811842	SPRING	6		
20	M811850	SEAL	3		
21	M811851	SEAL	3		
22	MIU800305	GUIDE	6		
23	M808706	PLUG	1		
24	M811808	PLUG	2		
25	MIU802290	VALVE SEAT INSERT	3		INTAKE
26	MIU802531	VALVE	3		
27	MIU802532	EXHAUST VALVE	3		
28	MIU802291	VALVE SEAT INSERT	3		EXHAUST
29	.....	CHAMBER	3		(NSEP)
30	MIU800461	BRACKET	1		
31	CH19780	BOLT	2		
32	M89135	GASKET	6		



**Suggest:**

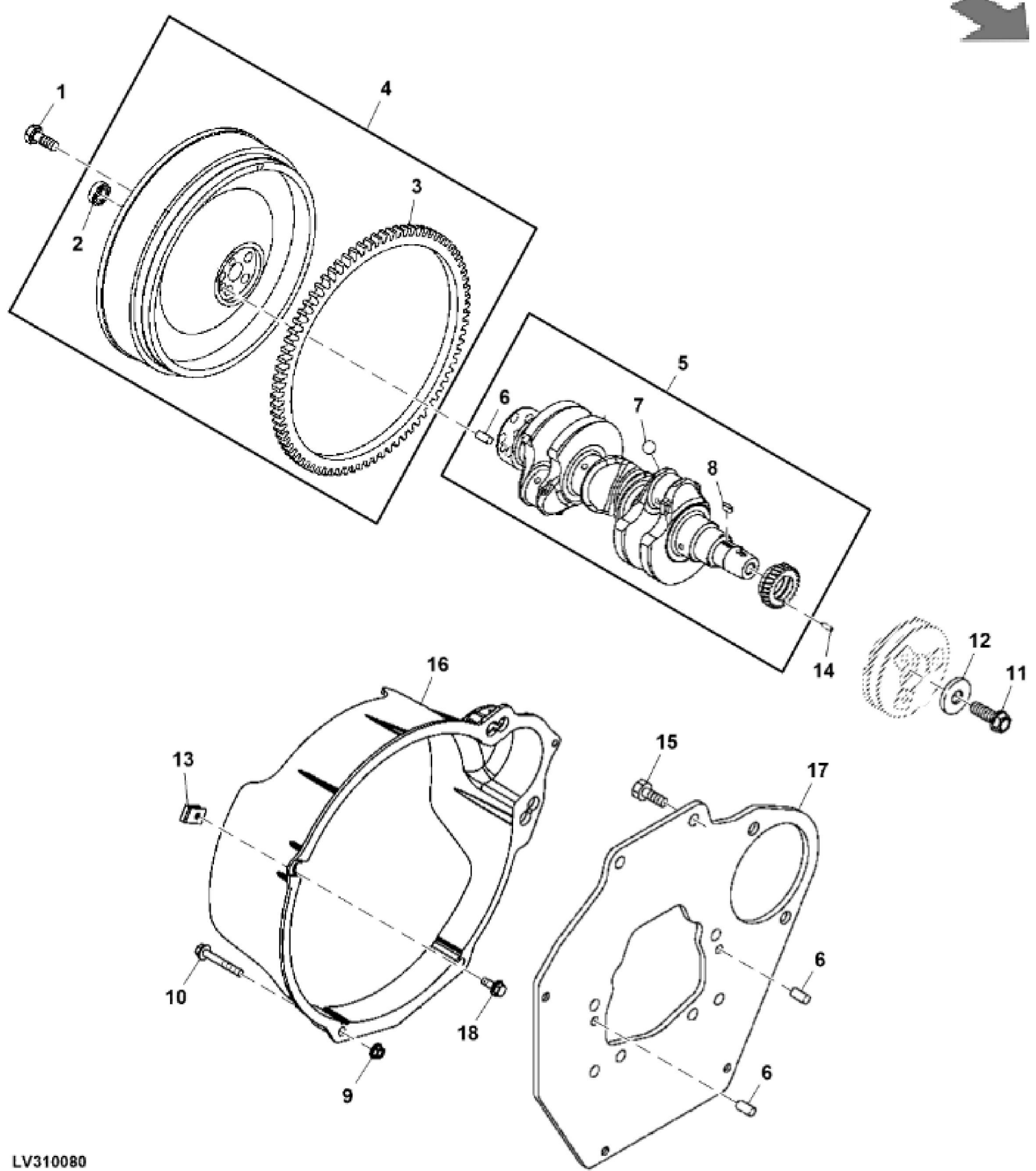
**For more complete manuals. Please go to the home page.**

**<https://www.ebooklibonline.com>**

**If the above button click is invalid. Please download this document first, and then click the above link to download the complete manual.**

**Thank you so much for reading**

KEY	PART NO.	PART NAME	QTY	Engine Serial No.	REMARKS	
33	M811967	SHIELD	3			
34	MIU801643	GLOW PLUG	3	____-310000		
34	MIU802457	GLOW PLUG	3	310001-____		
35	MIU801644	CONNECTOR	1	____-310000		
35	M811938	ELEC. CONNECTOR TERMINAL	1	310001-____		
36	CH18079	SPRING PIN	2			



LV310080

**<https://www.ebooklibonline.com>**

Hello dear friend!

Thank you very much for reading.

Enter the link into your browser.

The full manual is available for immediate download.

**<https://www.ebooklibonline.com>**