

KEY	PART NO.	PART NAME	QTY	REMARKS	
1	R521401	MEDALLION	1	SUB FOR R116324	
2	H23125	PLUG	4		
3	R123574	NUT	4		
4	R123575	O-RING	4		
5	R524480	GASKET	1	SUB FOR R123542	
6	RE502969	VALVE COVER	1	MARKED R519779	
7	RE70401	VALVE COVER	1	MARKED R519777	
8	RE59801	PLUG	1	USE WITH RE70401	
9	U11017	O-RING	1	USE WITH RE70401	

**<https://www.ebooklibonline.com>**

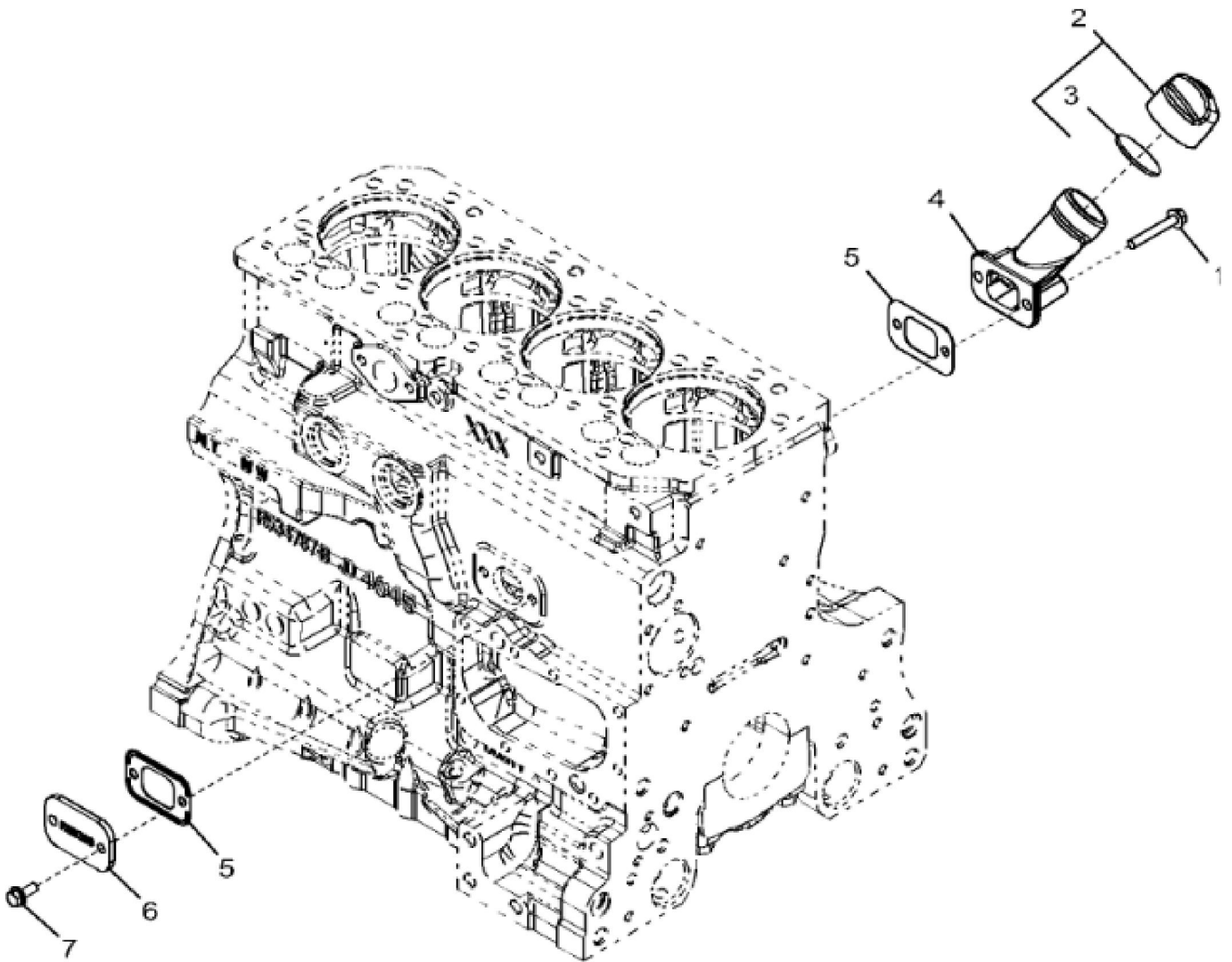
Hello dear friend!

Thank you very much for reading.

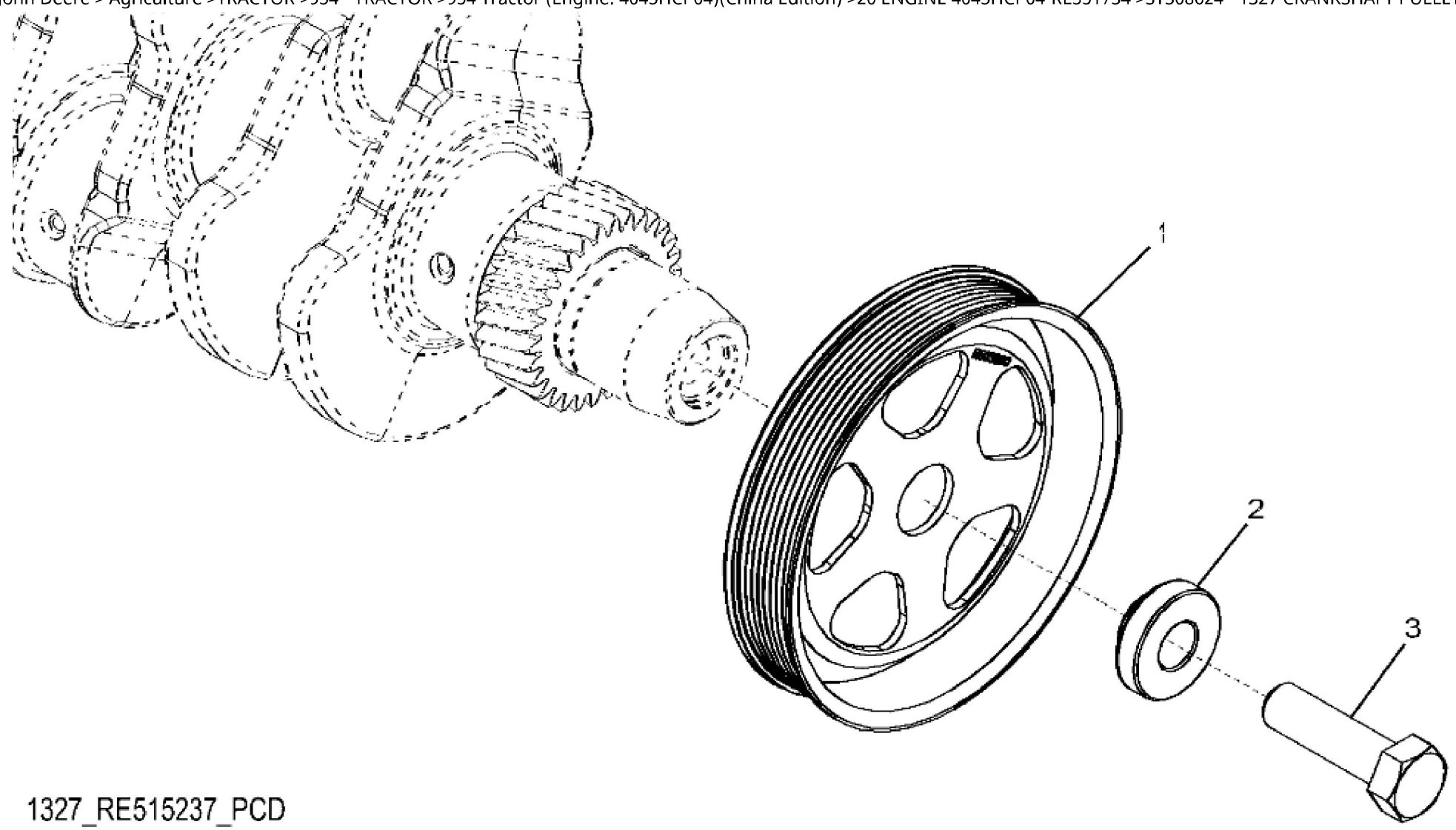
Enter the link into your browser.

The full manual is available for immediate download.

**<https://www.ebooklibonline.com>**



KEY	PART NO.	PART NAME	QTY	REMARKS	
1	19M7979	SCREW	2	M8 X 55	
2	RE529554	FILLER CAP	1		
3	R80135	GASKET	1		
4	R532599	FILLER NECK	1	SUB FOR R521157	
5	R136495	GASKET	2		
6	R116296	COVER	1		
7	RE67238	SCREW	2	(Threads With Pre-Applied Sealant)	



1327\_RE515237\_PCD



**Suggest:**

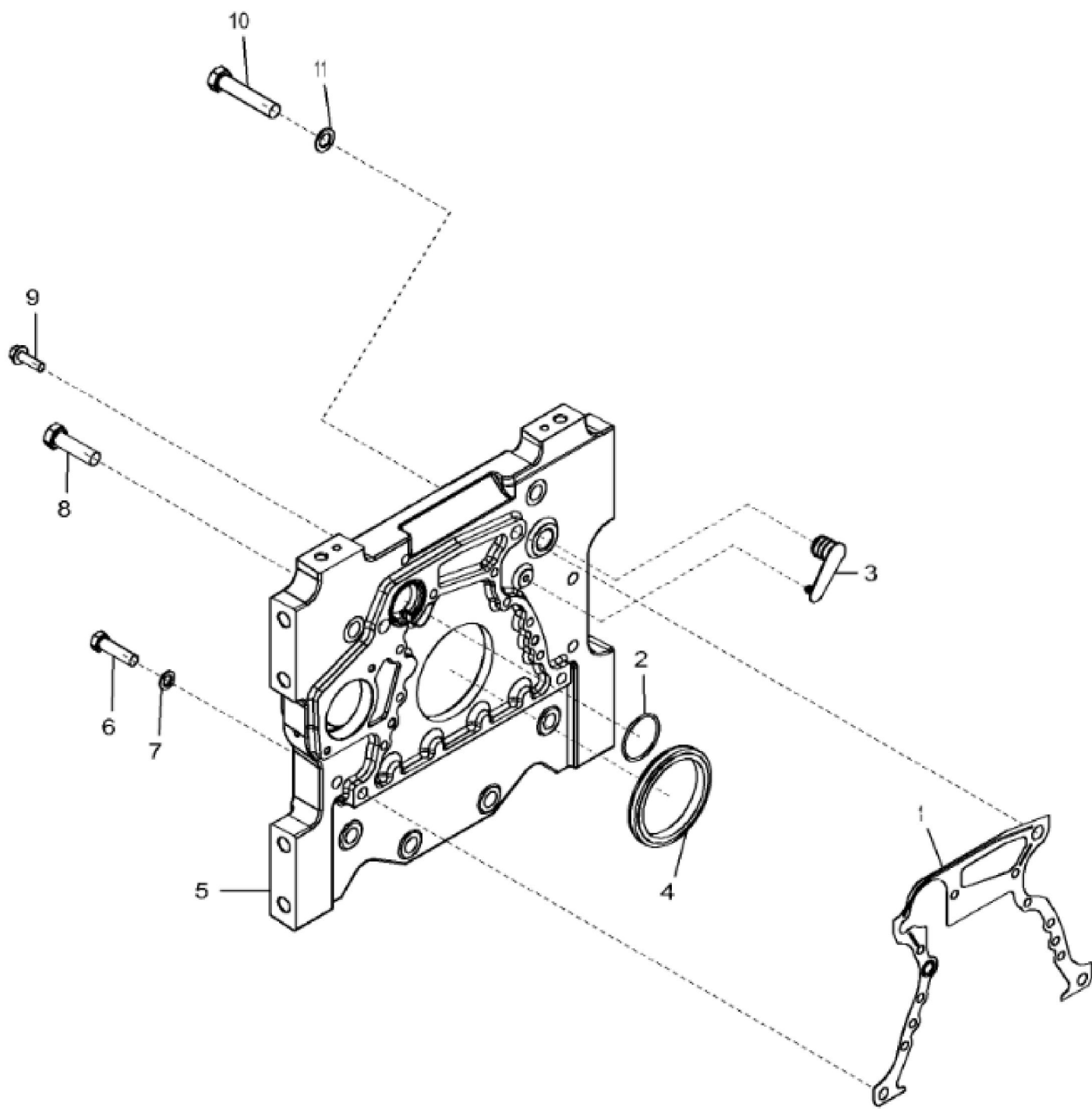
**For more complete manuals. Please go to the home page.**

**<https://www.ebooklibonline.com>**

**If the above button click is invalid. Please download this document first, and then click the above link to download the complete manual.**

**Thank you so much for reading**

KEY	PART NO.	PART NAME	QTY	REMARKS	
1	R503880	PULLEY	1	OD = 188 mm	
2	R515040	BUSHING	1	OD = 50 mm	
3	R516648	CAP SCREW	1	M20 X 70	



**<https://www.ebooklibonline.com>**

Hello dear friend!

Thank you very much for reading.

Enter the link into your browser.

The full manual is available for immediate download.

**<https://www.ebooklibonline.com>**