

RP536

COVER (3T80J) (850) (- 20000)

KEY	PART NO.	PART NAME	QTY	Engine Serial No.	REMARKS
1	CH11596	BOLT	1		(NLA)
2	CH10201	NUT	1		(NLA)
3	CH10620	SCREW	3		M5 X 12
4	CH10199	SPACER	3		(NLA)
5	CH10195	LEVER	1		(NLA)
6	24M7088	WASHER	4		6.600 X 12 X 1.600 mm, (SUB FOR CH10522)
7	14M7272	NUT	4		M6
8	19M7300	CAP SCREW	6		M6 X 10
9	CH10446	COVER	3		
10	M811640	GASKET	3		(SUB FOR CH10448 OR CH12817)
11	CH14073	COVER	1	____-XXXXXX	(WHEN REPLACING VALVE COVER REMOVE AND DISCARD COMPRESSION RELEASE LINKAGE.) (NLA) (ALSO INCLUDES CH10129) (ALSO ORDER (3) CH10446, (3) CH12817 AND (6) 19M7300) (SUB FOR CH10651)
12	CH10348	NUT	3		
13	CH10568	PACKING	3		
14	CH10129	GASKET	1		
15	CH10531	PIN	3		M3 X 25
16	14M7229	NUT	3		M5
17	CH12587	SCREW	3		(NLA)
18	CH10194	SHAFT	3		
19	CH10567	O-RING	3		
20	CH10080	SPRING	3		
21	CH10196	LEVER	2		
22	CH10126	LINK	1		(NLA)

<https://www.ebooklibonline.com>

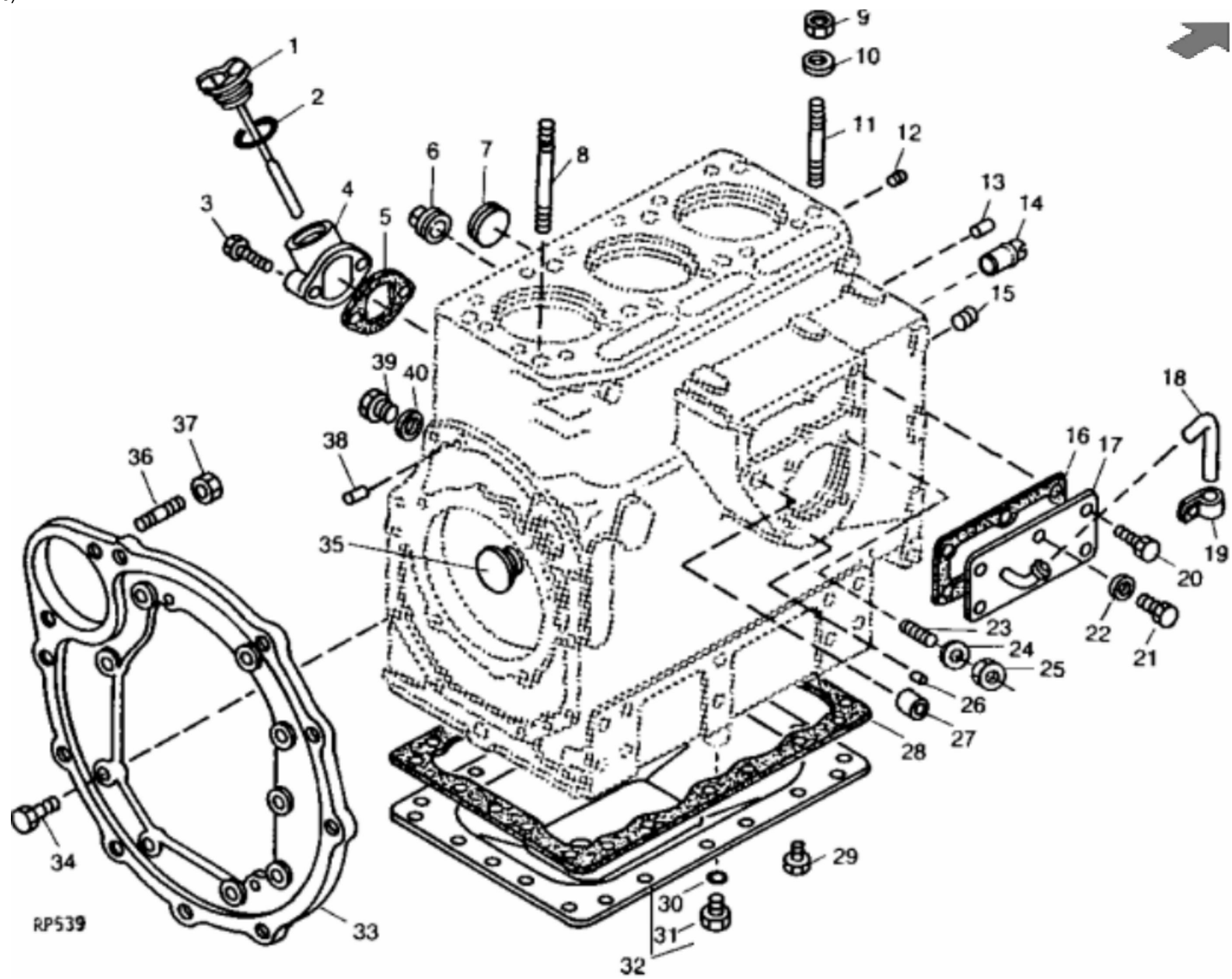
Hello dear friend!

Thank you very much for reading.

Enter the link into your browser.

The full manual is available for immediate download.

<https://www.ebooklibonline.com>



RP539

John Deere > Turf And Utility >TRACTOR, COMPACT UTILITY >950 - TRACTOR, COMPACT UTILITY >850 (-16000) & 950 (-20000) Compact Utility Tractors >20 ENGINE >ST631035 - CYLINDER BLOCK PARTS (3T80J) (850)

KEY	PART NO.	PART NAME	QTY	Tractor Serial No.	REMARKS
1	CH10119	DIPSTICK	1		(NLA)
2	CH15414	O-RING	1		
3	19M7298	CAP SCREW	2		M8 X 35
4	CH10173	FLANGE	1		(NLA)
5	M810521	GASKET	1		(SUB FOR CH10360 OR CH12818)
6	15H562	PIPE PLUG	1		1"
7	37M7023	SCREW	2		
8	CH10326	BOLT	1		
9	CH10087	NUT	8		
10	CH10065	WASHER	8		
11	CH10325	BOLT	7		
12	CH10314	PLUG	2		
13	M802255	PIN	2		(SUB FOR CH10534)
14	CH10363	PIPE	1		
15	CH10335	PLUG	1		PT 1/4"
16	M811636	GASKET	1		(SUB FOR CH10334 OR CH12815)
17	CH10179	COVER	1		
18	CH10552	PIPE	1		M9 X 500
19	CH10331	CLAMP	1		
20	19M7560	CAP SCREW	2		M6 X 16
21	CH10577	BOLT	4		M6 X 14
22	24M7054	WASHER	4		6.400 X 12 X 1.600 mm
23	CH15722	STUD	2		M8 X 22
24	M803523	WASHER	2	____-XXXXXX	M8, (SUB FOR CH10645 OR M806424)
24	12M7065	LOCK WASHER	2	XXXXXX-____	8 mm
25	14M7273	NUT	2	____-016000	M8
25	14M7298	FLANGE NUT	2	016001-____	M8
26	CH10532	PIN	1		4AW X 10
27	CH10465	BUSHING	1		
28	M811637	GASKET	1		(SUB FOR CH10118 OR CH12820)
29	CH19780	BOLT	20		(SUB FOR CH10581 OR CH12839)
30	CH10569	O-RING	1		
31	CH10315	PLUG	1		



Suggest:

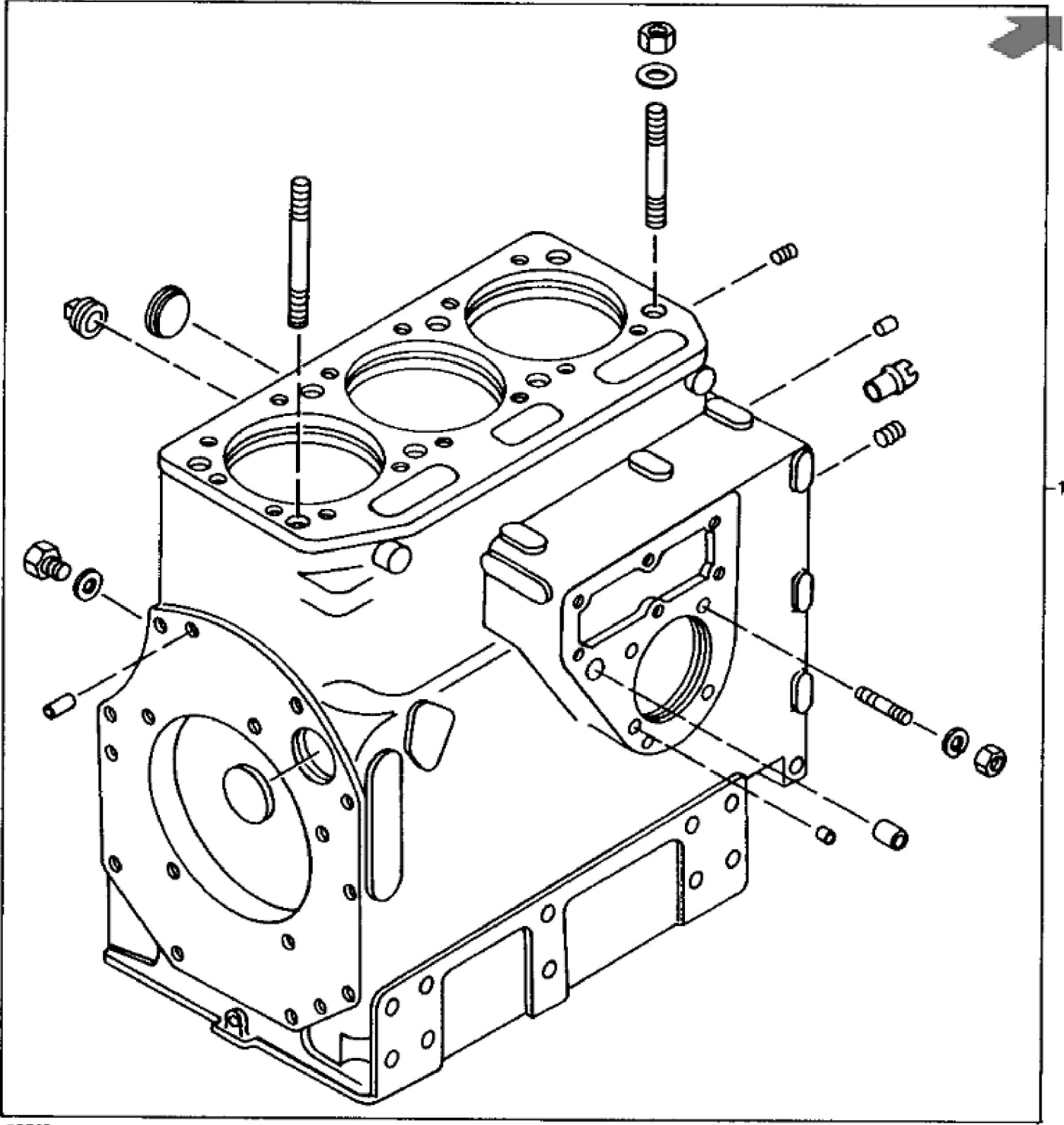
For more complete manuals. Please go to the home page.

<https://www.ebooklibonline.com>

If the above button click is invalid. Please download this document first, and then click the above link to download the complete manual.

Thank you so much for reading

KEY	PART NO.	PART NAME	QTY	Tractor Serial No.	REMARKS	
32	CH15733	OIL PAN	1		(SUB FOR CH10647)	
33	CH10116	FLANGE	1			
34	CH13938	BOLT	8		(SUB FOR CH10593)	
35	M804593	PLUG	1		(SUB FOR CH10641)	
36	CH10389	STUD	2		(NLA)	
37	14M7275	NUT	2		M12	
38	CH10535	PIN	2		M8 X 20	
39	CH10561	PLUG	3		M10	
40	CH10183	O-RING	3		M10	



RP541

<https://www.ebooklibonline.com>

Hello dear friend!

Thank you very much for reading.

Enter the link into your browser.

The full manual is available for immediate download.

<https://www.ebooklibonline.com>