

RWP3562

John Deere > Turf And Utility >TRACTOR, COMPACT UTILITY >950 - TRACTOR, COMPACT UTILITY >850 (16001-), 950 (20001-) and 1050 (11001-) Compact Utility Tractors >20 ENGINE >ST631280 -
ROCKER ARM COVER (950/1050)

KEY	PART NO.	PART NAME	QTY	950	1050	REMARKS	
1	CH10451	BOLT	3	X	X		
2	CH10569	PACKING	3	X	X		
3	19M7300	CAP SCREW	4	X	X	M6 X 10	
4	CH10446	COVER	2	X	X		
5	M811640	GASKET	2	X	X	(SUB FOR CH12817)	
6	M805710	CAP	1	X	X	(SUB FOR CH10332)	
7	T32587	O-RING	1	X	X	(SUB FOR CH10572)	
8	CH13884	ENGINE CYLINDER HEAD GASKET	1	X	X		
9	CH14074	COVER	1	X	X	(NLA)	

<https://www.ebooklibonline.com>

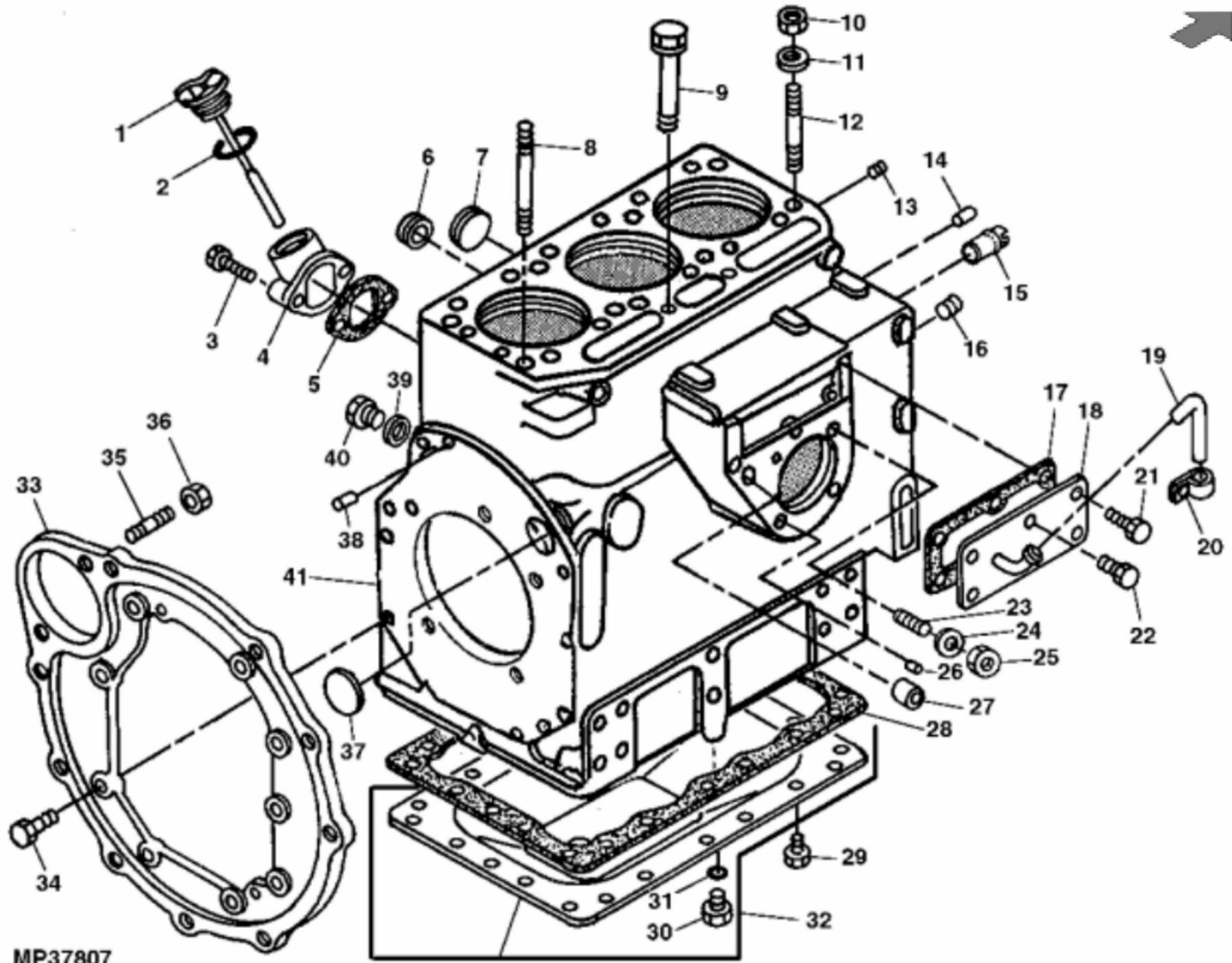
Hello dear friend!

Thank you very much for reading.

Enter the link into your browser.

The full manual is available for immediate download.

<https://www.ebooklibonline.com>



MP37807

CYLINDER BLOCK PARTS

KEY	PART NO.	PART NAME	QTY	850	950	1050	REMARKS
1	CH10178	DIPSTICK	1		X	X	NLA
1	CH10119	DIPSTICK	1	X			(NLA)
2	CH15414	PACKING	1				
3	19M7298	CAP SCREW	2				M8 X 35
4	CH10173	FLANGE	1				(NLA)
5	M810521	GASKET	1				(SUB FOR CH12818)
6	15H562	PIPE PLUG	1				1", (A) (B)
7	30M7023	PLUG	2				(A) (B)
8	CH10385	BOLT	1		X	X	(B)
8	CH10326	BOLT	1	X			(A)
9	CH12841	BOLT	2		X	X	M10 X 100
10	CH10387	NUT	8		X	X	(B)
10	CH10087	NUT	8	X			(A)
11	CH10386	WASHER	8		X	X	(B)
11	CH10065	WASHER	8	X			(A)
12	CH10384	BOLT	7		X	X	(B)
12	CH10325	BOLT	7	X			(A)
13	CH10314	PLUG	2				(A) (B)
14	M802255	PIN	2				(A) (B) (SUB FOR CH10534)
15	CH10363	PIPE	1				(A) (B)
16	CH10335	PLUG	1				PT 1/4", (A) (B)
17	M811639	GASKET	1				(SUB FOR CH12815)
18	CH10179	COVER	1				
19	CH10552	PIPE	1				M9 X 500
20	CH10331	CLAMP	1				
21	CH19140	BOLT	2				M6 X 14
22	19M7864	SCREW	4				M8 X 12
23	CH15722	STUD	2		X	X	M8 X 22, (A) (B)
24	12M7065	LOCK WASHER	2				8 mm, (A) (B)
25	14M7298	FLANGE NUT	2				M8, (A) (B)
26	CH10532	PIN	1				M4 X 10, (A) (B) (NLA)
27	CH10465	BUSHING	1				(A) (B)
28	M811638	GASKET	1		X	X	(SUB FOR CH12821)
28	M811637	GASKET	1	X			(SUB FOR CH12820)

KEY	PART NO.	PART NAME	QTY	850	950	1050	REMARKS
29	CH19780	BOLT	20				(SUB FOR CH12839)
30	CH10315	PLUG	1				
31	CH10569	PACKING	1				
32	CH12810	OIL PAN	1		X	X	
32	CH15733	OIL PAN	1	X			
33	CH10175	FLANGE	1		X	X	(NLA)
33	CH10116	FLANGE	1	X			
34	CH13938	BOLT	9				M10 X 28
35	CH10389	STUD	2				(NLA)
36	14M7275	NUT	2				M12
37	M806843	PLUG	1		X	X	M40, (B) (SUB FOR CH10640)
37	M809593	PLUG	1	X			(A) (SUB FOR CH10641)
38	CH10535	PIN	2				M8 X 20, (A) (B)
39	CH10183	PACKING	3	X	X		M10, (A) (B)
39	CH10183	PACKING	2			X	(B)
40	CH10561	PLUG	3	X	X		M10, (A) (B)
40	CH10561	PLUG	2			X	(B)
41	CH12048	CYLINDER BLOCK	1	X			(INCLUDES PARTS MARKED (A))
41	CH18173	CYLINDER BLOCK	1		X	X	(INCLUDES PARTS MARKED (B)) (NLA)



Suggest:

For more complete manuals. Please go to the home page.

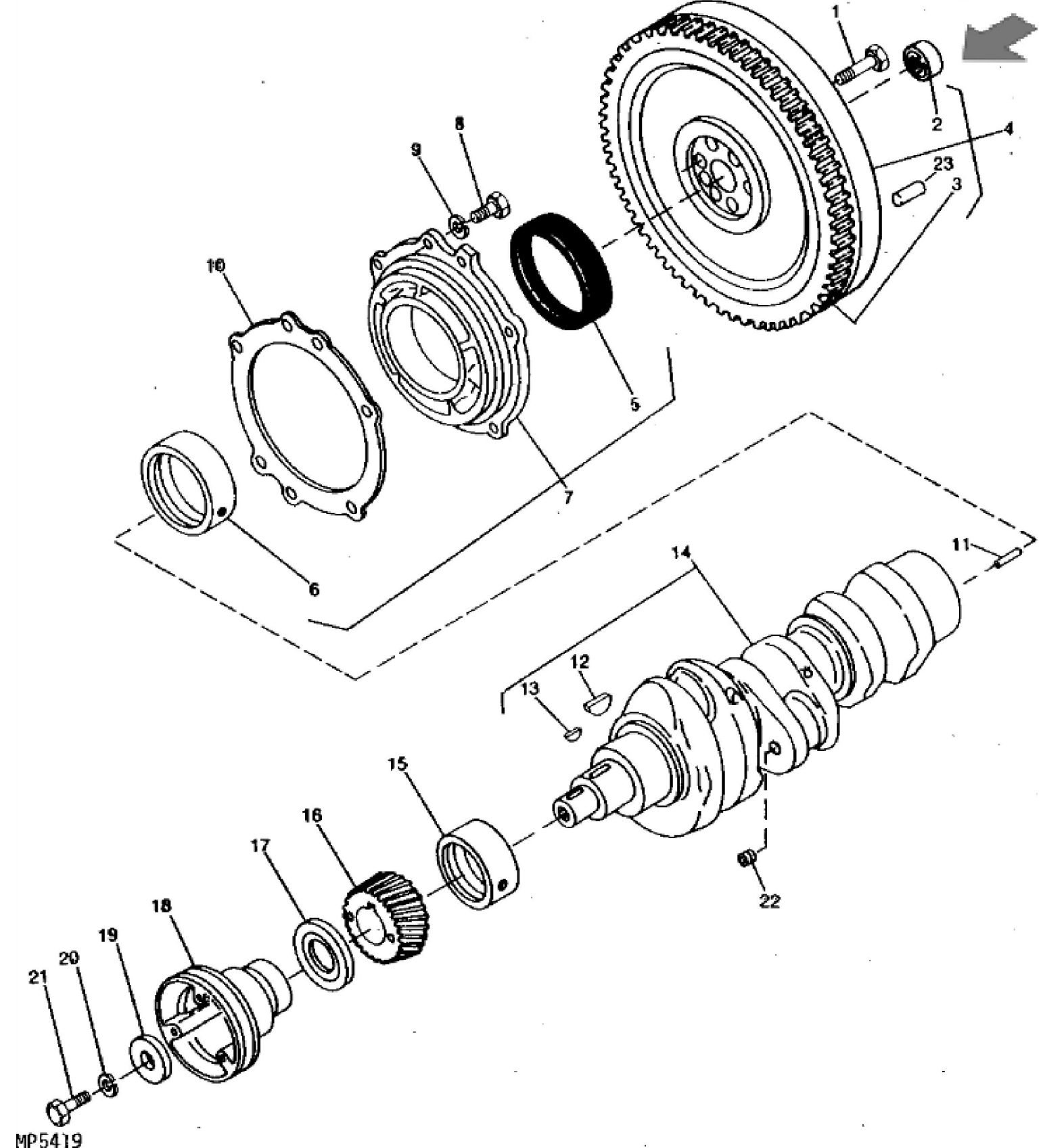
<https://www.ebooklibonline.com>

If the above button click is invalid. Please download this document first, and then click the above link to download the complete manual.

Thank you so much for reading

John Deere > Turf And Utility >TRACTOR, COMPACT UTILITY >950 - TRACTOR, COMPACT UTILITY >850 (16001-), 950 (20001-) and 1050 (11001-) Compact Utility Tractors >20 ENGINE >ST631283 - PISTON, RINGS AND LINER

KEY	PART NO.	PART NAME	QTY	Engine Serial No.	850	950	1050	REMARKS
1	CH12046	PISTON RING	3		X			
1	CH12053	PISTON RING	3			X		
1	CH12924	PISTON RING	3				X	
2	CH10355	PISTON RING	3		X			(44.8 MM), HEAD TO PIN DIMENSION
2	CH11803	PISTON RING	3			X		
2	CH15731	PISTON RING	1				X	
3	CH10071	RING	6		X			
3	CH10096	RING	6			X	X	
4	CH10070	PIN	3		X			
4	CH11762	PIN	3			X	X	
5	MIU801273	BUSHING	3		X			(SUB FOR CH10357)
5	M806859	BUSHING	3			X	X	(SUB FOR CH10410)
6	AM875927	BEARING	3		X			(SUB FOR CH10358)
6	AM875933	BEARING	3		X			0.25MM (.0098") US, (SUB FOR CH17671)
6	AM875934	BEARING	3		X			0.50 mm, NLA; SUB FOR CH17672
6	AM875930	BEARING	3			X	X	(SUB FOR CH10412 OR CH20071)
6	AM875937	BEARING	3			X	X	0.25MM(.0098") US, (SUB FOR CH17681)
6	AM875938	BEARING	3			X	X	0.50MM (.0197") US, (SUB FOR CH17682)
7	CH10092	BOLT	6		X			
7	CH10411	BOLT	6			X	X	
8	CH10682	ROD	3		X			
8	CH10683	ROD	3			X	X	
9	CH10327	PACKING	3		X			
9	CH16109	PACKING	3			X	X	(SUB FOR CH10464)
10	CH13580	O-RING	3		X			
10	CH13596	O-RING	3			X	X	
11	CH13597	CYLINDER LINER	3		X			
11	CH13598	CYLINDER LINER	3			X		
11	CH15730	CYLINDER LINER	3	____-089472			X	(FIBER) M808712 HEAD GASKET FOR 950/1050 SN. -11173
11	CH19591	CYLINDER LINER	3	089473-____			X	(METALLIC) CH19594 HEAD GASKET SN. 11174-



MP5419

<https://www.ebooklibonline.com>

Hello dear friend!

Thank you very much for reading.

Enter the link into your browser.

The full manual is available for immediate download.

<https://www.ebooklibonline.com>