

MP61510

KEY	PART NO.	PART NAME	QTY	REMARKS	
1	AM131384	GASOLINE ENGINE	1	(FD791D-AS02) (SUB MIA10762)	
1	AM133919	GASOLINE ENGINE	1	(FD791D-BS02) (SUB MIA10762)	
1	AM135058	GASOLINE ENGINE	1	(FD791D-CS02) (SUB MIA10762)	
1	MIA10514	GASOLINE ENGINE	1	(FD791D-DS02) (SUB MIA10762)	
1	MIA10762	GASOLINE ENGINE	1	(FD791D-ES02)	
1	AM132916	SHORT BLOCK ASSEMBLY	1		

<https://www.ebooklibonline.com>

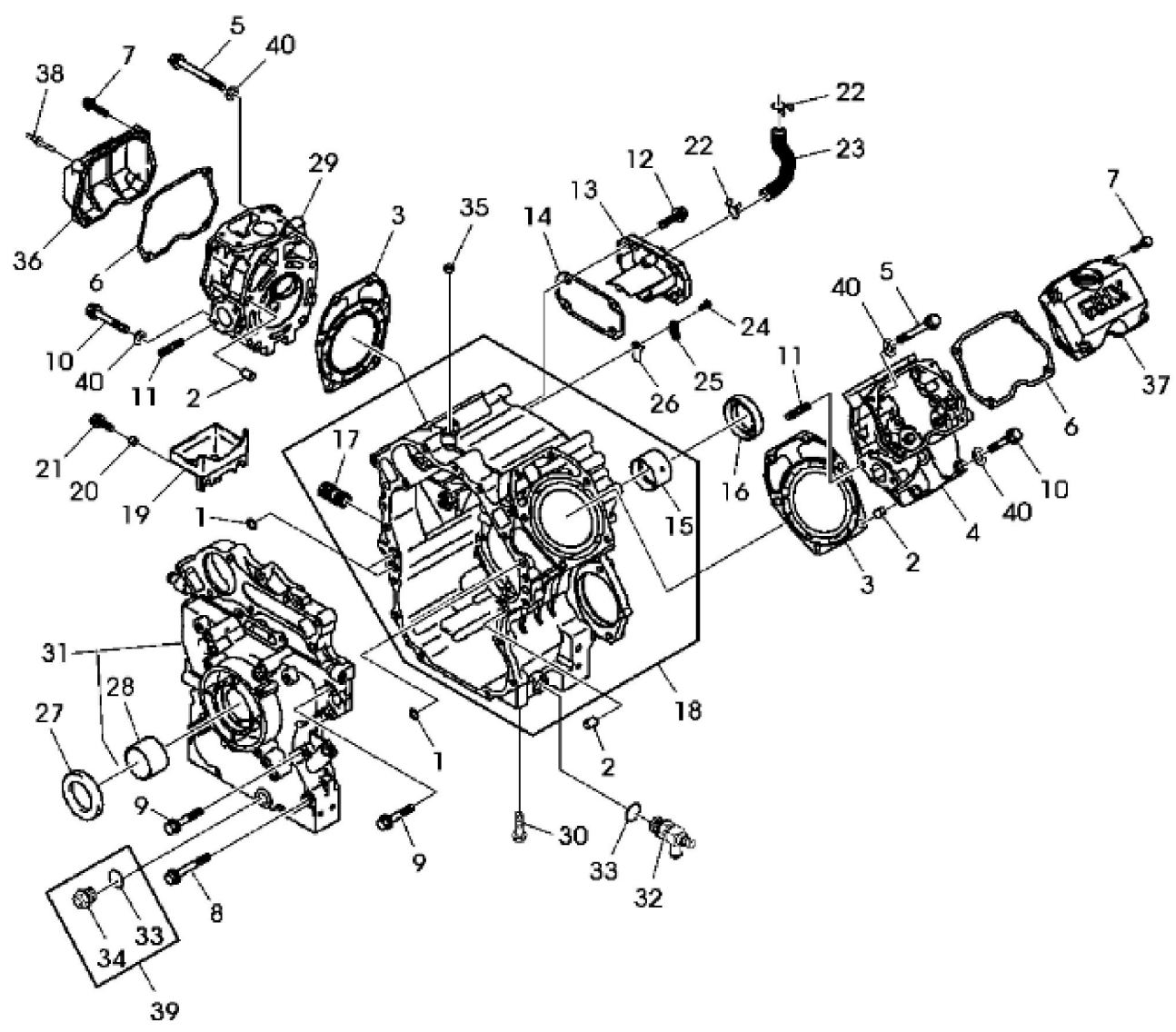
Hello dear friend!

Thank you very much for reading.

Enter the link into your browser.

The full manual is available for immediate download.

<https://www.ebooklibonline.com>



PU00407

John Deere > Turf And Utility >TRACTOR, LAWN AND GARDEN >FD791D - TRACTOR, LAWN AND GARDEN >797 Max-Frame ZTrak >20 ENGINE TCM10719 >ST576192 - CYLINDER HEADS AND CRANKCASE

KEY	PART NO.	PART NAME	QTY	REMARKS
1	M76104	O-RING	2	
2	M70227	PIN	6	
3	M147293	ENGINE CYLINDER HEAD GASKET	2	
4	MIU14325	CYLINDER HEAD	1	SUB FOR AM132282
5	MIU11493	BOLT	8	(SUB FOR M147306)
6	M147297	GASKET	2	
7	19M7796	SCREW	8	M6 X 30, (FD791D-AS02)
7	19M7796	SCREW	7	M6 X 30, (FD791D-BS02, -CS02, -DS02, -ES02)
8	M139490	BOLT	4	(SUB FOR M94242)
9	19M8318	SCREW	6	M8 X 45
10	MIU11492	BOLT	4	(SUB FOR M147305)
11	M68144	STUD	4	NLA; ORDER MIU11949
12	19M7868	SCREW	4	M8 X 30, (SUB FOR M139403)
13	M147299	COVER	1	
14	M147296	GASKET	1	
15	MIU12134	BEARING	1	PLANE (SUB FOR M147304)
16	M147302	SEAL	1	
17	M127431	ADAPTER FITTING	1	USE WITH AM132283
18	MIA12868	CRANKCASE	1	SUB FOR AM132283
19	M146870	RECEIVER	1	
20	M117056	BUSHING	2	
21	M147332	BOLT	2	
22	M77734	CLAMP	2	
23	M147307	TUBE	1	
24	M95848	SCREW	2	
25	M147298	PLATE	2	
26	M147300	VALVE	2	
27	M147303	SEAL	1	
28	M148713	BEARING	1	
29	AM132281	CYLINDER HEAD	1	
30	19M7785	SCREW	4	M10 X 25
31	AM132929	COVER	1	
32	AM115362	DRAIN VALVE	1	
33	M76158	GASKET	1	



Suggest:

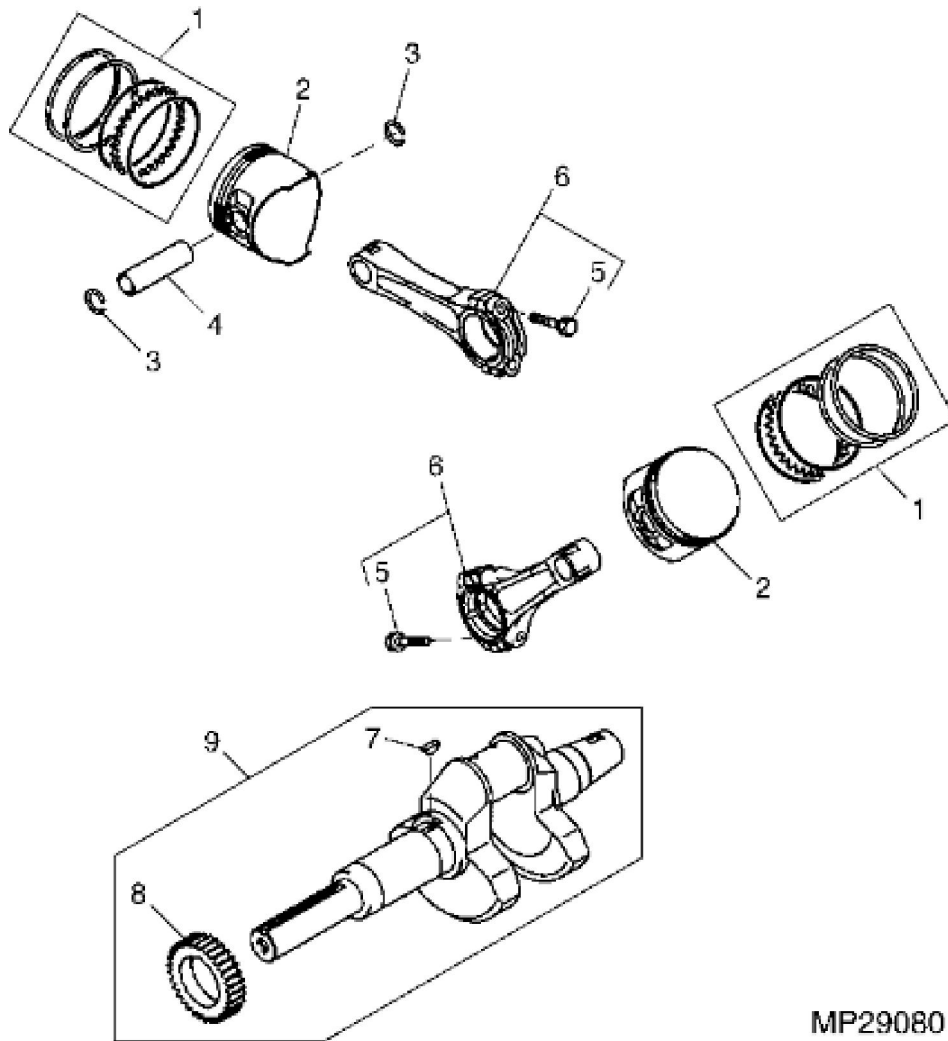
For more complete manuals. Please go to the home page.

<https://www.ebooklibonline.com>

If the above button click is invalid. Please download this document first, and then click the above link to download the complete manual.

Thank you so much for reading

KEY	PART NO.	PART NAME	QTY	REMARKS	
33	M113678	GASKET	1		
33	M88482	GASKET	1		
33	PT13876	GASKET	1		
34	PT14207	DRAIN PLUG	1		
35	MIU10833	SEAL	1	(SUB FOR M94387) (FD791D-AS02)	
36	M147294	VALVE COVER	1		
37	M147295	VALVE COVER	1		
38	M151519	BOLT	1	(FD791D-BS02, -CS02, -DS02, -ES02)	
39	AM134915	GASKET KIT	1	NLA (SUB COMPONENTS) (SUB FOR AM109035)	
40	24M7095	WASHER	12	8.400 X 15 X 1.600 mm	



MP29080

<https://www.ebooklibonline.com>

Hello dear friend!

Thank you very much for reading.

Enter the link into your browser.

The full manual is available for immediate download.

<https://www.ebooklibonline.com>