

## HEADS AND CRANKCASE

KEY	PART NO.	PART NAME	QTY	REMARKS
1	M146871	PIPE	1	
2	M138388	PIN	6	
3	M147908	ENGINE CYLINDER HEAD GASKET	2	(SUB FOR M140217)
4	AM135296	CYLINDER HEAD	1	(NO.2) (SUB FOR AM128732 OR AM132396)
5	M138394	BOLT	2	NLA; ORDER MIU11322
5	MIU11322	BOLT	2	
6	M140221	GASKET	2	ROCKER CASE
7	19M8477	CAP SCREW	4	M6 X 40
8	M146867	VALVE COVER	1	(CYLINDER HEAD NO.1)
8	M140218	VALVE COVER	1	(CYLINDER HEAD NO.2)
9	M138389	SEAL	4	OIL (SUB FOR M149280)
10	19M8319	SCREW	18	M8 X 50, (SUB FOR M138393 OR MIU11326)
11	M138395	STUD	4	NLA; ORDER MIU11736
11	MIU11736	BOLT	4	NLA; ORDER MIU12726
11	MIU12726	STUD	4	
12	19M7774	SCREW	4	M6 X 12
13	M140224	COVER	1	
14	M140222	GASKET	1	BREATHER
15	M146872	PIPE	1	(SUB MIU11522 AND MIU11523)
15	MIU11522	PIPE	1	
15	MIU11523	GASKET	1	O-RING
16	M149281	SEAL	1	OIL (SUB FOR M138390)
17	14M7396	LOCK NUT	4	M8
18	MIA10529	CRANKCASE	1	NLA (SUB FOR AM132125 OR AM132474) (SUB MIA11106, MIA11108, MIA11197, MIU11231 AND M153043) (FH721D-BS04, CS04, DS04)
18	MIA11106	CRANKCASE	1	
19	TCA17360	DRAIN VALVE	1	(SUB FOR TCA12370 OR TCA16240)
20	M88478	O-RING	2	
21	M138425	PLUG	2	
22	M146869	VALVE	1	REED ASSEMBLY
23	21M7244	SCREW	2	M4 X 8
24	MIU10794	GASKET	1	CRANKCASE (SUB FOR M146868)

**<https://www.ebooklibonline.com>**

Hello dear friend!

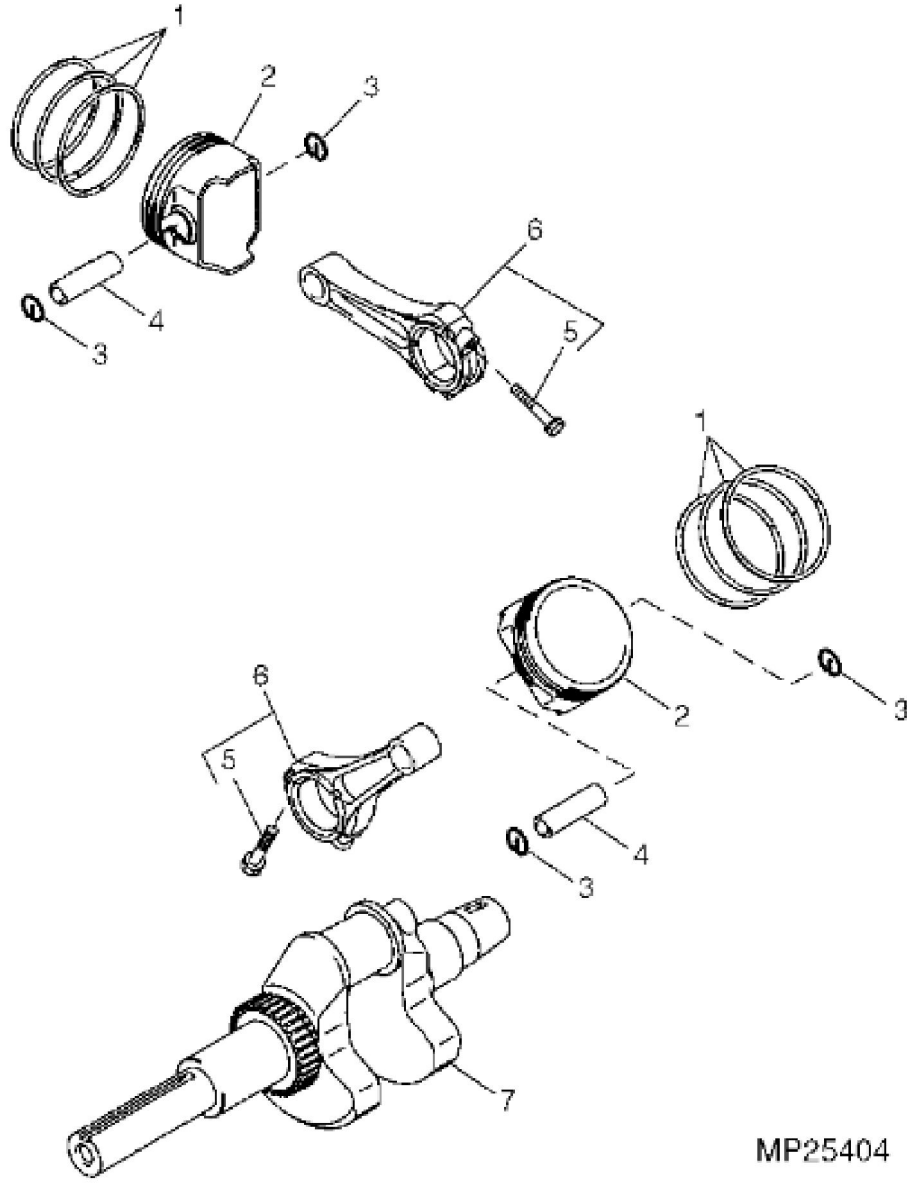
Thank you very much for reading.

Enter the link into your browser.

The full manual is available for immediate download.

**<https://www.ebooklibonline.com>**

KEY	PART NO.	PART NAME	QTY	REMARKS
25	MIA11447	COVER	1	CRANKCASE (SUB FOR M146873 OR M150450 OR M153200 OR M153043)
25	MIU10933	BUSHING	1	
26	M140231	SNAP RING	1	
27	MIU11104	SEAL	1	OIL (SUB FOR M146874)
28	M138392	SEAL	1	NLA; ORDER M151774; Oil
28	M151774	SEAL	1	
29	MIA10402	CYLINDER HEAD	1	(NO.1) (SUB FOR AM128731 OR AM132473)
30	19M8318	SCREW	4	M8 X 45
31	AM131193	GASOLINE ENGINE	1	NLA; ORDER AM134527; MARKED FH721D-BS04; Not Illustrated
31	AM134527	GASOLINE ENGINE	1	NLA; ORDER MIA10511; Not Illustrated
31	MIA10511	GASOLINE ENGINE	1	NLA; ORDER MIA11008; Not Illustrated
31	MIA11440	GASOLINE ENGINE	1	NLA; ORDER MIA12135; SUB FOR MIA11008; MARKED FH721D-FS04; Not Illustrated
31	MIA12135	GASOLINE ENGINE	1	MARKED FH721D-GS04-S; Not Illustrated



MP25404



**Suggest:**

**For more complete manuals. Please go to the home page.**

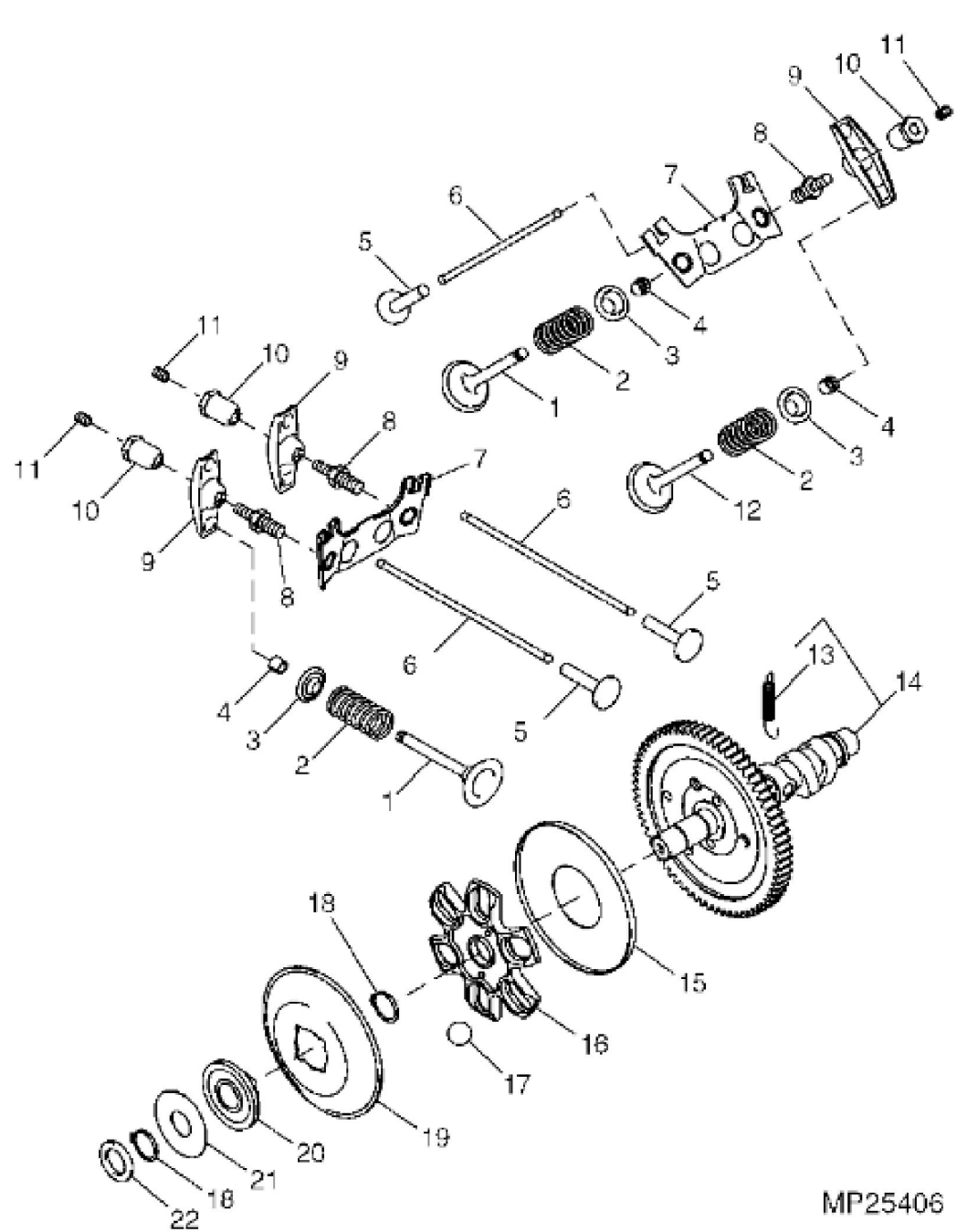
**<https://www.ebooklibonline.com>**

**If the above button click is invalid. Please download this document first, and then click the above link to download the complete manual.**

**Thank you so much for reading**

John Deere > Turf And Utility >TRACTOR, LAWN AND GARDEN >FH721D - TRACTOR, LAWN AND GARDEN >757 Mid-Mount ZTrak (Worldwide Edition) >20 ENGINE MIA12135 >ST576340 - PISTON AND CRANKSHAFT

KEY	PART NO.	PART NAME	QTY	REMARKS
1	AM128738	PISTON RING KIT	2	STANDARD
1	AM132069	PISTON RING KIT	AR	FOR .5MM OVERSIZE BORE
2	M143319	PISTON	2	STANDARD
2	M146875	PISTON	AR	FOR .5MM OVERSIZE BORE
3	M138398	SNAP RING	4	(SUB FOR M140233)
4	M138397	PISTON PIN	2	
5	M146763	BOLT	2	
6	AM132025	CONNECTING ROD	2	(FH721D-BS04, CS04)
6	MIA10804	CONNECTING ROD	2	(FH721D-DS04, ES04)
7	AM132070	CRANKSHAFT	1	(SUB MIA11106 AND MIA11108)
7	MIA11108	CRANKSHAFT	1	NLA; ORDER MIA12714
7	MIA12714	CRANKSHAFT	1	



MP25406

**<https://www.ebooklibonline.com>**

Hello dear friend!

Thank you very much for reading.

Enter the link into your browser.

The full manual is available for immediate download.

**<https://www.ebooklibonline.com>**