

MP60962

John Deere > Turf And Utility >TRACTOR, LAWN AND GARDEN >737 - TRACTOR, LAWN AND GARDEN >737 Mid-Mount ZTrak (Worldwide Edition) >20 ENGINE TCM11302 >ST581421 - CYLINDER HEADS AND CRANKCASE

KEY	PART NO.	PART NAME	QTY	Serial No.	REMARKS
1	M146871	PIPE	1		
2	M138388	PIN	6		
3	M147908	ENGINE CYLINDER HEAD GASKET	2		(SUB FOR M140217)
4	AM135296	CYLINDER HEAD	1		(NO.2) (SUB FOR AM128732 OR AM132396)
5	M138394	BOLT	2		NLA; ORDER MIU11322
5	MIU11322	BOLT	2		
6	M140221	GASKET	2		ROCKER CASE
7	19M8477	CAP SCREW	4		M6 X 40
8	M146867	VALVE COVER	1		(CYLINDER HEAD NO.1)
8	M140218	VALVE COVER	1		(CYLINDER HEAD NO.2)
9	M138389	SEAL	4		OIL (SUB FOR M149280)
10	19M8319	SCREW	18		M8 X 50, (SUB FOR M138393 OR MIU11326)
11	M138395	STUD	4		NLA; ORDER MIU11736
11	MIU11736	BOLT	4		NLA; ORDER MIU12726
11	MIU12726	STUD	4		
12	19M7774	SCREW	4		M6 X 12
13	M140224	COVER	1		
14	M140222	GASKET	1		BREATHER
15	M146872	PIPE	1		(SUB MIU11522 AND MIU11523)
15	MIU11522	PIPE	1		
15	MIU11523	GASKET	1		O-RING
16	M149281	SEAL	1		OIL (SUB FOR M138390)
17	M127431	ADAPTER FITTING	1		
18	AM132437	CRANKCASE	1		(SUB FOR AM132068) (ENGINE MARKED FH680D-BS04)
18	MIA10567	CRANKCASE	1		NLA (SUB FOR AM132125 OR AM132474) (SUB MIA11107 AND MIA11109) (ENGINE MARKED FH680D-CS04, FH680D-DS04)
18	MIA11107	CRANKCASE	1		(SUB MIA11663)
19	M146870	RECEIVER	1		OIL
20	M138439	SPACER	2	____-15300	(USE WITH M138439)
21A	19M7775	SCREW	2	____-15300	M6 X 16, (USE WITH M138439)
21B	M148369	SCREW	2	15301-____	
22	M146869	VALVE	1		REED ASSEMBLY
23	21M7244	SCREW	2		M4 X 8

**<https://www.ebooklibonline.com>**

Hello dear friend!

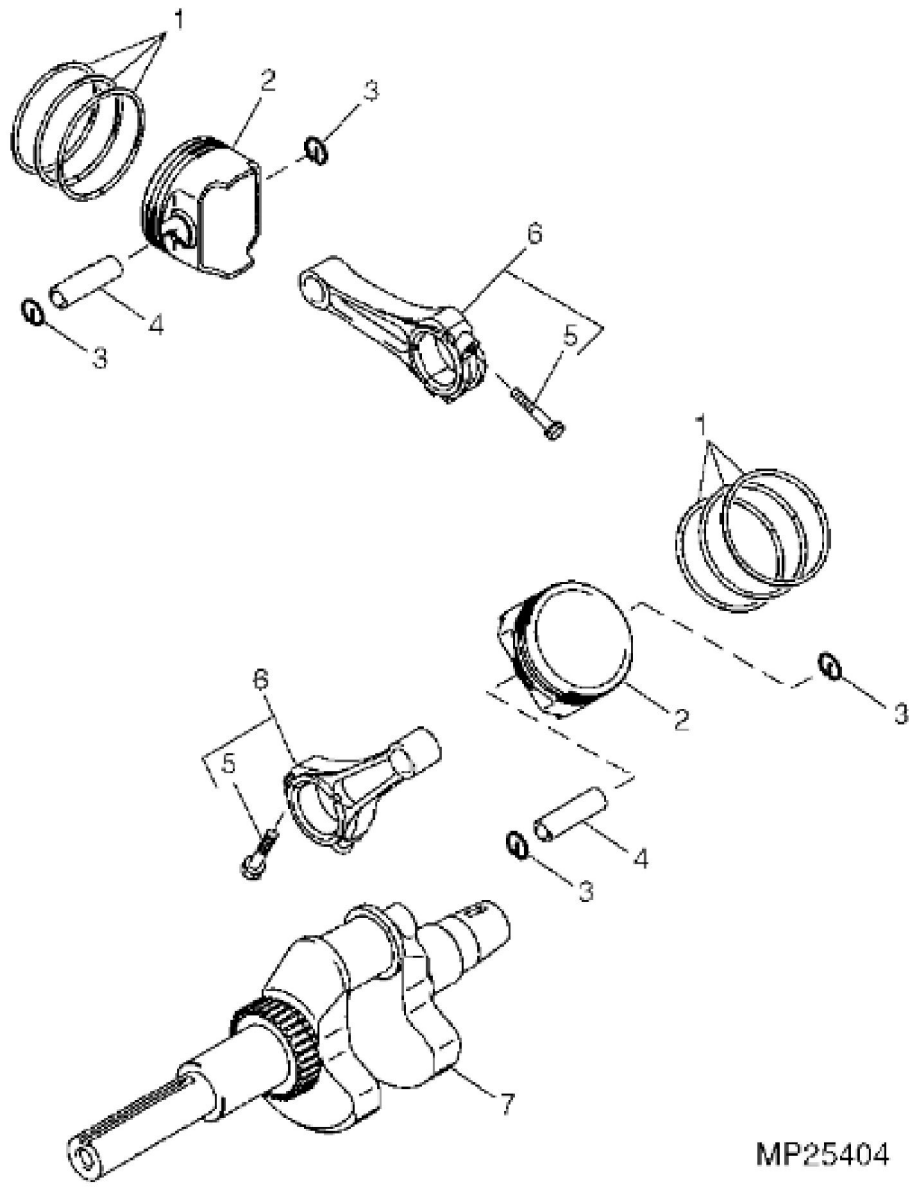
Thank you very much for reading.

Enter the link into your browser.

The full manual is available for immediate download.

**<https://www.ebooklibonline.com>**

KEY	PART NO.	PART NAME	QTY	Serial No.	REMARKS
24	MIU10794	GASKET	1		CRANKCASE (SUB FOR M146868)
25	MIA11447	COVER	1		CRANKCASE (SUB FOR M146873 OR M150450 OR M153200 OR M153043)
25	MIU10933	BUSHING	1		
26	M140231	SNAP RING	1		
27	MIU11104	SEAL	1		OIL (SUB FOR M146874)
28	M138392	SEAL	1		NLA; ORDER M151774; Oil
28	M151774	SEAL	1		
29	MIA10402	CYLINDER HEAD	1		(NO.1) (SUB FOR AM128731 OR AM132473)
30	19M8318	SCREW	4		M8 X 45
31	14M7396	LOCK NUT	4		M8
32	TCA17360	DRAIN VALVE	1		(SUB FOR TCA12370 OR TCA16240)
33	M88478	O-RING	2		USE WITH M138425
33	M88478	O-RING	3		USE WITH M138425 AND TCA17360
34	M138425	PLUG	2		
..	AM130914	GASOLINE ENGINE	1	____-015300	NLA; (KAWASAKI FH680D-B504) (ORDER MIA12134)
..	AM134526	GASOLINE ENGINE	1	015301-____	NLA; (KAWASAKI FH680D-CS04) (ORDER MIA12134)
..	MIA10510	GASOLINE ENGINE	1		NLA; ORDER MIA11007; KAWASAKI FH680D-DS04
..	MIA11007	GASOLINE ENGINE	1	060736-____	54", NLA; ORDER MIA11439
..	MIA11007	GASOLINE ENGINE	1	060363-____	60", NLA; ORDER MIA11439
..	MIA11182	SHORT BLOCK ASSEMBLY	1		NLA; ORDER MIA11007; KAWASAKI FH680D-S04
..	MIA11439	GASOLINE ENGINE	1		NLA; ORDER MIA12134; KAWASAKI FH680D-04
..	MIA12134	GASOLINE ENGINE	1		KAWASAKI FH680D-GS04-S



MP25404



**Suggest:**

**For more complete manuals. Please go to the home page.**

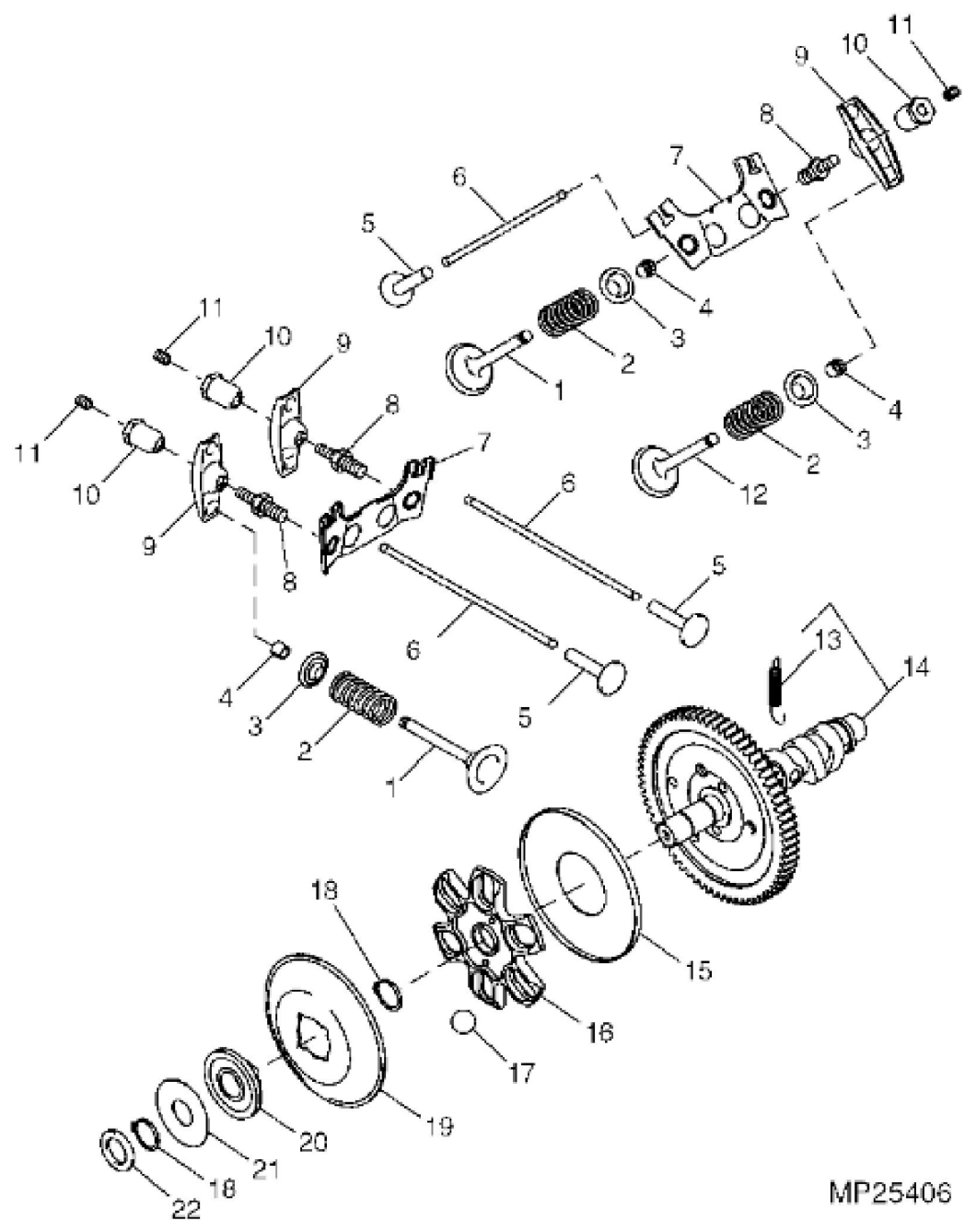
**<https://www.ebooklibonline.com>**

**If the above button click is invalid. Please download this document first, and then click the above link to download the complete manual.**

**Thank you so much for reading**

John Deere > Turf And Utility >TRACTOR, LAWN AND GARDEN >737 - TRACTOR, LAWN AND GARDEN >737 Mid-Mount ZTrak (Worldwide Edition) >20 ENGINE TCM11302 >ST581422 - PISTON AND CRANKSHAFT

KEY	PART NO.	PART NAME	QTY	REMARKS
1	AM128738	PISTON RING KIT	2	STANDARD
1	AM132069	PISTON RING KIT	AR	FOR .5MM OVERSIZE BORE
2	M143319	PISTON	2	STANDARD
2	M146875	PISTON	AR	FOR .5MM OVERSIZE BORE
3	M138398	SNAP RING	4	(SUB FOR M140233)
4	M138397	PISTON PIN	2	
5	M146763	BOLT	2	
6	AM132025	CONNECTING ROD	2	(ENGINE MARKED FH680D-BS04, FH680D-CS04)
6	MIA10804	CONNECTING ROD	2	(ENGINE MARKED FH680D-DS04, FH680D-ES04)
7	AM132070	CRANKSHAFT	1	(SUB MIA11106 AND MIA11108)
7	MIA11108	CRANKSHAFT	1	NLA; ORDER MIA12714
7	MIA12714	CRANKSHAFT	1	



MP25406

**<https://www.ebooklibonline.com>**

Hello dear friend!

Thank you very much for reading.

Enter the link into your browser.

The full manual is available for immediate download.

**<https://www.ebooklibonline.com>**