

MP4526

KEY	PART NO.	PART NAME	QTY	Engine Serial No.	REMARKS
1	M87810	FLANGE	1		
2	19M7774	SCREW	2		M6 X 12
3	CH10568	PACKING	2		
4	30M7023	PLUG	2		(SUB FOR CH10642)
5	M806843	PLUG	1		STEEL (SUB FOR CH10640)
6	CH17101	PLUG	4		
7	M800013	BUSHING	1		CAMSHAFT
8	M800006	DOWEL PIN	2		
9	M800002	PLUG	2		
10	M89140	SHAFT	1		IDLE GEAR
11	19M7774	SCREW	3		M6 X 12
12	M89139	PLATE	1		IDLE GEAR SHAFT
13	40M7080	SNAP RING	1		(SUB FOR CH16769)
14	AM875059	BEARING KIT	4		STD
14	AM875026	BEARING KIT	4		.25MM (.01") US
15	M800012	BOLT	8		
16	M89143	GUIDE	1		DIPSTICK
17	CH10571	PACKING	1		
18	AM875060	BEARING KIT	2		
19	CH15478	PLUG	1		
20	CH10314	PLUG	2		
21	AM100800	DRAIN VALVE	1		
22	M802254	PIN	1		(SUB FOR M87808)
23	M802255	PIN	1		(SUB FOR CH10534)
24	M809526	SWITCH	1		OIL PRESSURE (SUB FOR CH15500)
25	AM875018	CYLINDER BLOCK	1		KIT (OIL PRESSURE SWITCH NO LONGER INCLUDED)
26	M800420	DIPSTICK	1		
27	M800045	GUIDE	1		
28	19M7300	CAP SCREW	1		M6 X 10
..	AM101973	DIESEL ENGINE	1	007123-_____	(INCLUDES AM101977 MUFFLER) (SUB FOR AM103255) (SUB AM875017)
..	AM875017	SHORT BLOCK ASSEMBLY	1		

<https://www.ebooklibonline.com>

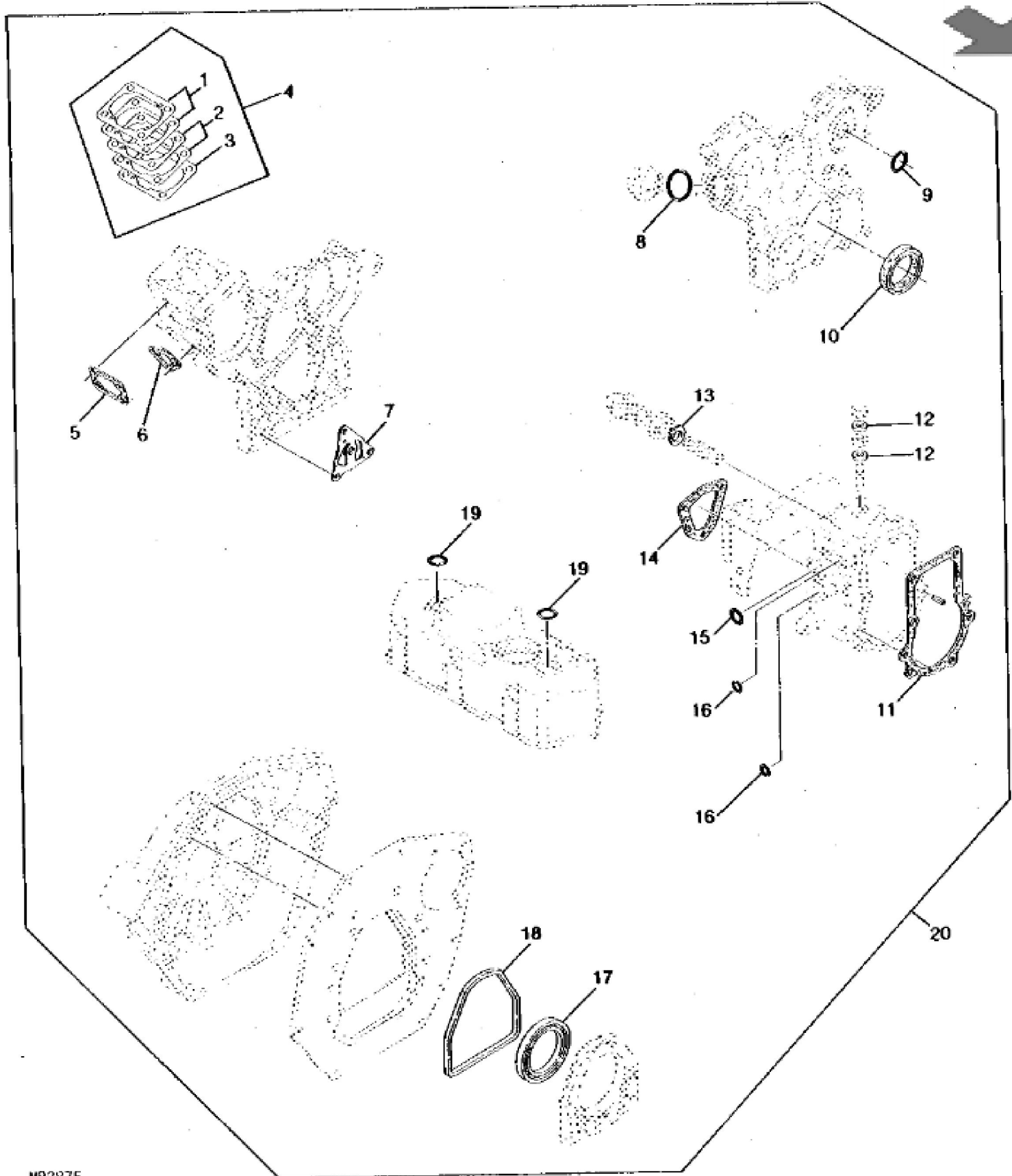
Hello dear friend!

Thank you very much for reading.

Enter the link into your browser.

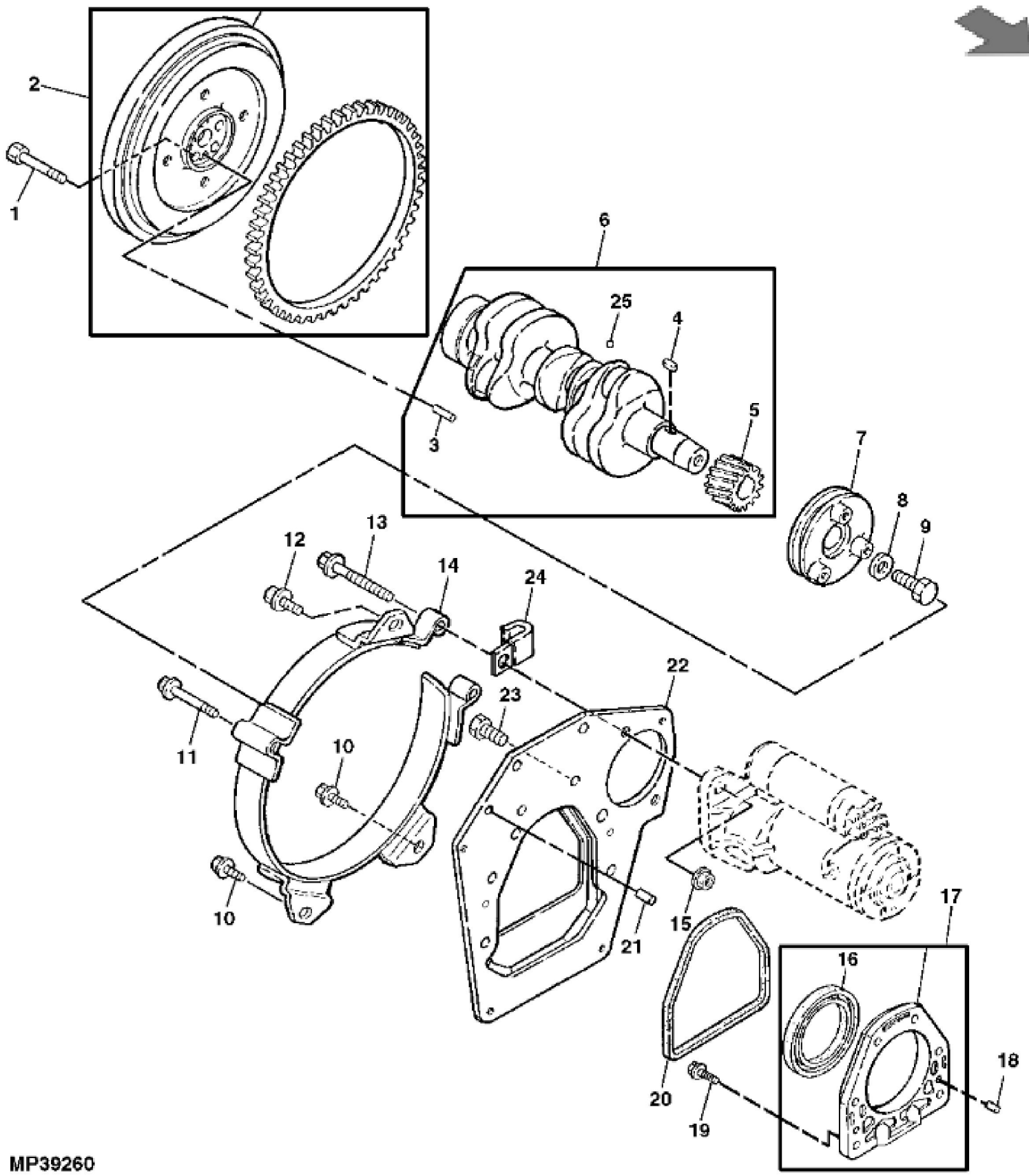
The full manual is available for immediate download.

<https://www.ebooklibonline.com>



John Deere > Turf And Utility >TRACTOR, COMPACT UTILITY >856 - TRACTOR, COMPACT UTILITY >655, 755, 756, 855 and 856 Compact Utility Tractors >20 ENGINE >ST716826 - CYLINDER BLOCK GASKET KIT (655)

KEY	PART NO.	PART NAME	QTY	REMARKS
1	SHIM	2	.2MM, (SUB AM100747)
2	SHIM	2	.3MM, (SUB AM100747)
3	SHIM	1	.5MM, (SUB AM100747)
4	AM100747	SHIM	1	KIT (INCLUDES (2) .2 MM (.008) (2) .3 MM (.012) AND (1) .5 MM (.020) SHIMS)
5	M805695	GASKET	1	(SUB FOR M89123)
6	M805703	GASKET	1	(SUB FOR CH15378) TRANSFER PUMP OPENING
7	M89142	GASKET	1	OIL PUMP
8	CH15414	PACKING	1	
9	CH15595	O-RING	1	
10	M811563	SEAL	1	(SUB FOR M87821)
11	M805704	GASKET	1	(SUB FOR M89153)
12	M87851	WASHER	2	(SUB FOR CH10644)
13	M806438	WASHER	1	(SUB FOR CH15385)
14	M805705	GASKET	1	(SUB FOR M89155)
15	CH10571	PACKING	2	
16	M89151	O-RING	2	
17	M801941	SEAL	1	(SUB FOR M87809)
18	M87849	SEAL	1	
19	CH10568	PACKING	2	
20	AM876063	GASKET KIT	1	BLOCK (SUB FOR AM875036)



MP39260



Suggest:

For more complete manuals. Please go to the home page.

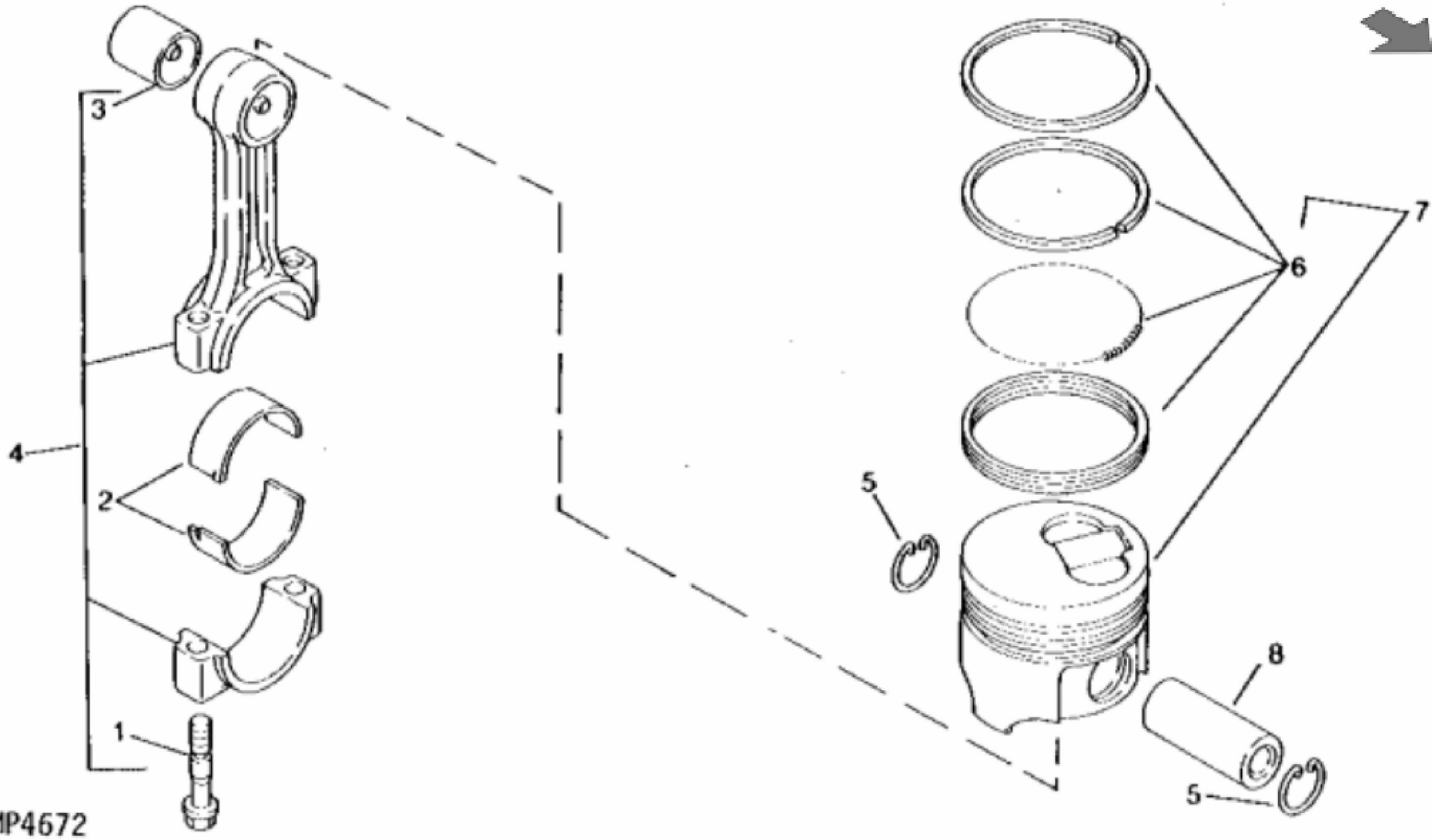
<https://www.ebooklibonline.com>

If the above button click is invalid. Please download this document first, and then click the above link to download the complete manual.

Thank you so much for reading

John Deere > Turf And Utility >TRACTOR, COMPACT UTILITY >856 - TRACTOR, COMPACT UTILITY >655, 755, 756, 855 and 856 Compact Utility Tractors >20 ENGINE >ST716827 - CRANKSHAFT, FLYWHEEL AND MOUNTING FLANGE (655)

KEY	PART NO.	PART NAME	QTY	Engine Serial No.	REMARKS
1	M87887	BOLT	5		
2	AM875297	FLYWHEEL	1		NLA
3	M802255	PIN	1		(SUB FOR CH10534)
4	M87812	SHAFT KEY	1		
5	M800039	GEAR	1		
6	AM875020	CRANKSHAFT	1		
7	M800040	PULLEY	1		
8	M800308	WASHER	1		
9	M800075	BOLT	1		
10	M801820	BOLT	2		(SUB 19M7964, 12M7065 AND 24M7055)
11	19M7979	SCREW	1		M8 X 55, (SUB FOR CH19090)
12	M800011	BOLT	1		
13	M801809	BOLT	2		
14	M801819	COVER	1		
15	M88031	NUT	2		
16	M801941	SEAL	1		(SUB FOR M87809)
17	AM100720	CASE	1		CRANKSHAFT OIL SEAL
18	M802254	PIN	2		(SUB FOR M87808)
19	M87826	BOLT	6		
20	M87849	SEAL	1	____-021384	
21	M802255	PIN	2		(SUB FOR CH10534, THIS APPLICATION)
22	M802563	PLATE	1		(SUB FOR M800959)
23	M800011	BOLT	7		
24	R72853	CLAMP	1		
25	400R	BALL	3		



MP4672

<https://www.ebooklibonline.com>

Hello dear friend!

Thank you very much for reading.

Enter the link into your browser.

The full manual is available for immediate download.

<https://www.ebooklibonline.com>