

RP2031

| KEY | PART NO. | PART NAME   | QTY | REMARKS                                  |
|-----|----------|-------------|-----|--|
| 1   | CH15494  | DIPSTICK    | 1   |  |
| 2   | CH15495  | GUIDE       | 1   |  |
| 3   | 15H562   | PIPE PLUG   | 2   | 1", (SUB FOR CH12097)                    |
| 4   | CH15384  | STUD        | 4   | M8 X 30                                  |
| 5   | 24M7055  | WASHER      | 4   | 8.400 X 16 X 1.600 mm                    |
| 6   | 12M7065  | LOCK WASHER | 4   | 8 mm                                     |
| 7   | 14M7273  | NUT         | 4   | M8                                       |
| 8   | CH15370  | NUT         | 2   |  |
| 9   | CH15368  | STUD        | 2   |  |
| 10  | CH15381  | PLUG        | 1   |  |
| 11  | CH15373  | FLANGE      | 1   |  |
| 12  | M802255  | PIN         | 2   | M8 X 16, (SUB FOR CH10534)               |
| 13  | 19M7380  | CAP SCREW   | 10  | M10 X 22, (SUB FOR CH12027) (NLA)        |
| 14  | CH10389  | STUD        | 2   |  |
| 15  | 14M7275  | NUT         | 2   | M12                                      |
| 16  | 30M7023  | PLUG        | 4   |  |
| 17  | CH15531  | FITTING     | 1   |  |
| 18  | CH10314  | PLUG        | 7   |  |
| 19  | CH17953  | WASHER      | 2   | NLA; SUB FOR CH15383                     |
| 20  | CH15146  | PACKING     | 2   |  |
| 21  | CH10335  | PLUG        | 1   |  |
| 22  | CH15398  | BUSHING     | 1   |  |
| 22  | CH17660  | BUSHING     | 1   | 0.25MM (.0098"), UNDERSIZE               |
| 23  | M805703  | GASKET      | 1   | (SUB FOR CH15378)                        |
| 24  | CH15377  | COVER       | 1   |  |
| 25  | 24M7088  | WASHER      | 2   | 6.600 X 12 X 1.600 mm, (SUB FOR CH10522) |
| 26  | 12M7006  | LOCK WASHER | 2   | 6 mm                                     |
| 27  | 19M7375  | CAP SCREW   | 2   | M6 X 18                                  |

**<https://www.ebooklibonline.com>**

Hello dear friend!

Thank you very much for reading.

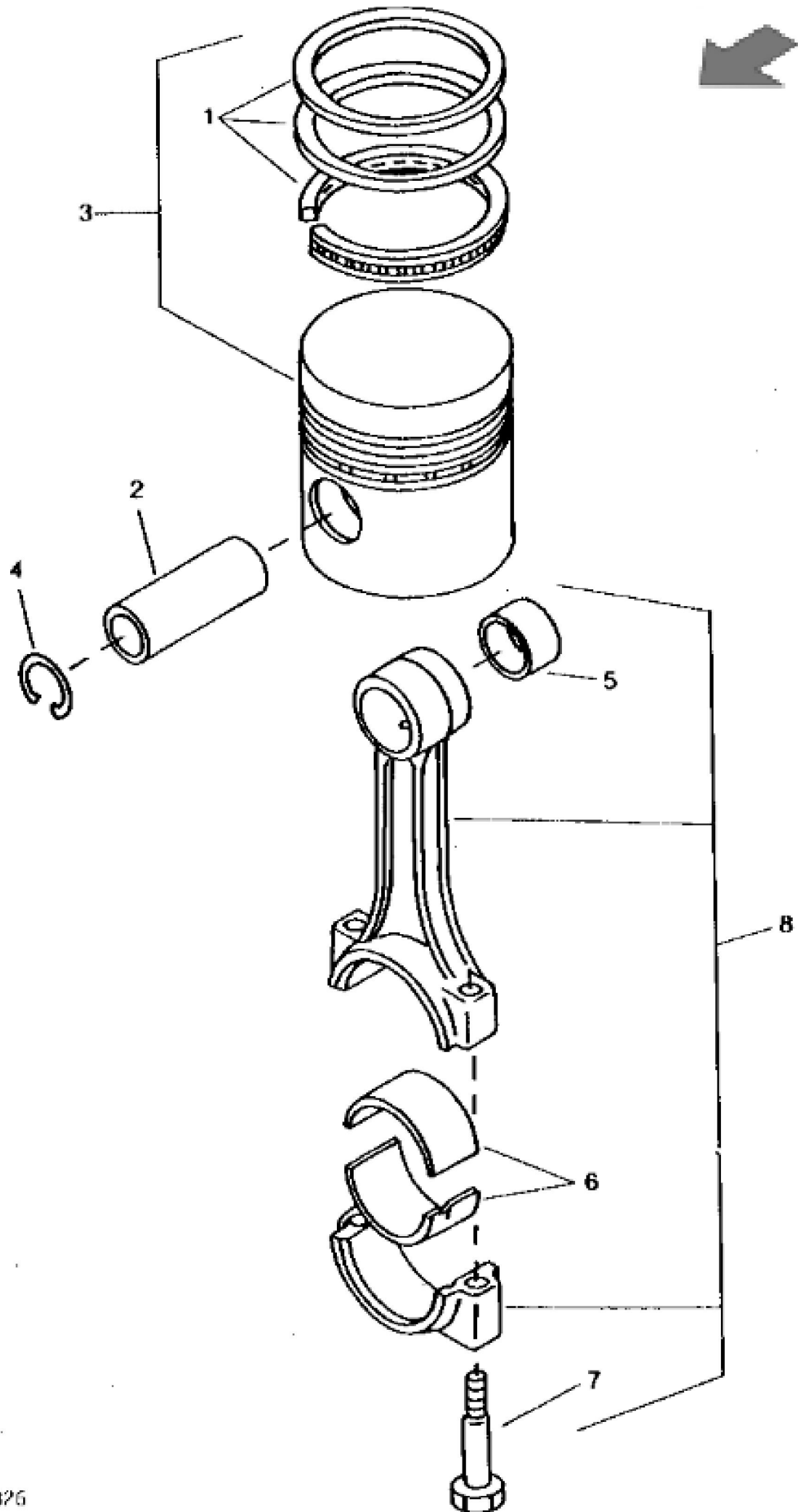
Enter the link into your browser.

The full manual is available for immediate download.

**<https://www.ebooklibonline.com>**



| KEY | PART NO. | PART NAME      | QTY | Engine Serial No. | REMARKS   |  |
|-----|----------|----------------|-----|-------------------|---|--|
| 1   | CH16656  | CYLINDER BLOCK | 1   | ____-004898       | (ALSO ORDER (2) CH16660 ) (SUB FOR CH15596) (SUB CH17281) |  |
| 1   | CH17281  | CYLINDER BLOCK | 1   | 004899-____       |   |  |





**Suggest:**

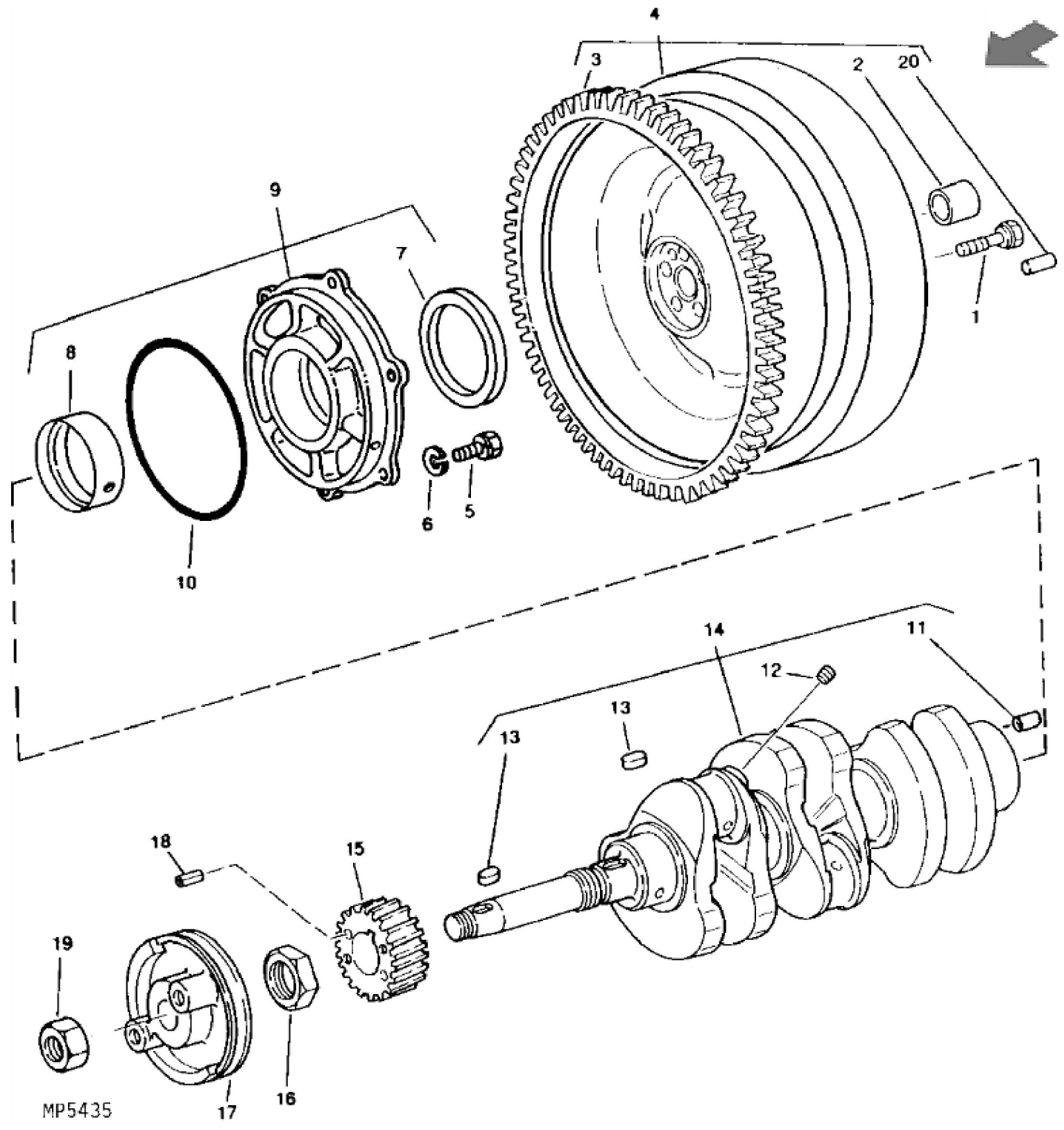
**For more complete manuals. Please go to the home page.**

**<https://www.ebooklibonline.com>**

**If the above button click is invalid. Please download this document first, and then click the above link to download the complete manual.**

**Thank you so much for reading**

| KEY | PART NO. | PART NAME      | QTY | REMARKS  |
|-----|----------|----------------|-----|--|
| 1   | CH15608  | PISTON RING    | 2   |  |
| 1   | CH15621  | PISTON RING    | 2   | NLA; OVERSIZED                                   |
| 2   | CH15480  | PISTON PIN     | 2   |  |
| 3   | CH15479  | PISTON         | 2   | WITH RINGS                                       |
| 3   | CH15622  | PISTON         | 2   | 0.25MM (.0098"), NLA; OVERSIZED, WITH RINGS      |
| 4   | CH15481  | SNAP RING      | 4   |  |
| 5   | M808605  | BUSHING        | 2   | (SUB FOR CH15482)                                |
| 6   | AM876252 | BEARING        | 2   | (SUB FOR (2) CH15484)                            |
| 6   | AM876250 | BEARING        | 2   | 0.25MM (.0098"), (SUB FOR (2) CH17664) UNDERSIZE |
| 7   | CH15483  | BOLT           | 4   |  |
| 8   | CH15609  | CONNECTING ROD | 2   |  |



**<https://www.ebooklibonline.com>**

Hello dear friend!

Thank you very much for reading.

Enter the link into your browser.

The full manual is available for immediate download.

**<https://www.ebooklibonline.com>**