

PUC01838A

KEY	PART NO.	PART NAME	QTY	REMARKS	
1	SU328170	BOLT	10		
2	SU318981	LOCK WASHER	10		
3	SJ314392	PIN	1		
4	SU328190	STUD	2		
5	SU328168	BOLT	4		
6	SU318982	LOCK WASHER	14		
7	14M7037	NUT	2	M16	
8	SU326641	MAT	1		
9	SU317834	O-RING	2		
10	SU328937	FRONT AXLE SUPPORT	2		
11	SJ326634	AXLE	1		
12	SU318562	FITTING	1		
13	14M7131	NUT	8	M16	
14	SU314467	SPACER	8		
15	SU323135	BOLT	8		

**<https://www.ebooklibonline.com>**

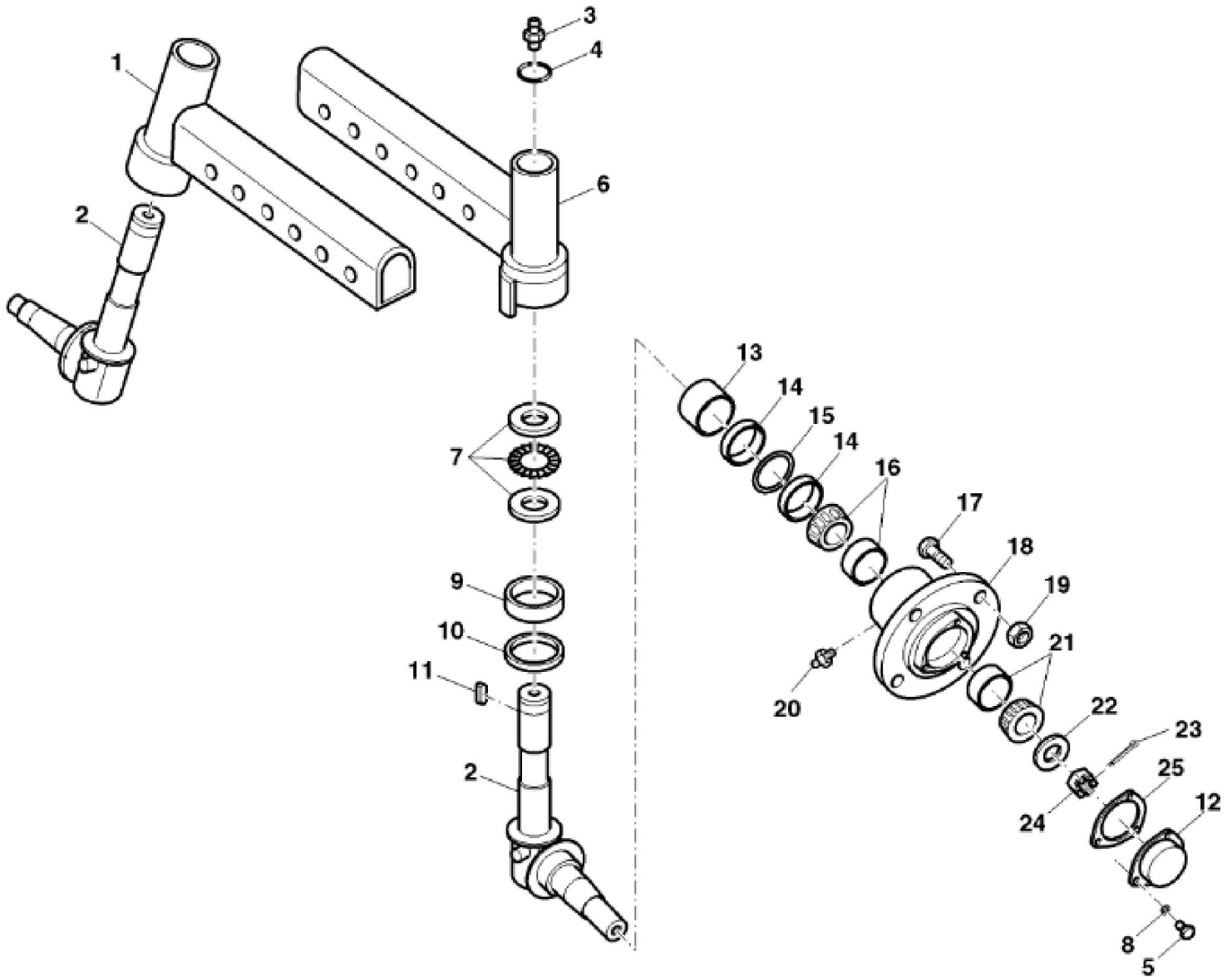
Hello dear friend!

Thank you very much for reading.

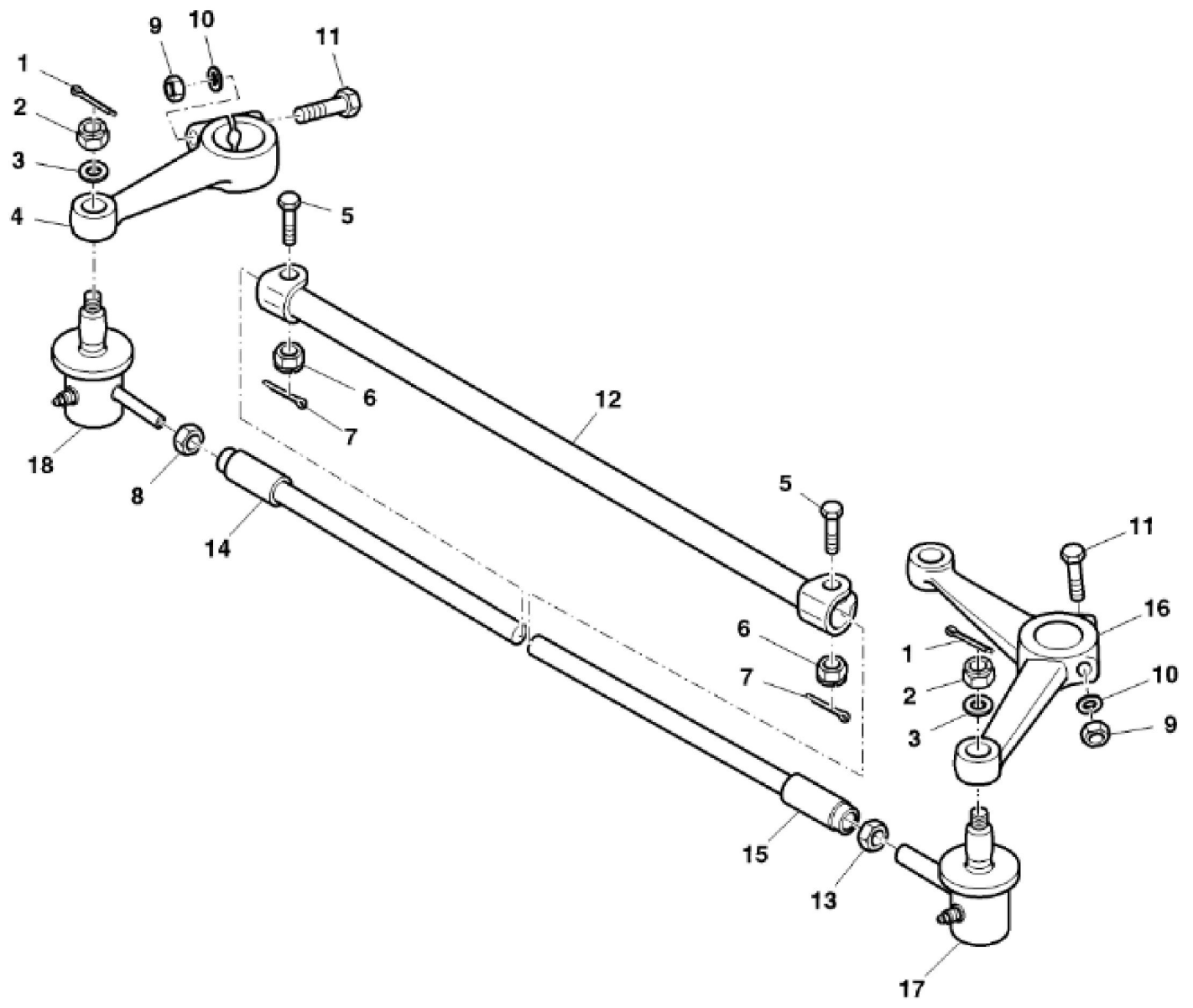
Enter the link into your browser.

The full manual is available for immediate download.

**<https://www.ebooklibonline.com>**



KEY	PART NO.	PART NAME	QTY	REMARKS
1	SJ326636	SLEEVE FITTING	1	
2	SJ314393	AXLE KNEE	2	
3	SU318562	FITTING	2	
4	SU317872	O-RING	2	
5	19M10105	SCREW	6	M6 X 12
6	SJ326635	SLEEVE FITTING	1	
7	SU318506	BEARING	2	
8	SU318989	LOCK WASHER	6	
9	SU317846	SEAL	2	
10	SU314462	SEAL	2	
11	SU321976	KEY	2	
12	SU321491	COVER	2	
13	SU314475	HOLDER	2	
14	SU318558	SEAL	4	
15	SU314473	WASHER	2	
16	SU318502	BEARING	2	
17	SU314472	BOLT	10	
18	SU314464	HUB	2	
19	SU314791	LOCK NUT	10	
20	SU318563	FITTING	2	
21	SU318501	BEARING	2	
22	SU314746	WASHER	2	
23	11M7029	COTTER PIN	2	5 X 36 mm
24	SU318959	NUT	2	
25	SU321492	GASKET	2	





**Suggest:**

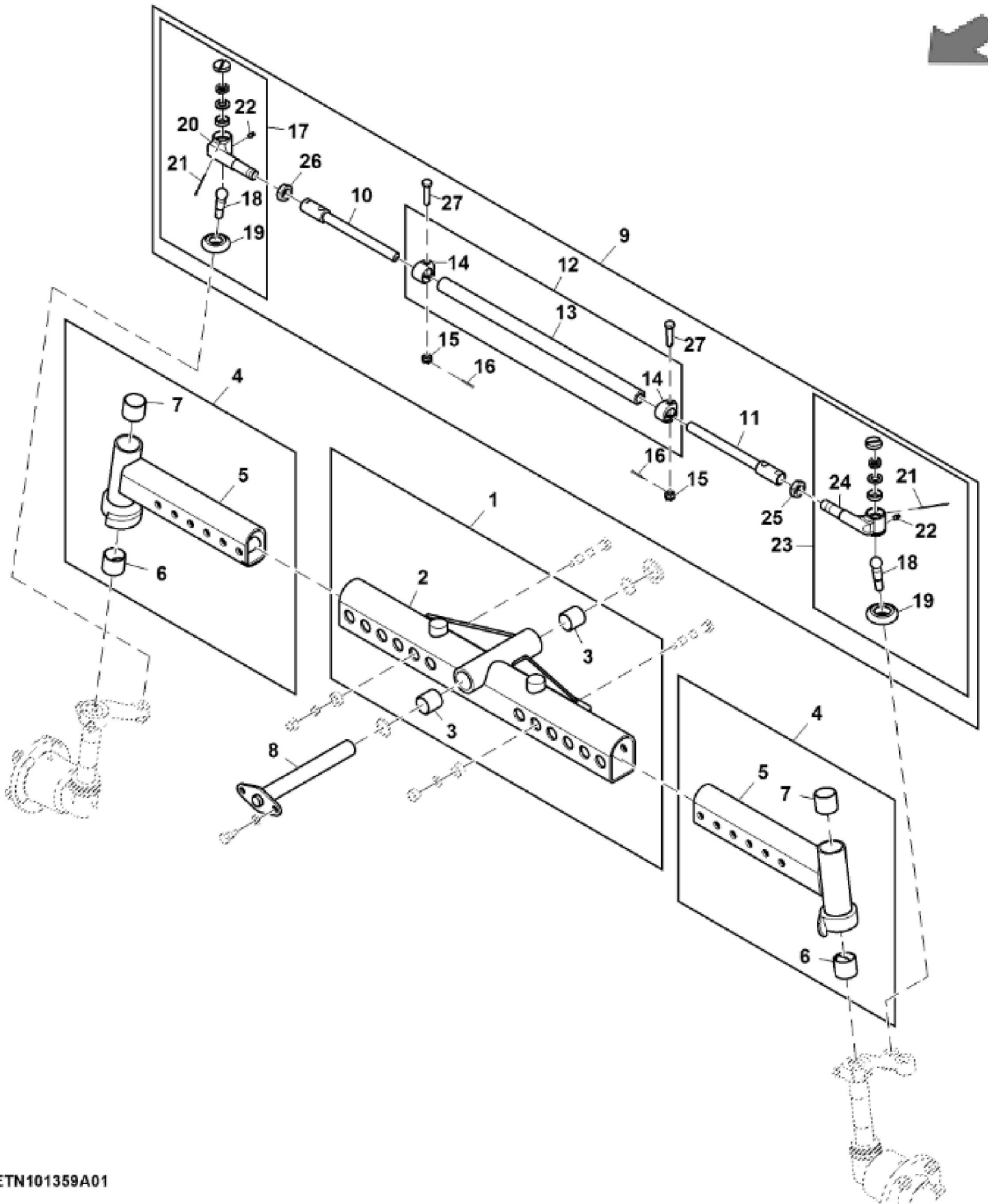
**For more complete manuals. Please go to the home page.**

**<https://www.ebooklibonline.com>**

**If the above button click is invalid. Please download this document first, and then click the above link to download the complete manual.**

**Thank you so much for reading**

KEY	PART NO.	PART NAME	QTY	REMARKS	
1	11M7022	COTTER PIN	2	4 X 28 mm	
2	SU318955	NUT	2		
3	24M7053	WASHER	2	17 X 30 X 3 mm	
4	SU314466	ARM	1		
5	SU317919	BOLT	2		
6	SU321978	NUT	2		
7	SU328167	PIN	2		
8	14M7131	NUT	1	M16	
9	14M7512	NUT	2	M12	
10	SU318980	LOCK WASHER	2		
11	19M8767	SCREW	2	M12 X 75	
12	SJ323122	ROD	1		
13	SU318741	NUT	1		
14	SJ319524	LINK	1		
15	SJ315082	LINK	1		
16	SU327133	ARM	1		
17	SJ315083	BALL JOINT	1		
18	SJ314623	BALL JOINT	1		



ETN101359A01

**<https://www.ebooklibonline.com>**

Hello dear friend!

Thank you very much for reading.

Enter the link into your browser.

The full manual is available for immediate download.

**<https://www.ebooklibonline.com>**