

MP2446

John Deere > Turf And Utility >TRACTOR, LAWN AND GARDEN >430 - TRACTOR, LAWN AND GARDEN >430 Lawn and Garden Tractor >20 ENGINE AM101345 >ST554495 - CYLINDER HEAD COVER AND GASKETS

| KEY | PART NO. | PART NAME | QTY | REMARKS |
|-----|----------|-----------------------------|-----|------------------------------------|
| 1 | CH10061 | RIVET | 4 | (A) |
| 2 | | GASKET | 1 | (A) |
| 3 | M805710 | CAP | 1 | (A), (SUB FOR CH10332) |
| 4 | M805711 | PACKING | 1 | (A) |
| 5 | CH10348 | NUT | 2 | (SUB FOR M87882, THIS APPLICATION) |
| 6 | CH10568 | PACKING | 2 | |
| 7 | AM100734 | VALVE COVER | 1 | (INCLUDES PARTS MARKED (A)) |
| 8 | M87854 | ENGINE CYLINDER HEAD GASKET | 1 | CYLINDER HEAD COVER |
| 9 | M805697 | GASKET | 1 | (A), (SUB FOR M87838) BAFFLE |
| 10 | M87837 | DEFLECTOR | 1 | (A) |
| 11 | M807374 | SCREW | 4 | (A) |
| 12 | 12M7064 | LOCK WASHER | 4 | 5 mm, (A) |
| 13 | CH15409 | PIPE | 1 | (A) |
| 14 | M807038 | ELECTRONIC TERMINATOR | 1 | (A) |

<https://www.ebooklibonline.com>

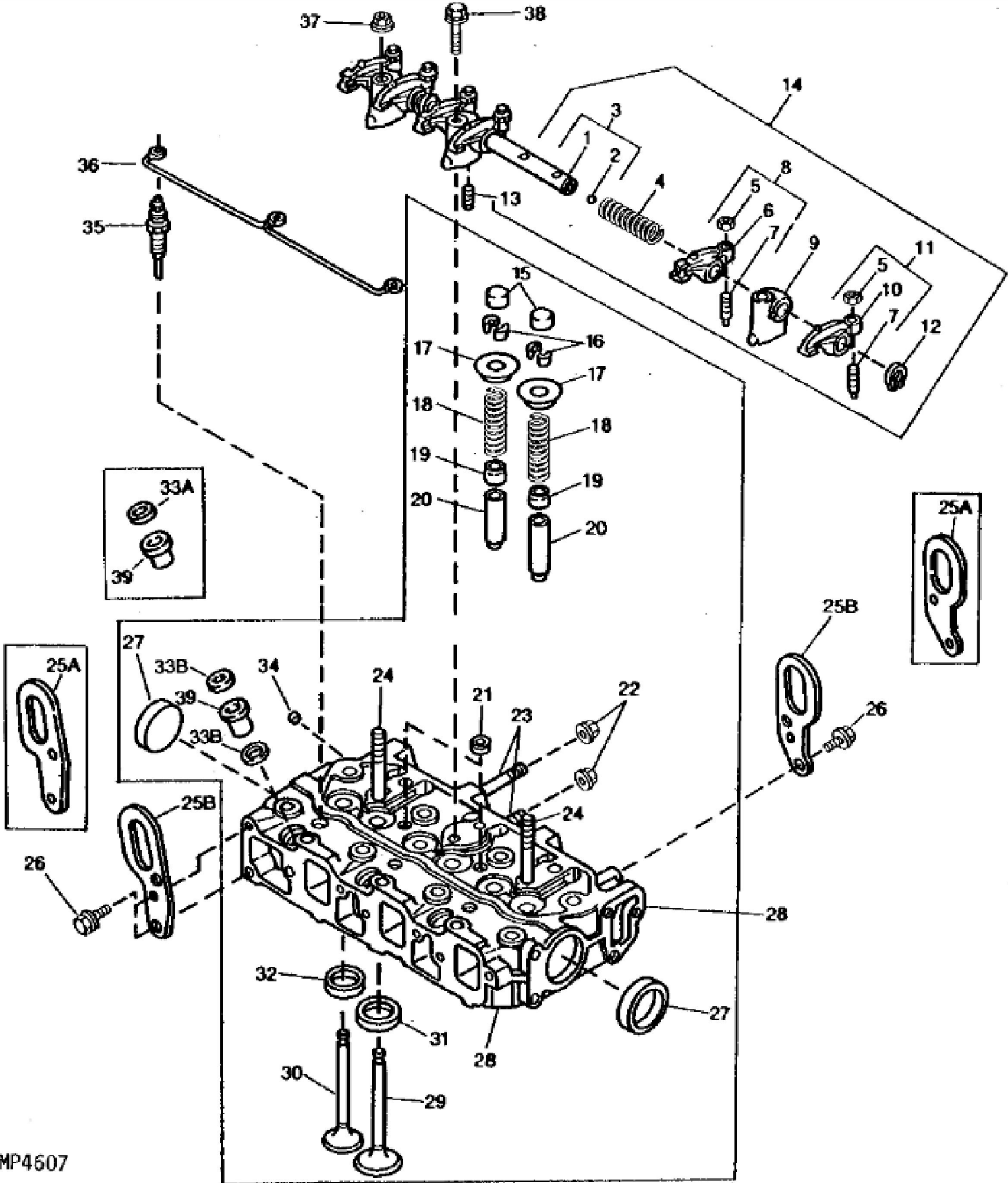
Hello dear friend!

Thank you very much for reading.

Enter the link into your browser.

The full manual is available for immediate download.

<https://www.ebooklibonline.com>



MP4607

| KEY | PART NO. | PART NAME | QTY | Serial No. | REMARKS |
|-----|-----------|-------------------|-----|-------------|--|
| 1 | | SHAFT | 1 | | |
| 2 | 400R | BALL | 2 | | |
| 3 | AM100749 | ROCKER ARM SHAFT | 1 | | |
| 4 | M87892 | SPRING | 2 | | |
| 5 | 14M7194 | NUT | 6 | | M6 |
| 6 | | ARM | 3 | | |
| 7 | M87841 | SCREW | 6 | | |
| 8 | AM100736 | ARM | 3 | | EXHAUST ASSY |
| 9 | M87891 | SUPPORT | 3 | | ROCKER ARM |
| 10 | | ARM | 3 | | |
| 11 | AM100735 | ARM | 3 | | INTAKE ASSY |
| 12 | M87818 | SNAP RING | 2 | | |
| 13 | M87893 | SCREW | 1 | | |
| 14 | AM100748 | SUPPORT | 1 | | ROCKER ARM ASSY (NLA) (SUB COMPONENTS) |
| 15 | CH12585 | CAP | 6 | | VALVE HEAD |
| 16 | CH10054 | RETAINER | 6 | | NLA; ORDER AM100828; ONE SET |
| 16 | AM100828 | RETAINER KIT | 6 | | |
| 17 | M87835 | HOLDER | 6 | | |
| 18 | M87834 | SPRING | 6 | | VALVE |
| 19 | CH10346 | SEAL | 3 | | VALVE |
| 20 | M87863 | GUIDE | 6 | | VALVE |
| 21 | CH16747 | PLUG | 2 | | PT 1/4 |
| 22 | 14M7273 | NUT | 2 | 008296-____ | M8 |
| 22 | 12M7065 | LOCK WASHER | 2 | 008296-____ | 8 mm |
| 23 | M89136 | STUD | 2 | | |
| 24 | M87836 | STUD | 2 | | |
| 25A | M87881 | BRACKET | 2 | | (SUB M800066) |
| 25B | MIU800461 | BRACKET | 2 | | (SUB FOR M800066) |
| 26 | CH19780 | BOLT | 3 | | (SUB FOR M88024) |
| 27 | CH16751 | PLUG | 2 | | |
| 28 | AM101398 | CYLINDER HEAD | 1 | | (ALSO INCLUDES (2) 4M7298 NUTS) (SUB FOR AM100733) |
| 29 | M87832 | INTAKE VALVE | 3 | | INTAKE |
| 30 | M87833 | VALVE | 3 | | EXHAUST |
| 31 | M87829 | VALVE SEAT INSERT | 3 | | INTAKE |



Suggest:

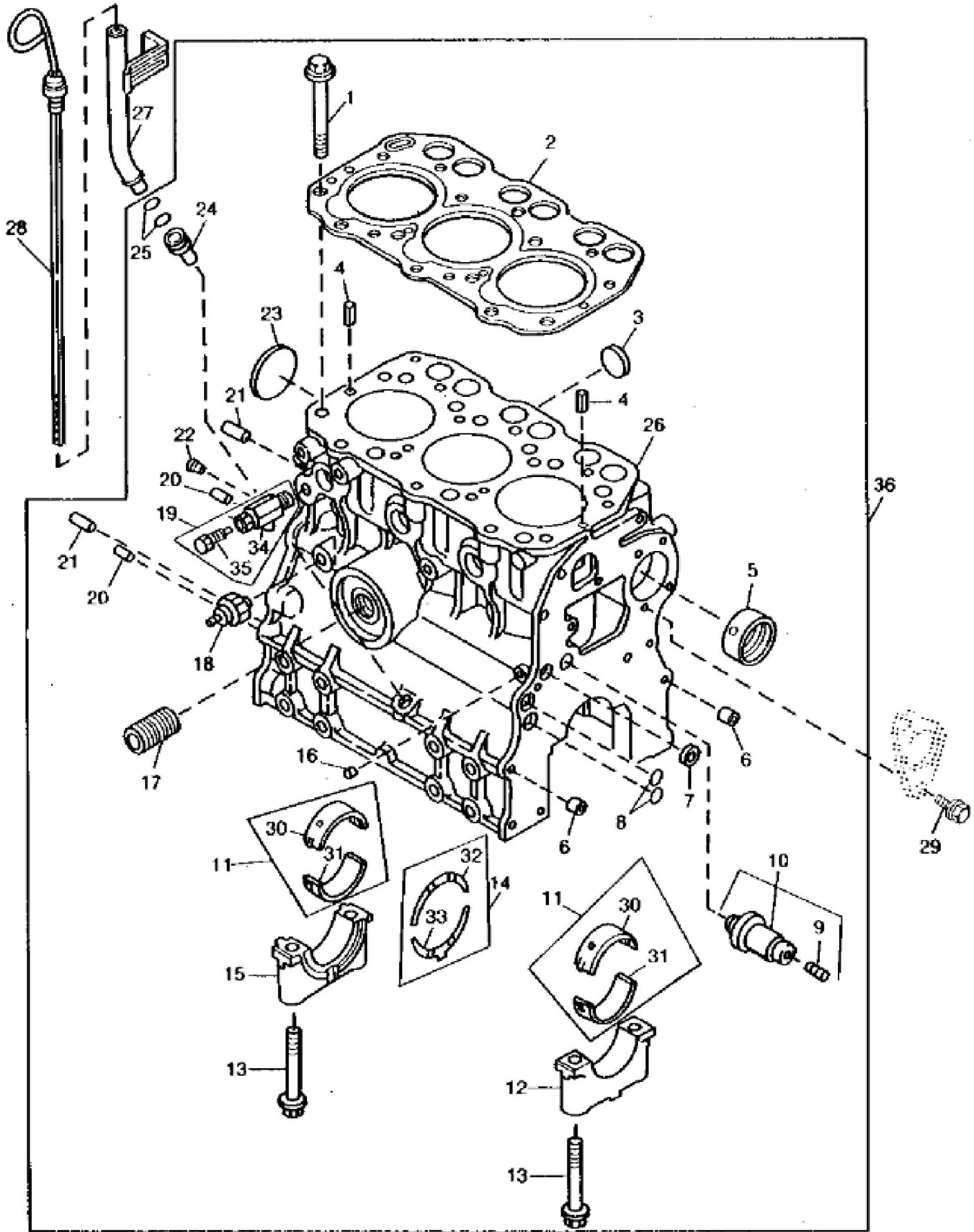
For more complete manuals. Please go to the home page.

<https://www.ebooklibonline.com>

If the above button click is invalid. Please download this document first, and then click the above link to download the complete manual.

Thank you so much for reading

| KEY | PART NO. | PART NAME | QTY | Serial No. | REMARKS |
|-----|----------|--------------------------|-----|-------------|------------------------------|
| 32 | M87830 | VALVE SEAT INSERT | 3 | | EXHAUST |
| 33A | M87855 | GASKET | 3 | ____-004060 | NLA; FI NOZZLE (BRONZE) |
| 33B | M89135 | GASKET | 6 | 005001-____ | FI NOZZLE (BRONZE) |
| 34 | M87831 | PLUG | 1 | | 5/8" |
| 35 | M87919 | GLOW PLUG | 3 | | |
| 36 | M87920 | ELEC. CONNECTOR TERMINAL | 1 | | |
| 37 | 14M7298 | FLANGE NUT | 2 | | M8 |
| 38 | CH19101 | BOLT | 1 | | |
| 39 | M89134 | PACKING | 3 | | FI NOZZLE PROTECTOR (TEFLON) |



<https://www.ebooklibonline.com>

Hello dear friend!

Thank you very much for reading.

Enter the link into your browser.

The full manual is available for immediate download.

<https://www.ebooklibonline.com>