

KEY	PART NO.	PART NAME	QTY	Serial No.	425	445	REMARKS
1	M118835	TUBE	1		X		
1	M118837	TUBE	1			X	
2	M77734	CLAMP	1				
3	M76125	VALVE	1				
4	M76124	PLATE	1				
5	M95848	SCREW	1				
6	M114464	GASKET	1				
7	M97314	COVER	1				
8	19M7865	SCREW	4				M8 X 16
9	MIU11358	GASKET	2				SUB FOR M76072
9	MIU11646	GASKET	1				USE WITH MIU11645
10	MIU11645	CASE	1				SUB FOR AM109415; Rocker
11	M76073	BUSHING	8				
12	19M7863	SCREW	8				M6 X 25
13	MIU11988	BOLT	10				SUB FOR M118772
14	M131853	BOLT	4				SUB FOR M123635
15	M97309	ENGINE CYLINDER HEAD GASKET	2				Head
16	M70227	PIN	6				(A)
17	M139489	CYLINDER HEAD	1	____-082370			MARKED ASO1, ASO2, BSO1, BSO2, CSO1, CSO2, DSO1, DSO2, ESO2 AND FSO2; SUB FOR M97311
17	M142271	CYLINDER HEAD	1	082371-____			MARKED ESO1, FS01 AND GSO2
18	MIU12135	BEARING	1				(A); SUB FOR M97316
19	MIA12865	CRANKCASE	1				INCLUDES PARTS MARKED (A); SUB FOR AM126299
19	AM129801	CRANKCASE	1				MARKED ESO1
20	M76154	SEAL	2				SUB FOR M76128
21	19M7864	SCREW	2				M8 X 12
22	MIU14495	GASKET	2				SUB FOR M76150
23	M139016	GASKET	1				SUB FOR M117934
24	MIU14322	COVER	1				SUB FOR M132671
25	19M8318	SCREW	6				M8 X 45
26	M139490	BOLT	2				SUB FOR M94242

**<https://www.ebooklibonline.com>**

Hello dear friend!

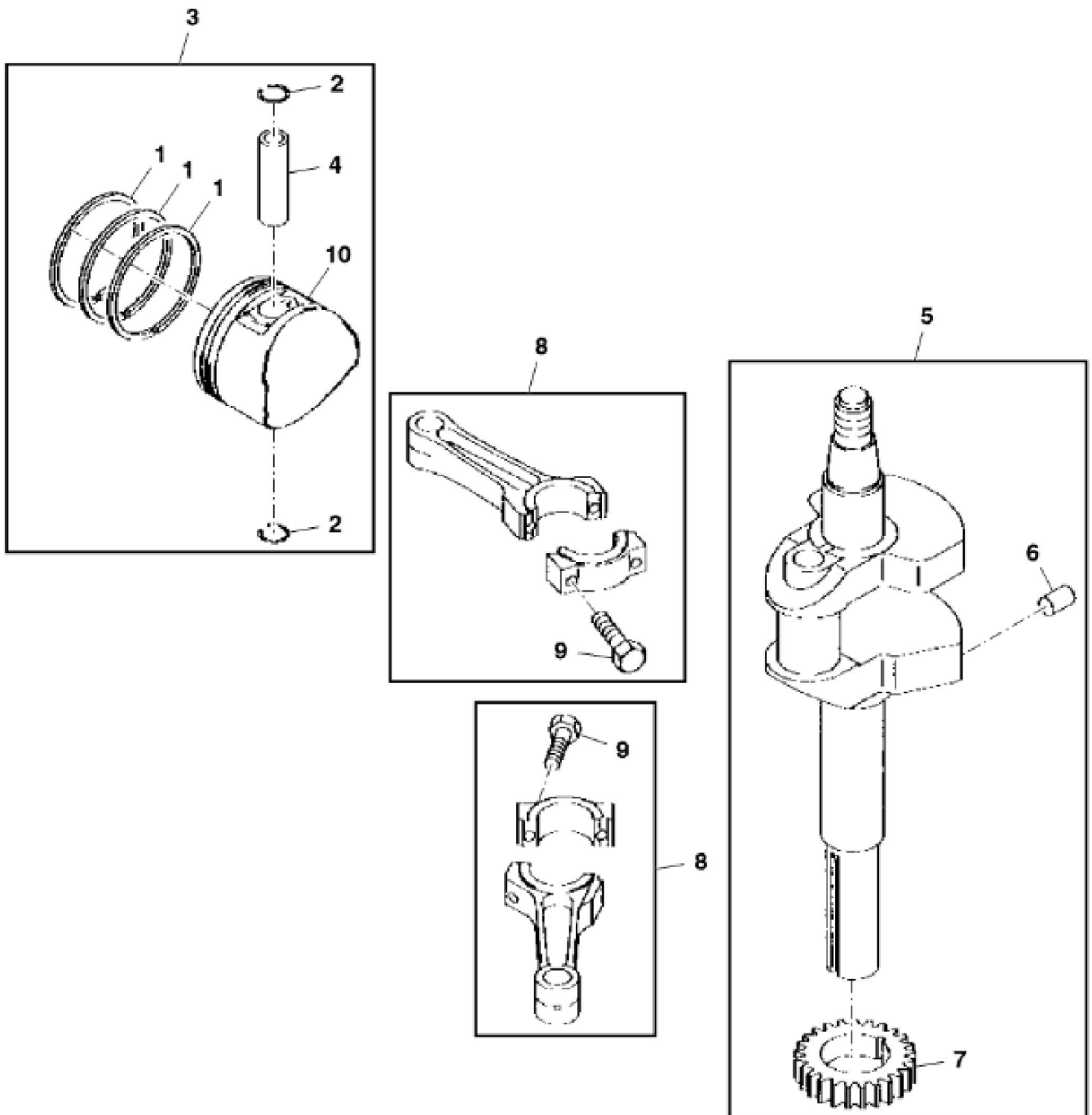
Thank you very much for reading.

Enter the link into your browser.

The full manual is available for immediate download.

**<https://www.ebooklibonline.com>**

KEY	PART NO.	PART NAME	QTY	Serial No.	425	445	REMARKS
27	M139488	CYLINDER HEAD	1				MARKED ASO1, ASO2, BSO1, BSO2, CSO1, CSO2, DSO1, DSO2, ESO2 AND FSO2; SUB FOR M97310
27	M142268	CYLINDER HEAD	1				MARKED ESO1, FS01 AND GSO2
28	MIU11644	CASE	1				SUB FOR M76071; Rocker
29	M88987	SEAL	1		X		Governor Shaft
29	MIU10833	SEAL	1			X	MARKED ESO1; SUB FOR M94387; Governor Shaft
30	M121998	DIPSTICK TUBE	1				SUB FOR M115402
31	M117034	O-RING	1				Dipstick Tube
32	.....	HOSE	1				CTL AR, MF TY22562; SUB FOR TY22327; Oil Drain
33	M93999	HOSE CLAMP	1				Oil Drain
34	AM115362	DRAIN VALVE	1				Oil Drain
35	51M7042	O-RING	1				13.300 X 2.200 mm
36	M76104	O-RING	1				
37	M76103	O-RING	1				
38	M127431	ADAPTER FITTING	1				(A)
39	M138625	PIN	1				(A)
40	M147324	FILLER CAP	1				USE WITH MIU11645





**Suggest:**

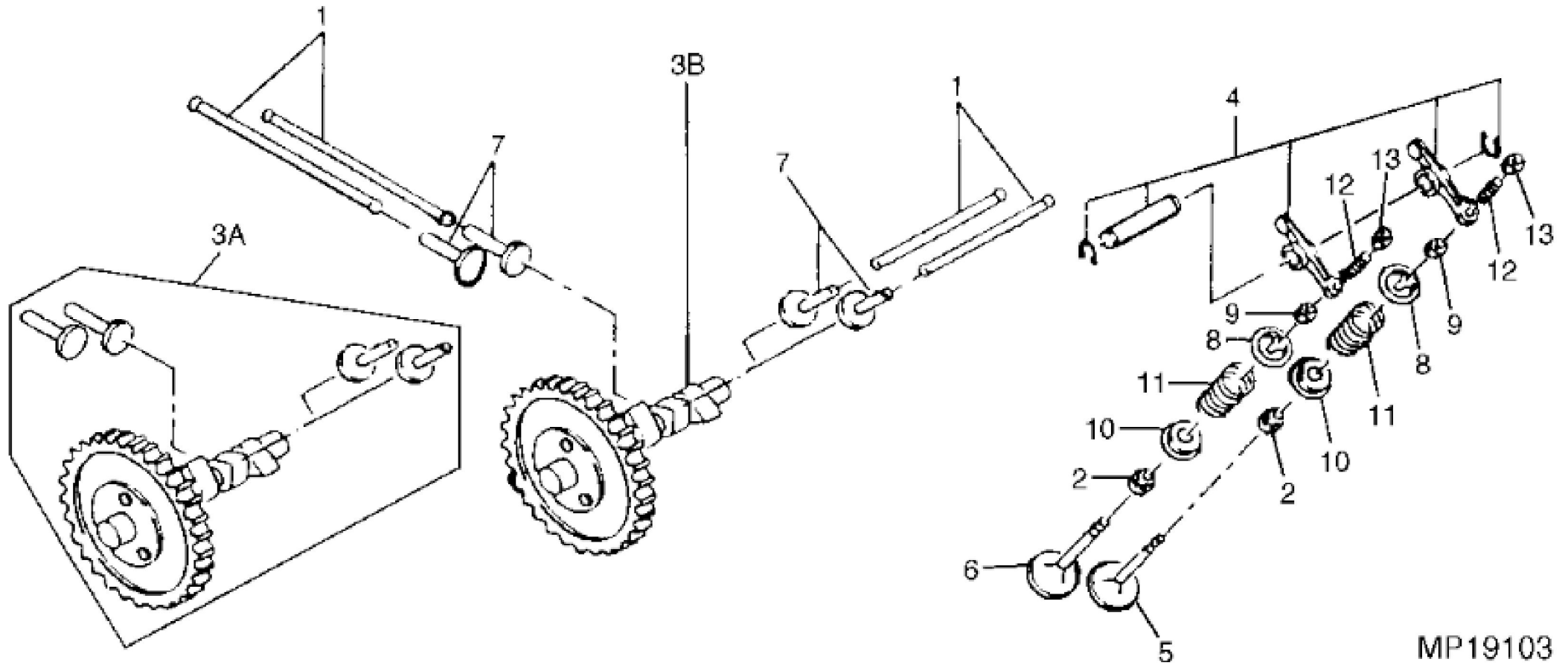
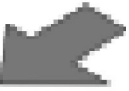
**For more complete manuals. Please go to the home page.**

**<https://www.ebooklibonline.com>**

**If the above button click is invalid. Please download this document first, and then click the above link to download the complete manual.**

**Thank you so much for reading**

KEY	PART NO.	PART NAME	QTY	425	445	REMARKS
1	M97319	PISTON RING KIT	1			Standard
1	M97328	PISTON RING KIT	AR			.50 MM (.020") OS
2	M76120	SNAP RING	2			
3	MIU11458	PISTON REPLACEMENT KIT	2	X		ALSO ORDER (2) M76120 AND M97319; SUB FOR AM117846; Standard
3	AM117847	PISTON REPLACEMENT KIT	1	X		.50 MM (.020") OS, INCLUDES (2) M117036, (4) M76120 AND (2) M97328; Set Of 2
3	AM109377	PISTON REPLACEMENT KIT	2		X	ORDER M76120, M97319 AND MIU13854
3	AM109383	PISTON REPLACEMENT KIT	1		X	.50 MM (.020") OS, ORDER M76120, M97328 AND M97331; Set Of 2
4	M76119	PIN	2			
5	MIA12866	CRANKSHAFT	1			SUB FOR AM109385
6	M76122	DOWEL PIN	1			USE WITH AM109385
7	M76121	SPUR GEAR	1			USE WITH AM109385
7	MIU14323	SPUR GEAR	1			ORDER MIA12866
8	AM133731	CONNECTING ROD	2			ORDER MIA12487; SUB FOR AM105565
8	MIA12487	CONNECTING ROD	2			
8	AM133732	CONNECTING ROD	1			.50 MM (.020") US, ORDER MIA12608; SUB FOR AM105566; STD
8	MIA12608	CONNECTING ROD	1			0.50 MM (.020") US
9	M147310	BOLT	4			SUB FOR PT12040
10	MIU13854	PISTON	2		X	Standard
10	M117036	PISTON	2	X		0.50 MM (.020") OS
10	M97331	PISTON	2		X	0.50 MM (.020") US



MP19103

**<https://www.ebooklibonline.com>**

Hello dear friend!

Thank you very much for reading.

Enter the link into your browser.

The full manual is available for immediate download.

**<https://www.ebooklibonline.com>**