

MP6944

John Deere > Turf And Utility >TRACTOR, LAWN AND GARDEN >420 - TRACTOR, LAWN AND GARDEN >420 Lawn and Garden Tractor >20 ENGINE (ONAN M.N. B48G) AM102580 >ST606519 - BLOWER HOUSING (ONAN M.N. B48G) (222001 - 420000)

KEY	PART NO.	PART NAME	QTY	Serial No.	REMARKS
1	37H51	SCREW	7		1/4" X 1/2"
2	HE134-4728	HOUSING	1		(SUB FOR HE134-4288, HE134-4559 AND HE134-4654)
3	HE134-4272	HOUSING	1		RH, (SUB FOR HE134-4276)
4	19H1900	CAP SCREW	2		5/16" X 3/4"
5	HE134-4265	HOUSING	1		LH, (SUB FOR HE134-4268)
6	HE821-0008	CAP SCREW	5		
7	HE403-1523	BRACKET	2		
8A	AM39428	PANEL	1	____-285000	
8B	M85227	DEFLECTOR	1	285001-____	UPPER FRONT
9	37H3	SCREW	4		1/4" X 5/8"
10	24H1923	WASHER	5		9/32" X 3/4" X 0.120"

**<https://www.ebooklibonline.com>**

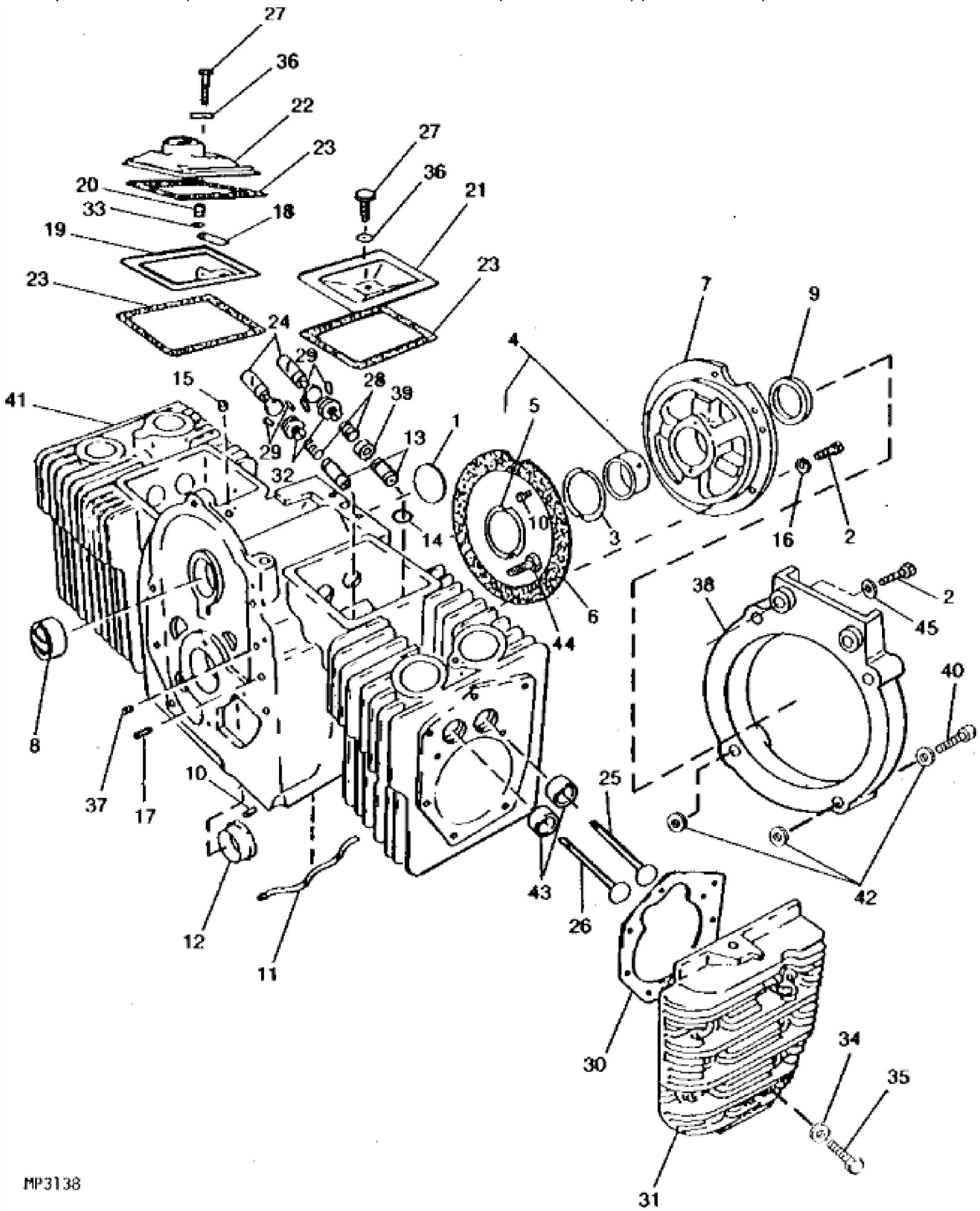
Hello dear friend!

Thank you very much for reading.

Enter the link into your browser.

The full manual is available for immediate download.

**<https://www.ebooklibonline.com>**



John Deere > Turf And Utility >TRACTOR, LAWN AND GARDEN >420 - TRACTOR, LAWN AND GARDEN >420 Lawn and Garden Tractor >20 ENGINE (ONAN M.N. B48G) AM102580 >ST606520 - CYLINDER BLOCK (ONAN M.N. B48G) (222001 - 420000)

KEY	PART NO.	PART NAME	QTY	REMARKS
1	HE517-0048	PLUG	1	
2	19H1732	CAP SCREW	7	3/8" X 1-1/4", (2 ON MUFFLER) (5 ON PLATE)
3	HE104-0776	SHIM	AR	
4	HE101-0804	BEARING KIT	1	STD (FRONT), (SUB FOR HE101-0450)
4	HE10241	BEARING	1	.002" US, (NO LONGER AVAILABLE), (SUB HE10242)
4	HE10242	BEARING	1	.010" US, NLA
4	HE10243	BEARING	1	.020" US, (NO LONGER AVAILABLE), (SUB HE10244)
4	HE10244	BEARING	1	.030" US
5	HE104-0575	THRUST WASHER	2	
6	HE101-0809	GASKET	1	BEARING PLATE, (SUB FOR HE101-0415, HE101-0773 AND HE101-0782)
7	HE101-0439	PLATE	1	REAR BEARING
8	HE101-0405	BEARING	2	
9	HE509-0041	SEAL	1	
10	HE516-0072	PIN FASTENER	4	
11	HE120-0735	TUBE	1	
12	HE101-0432	BEARING	1	STD (REAR)
12	HE10245	BEARING	1	.002" US, (NO LONGER AVAILABLE), (SUB HE10246)
12	HE10246	BEARING	1	.010" US
12	HE10247	BEARING	1	.020" US
12	HE10248	BEARING	1	.030" US
13	HE110-3161	GUIDE	2	INTAKE VALVE, (ALSO ORDER HE110-3136) (SUB FOR HE110-3159)
13	HE110-1935	GUIDE	2	EXHAUST VALVE
14	HE110-3136	GASKET	2	(K), INTAKE VALVE GUIDE
15	HE517-0120	PLUG	1	
16	12H304	LOCK WASHER	5	3/8"
17	HE516-0141	SPRING PIN	2	
18	HE123-1175	TUBE	1	(NO LONGER AVAILABLE), (ORDER AM118303)
19	AM148495	DEFLECTOR	1	SUB FOR HE123-1173
20	HE123-1174	SPRING	1	(NO LONGER AVAILABLE), (ORDER AM118303)
21	HE110-1879	VALVE COVER	1	
22	HE110-2274	VALVE COVER	1	
23	HE110-1921	GASKET	3	VALVE COVER



**Suggest:**

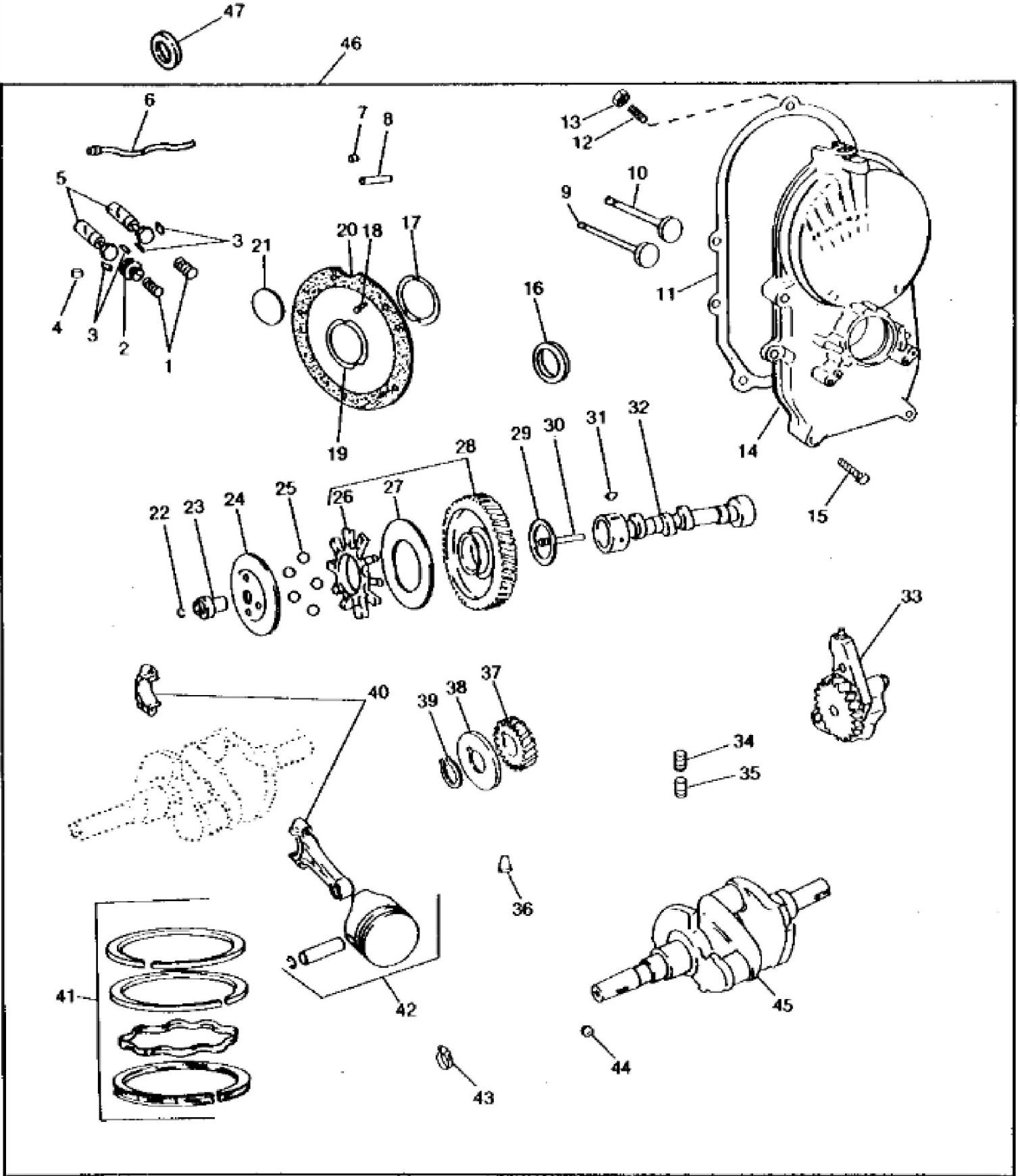
**For more complete manuals. Please go to the home page.**

**<https://www.ebooklibonline.com>**

**If the above button click is invalid. Please download this document first, and then click the above link to download the complete manual.**

**Thank you so much for reading**

KEY	PART NO.	PART NAME	QTY	REMARKS
24	HE115-0006	TAPPET	4	STD
24	AM39508	TAPPET	4	.002" OS
24	HE10344	TAPPET	4	.005" OS
25	HE110-2368	INTAKE VALVE	2	
26	HE110-1955	EXHAUST VALVE	2	
27	19H2102	CAP SCREW	2	1/4" X 1-3/4"
28	.....	SPRING	4	(K)
29	HE110-0639	LOCK	8	NLA; (K)
30	HE110-3181	ENGINE CYLINDER HEAD GASKET	2	CYLINDER HEAD
31	HE110-3509	CYLINDER HEAD	1	RH, (SUB FOR HE110-3214)
31	HE110-3508	CYLINDER HEAD	1	LH, (SUB FOR HE110-3213)
32	.....	ROTATOR	4	(K)
33	24H1287	WASHER	1	9/32" X 5/8" X 0.065"
34	HE526-0122	WASHER	18	
35	HE800-0540	CAP SCREW	8	
35	19H3131	CAP SCREW	10	5/16" X 2", (SUB FOR HE800-0541)
36	HE526-0063	WASHER	2	
37	HE517-0067	PLUG	1	
38	HE190-0597	ADAPTER FITTING	1	NLA; CLUTCH
39	HE110-3604	SEAL	2	(SUB FOR PT7928)
40	19H2922	SCREW	2	3/8" X 1-1/4"
41	.....	CYLINDER BLOCK	1	(SUB HE110-3116 SHORT BLOCK)
42	HE526-0066	WASHER	2	
43	HE110-1824	VALVE SEAT INSERT	2	EXHAUST
43	HE110-0197	VALVE SEAT INSERT	2	INTAKE
44	19H2038	CAP SCREW	2	3/8" X 1/2"
45	HE526-0245	WASHER	4	(USE (2) WITH 19H2922 ON BOTTOM OF CLUTCH ADAPTER AND USE (2) WITH 19H1732 ON TOP OF CLUTCH ADAPTER)
..	AM118301	SPRING KIT	1	NLA; VALVE ATTACHING (INCLUDES PARTS MARKED (K))



**<https://www.ebooklibonline.com>**

Hello dear friend!

Thank you very much for reading.

Enter the link into your browser.

The full manual is available for immediate download.

**<https://www.ebooklibonline.com>**