

PUC03119

KEY	PART NO.	PART NAME	QTY	REMARKS	
1	SJ329725	CLUTCH DISK	1		
2	SU328265	BEARING	1		
3	SJ337088	CLUTCH PLATE	1	SUB FOR SJ330745	
4	SU318990	LOCK WASHER	6		
5	19M3129	CAP SCREW	6	M8 X 20	

**<https://www.ebooklibonline.com>**

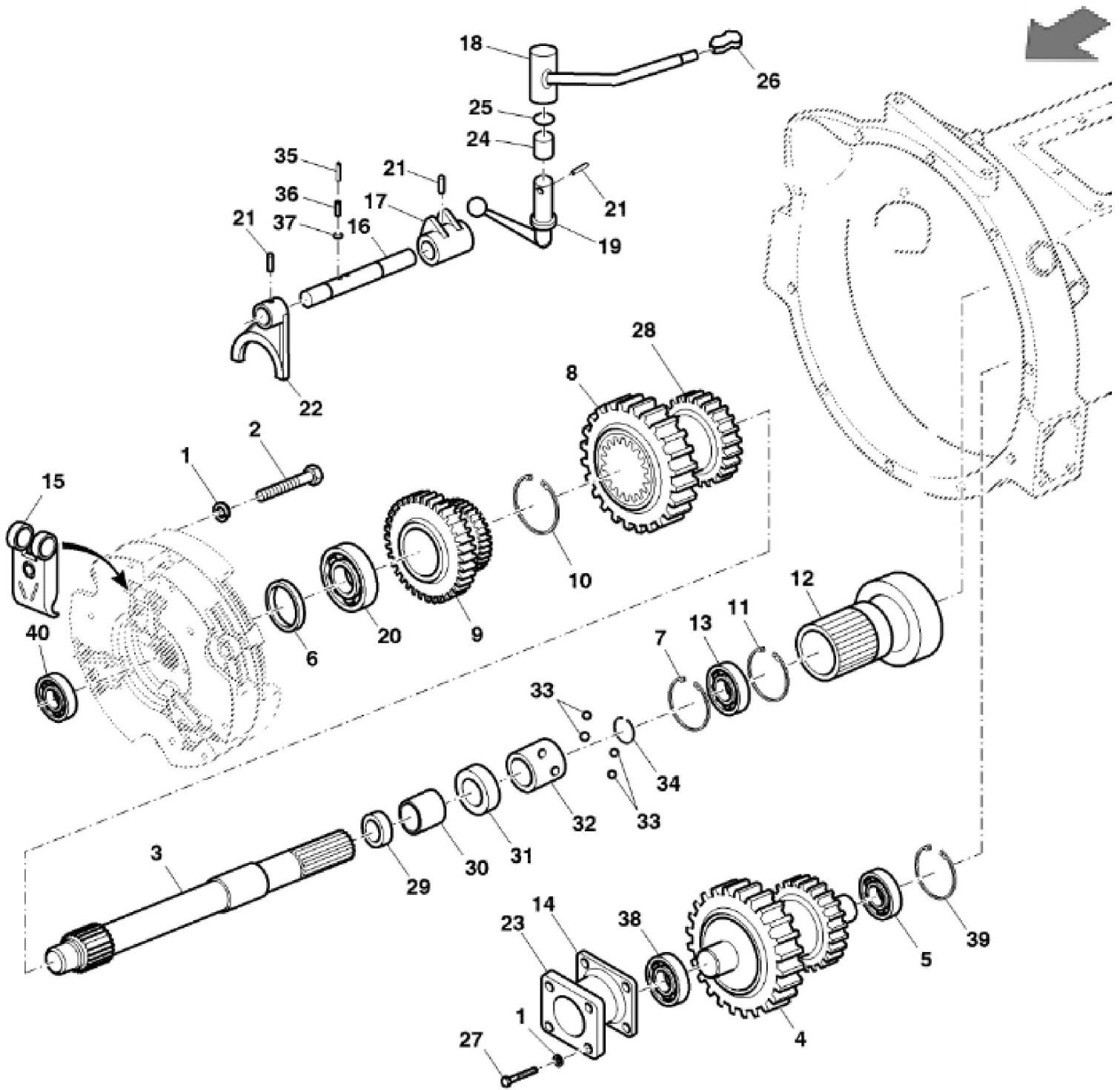
Hello dear friend!

Thank you very much for reading.

Enter the link into your browser.

The full manual is available for immediate download.

**<https://www.ebooklibonline.com>**



PUC03922

KEY	PART NO.	PART NAME	QTY	REMARKS
1	SU318990	LOCK WASHER	10	
2	SU326991	BOLT	6	
3	SU324532	SHAFT	1	
4	SU326803	GEAR	1	
5	SU318283	BEARING	1	
6	SU318565	SEAL	1	
7	SU319006	SNAP RING	1	
8	SU324535	GEAR	1	
9	SU324533	GEAR	1	
10	SU318708	SNAP RING	1	
11	SU318693	SNAP RING	1	
12	SU326919	SLEEVE	1	
13	SU318264	BEARING	1	
14	SU326182	GASKET	1	
15	SU315649	LEVER	2	
16	SU324538	SHAFT	1	
17	SU324539	SHIFTER	1	
18	SJ326915	ROD	1	
19	SU327002	SHAFT	1	
20	SU318271	BEARING	1	
21	34M7031	SPRING PIN	3	5 X 24 mm
22	SU324537	FORK	1	
23	SU326272	BEARING HOUSING W/O BEARING	1	
24	SU315180	SLEEVE	1	
25	SU317898	O-RING	1	
26	SU321172	KNOB	1	
27	SU318732	BOLT	4	
28	SU327000	WASHER	1	
29	SU326918	SEAL	1	
30	SU327001	SLEEVE	1	
31	SU324543	WASHER	1	
32	SU324524	SPLINED COUPLING	1	
33	SU318513	BALL	4	
34	SU318699	SNAP RING	1	
35	SU327003	SHAFT	1	



**Suggest:**

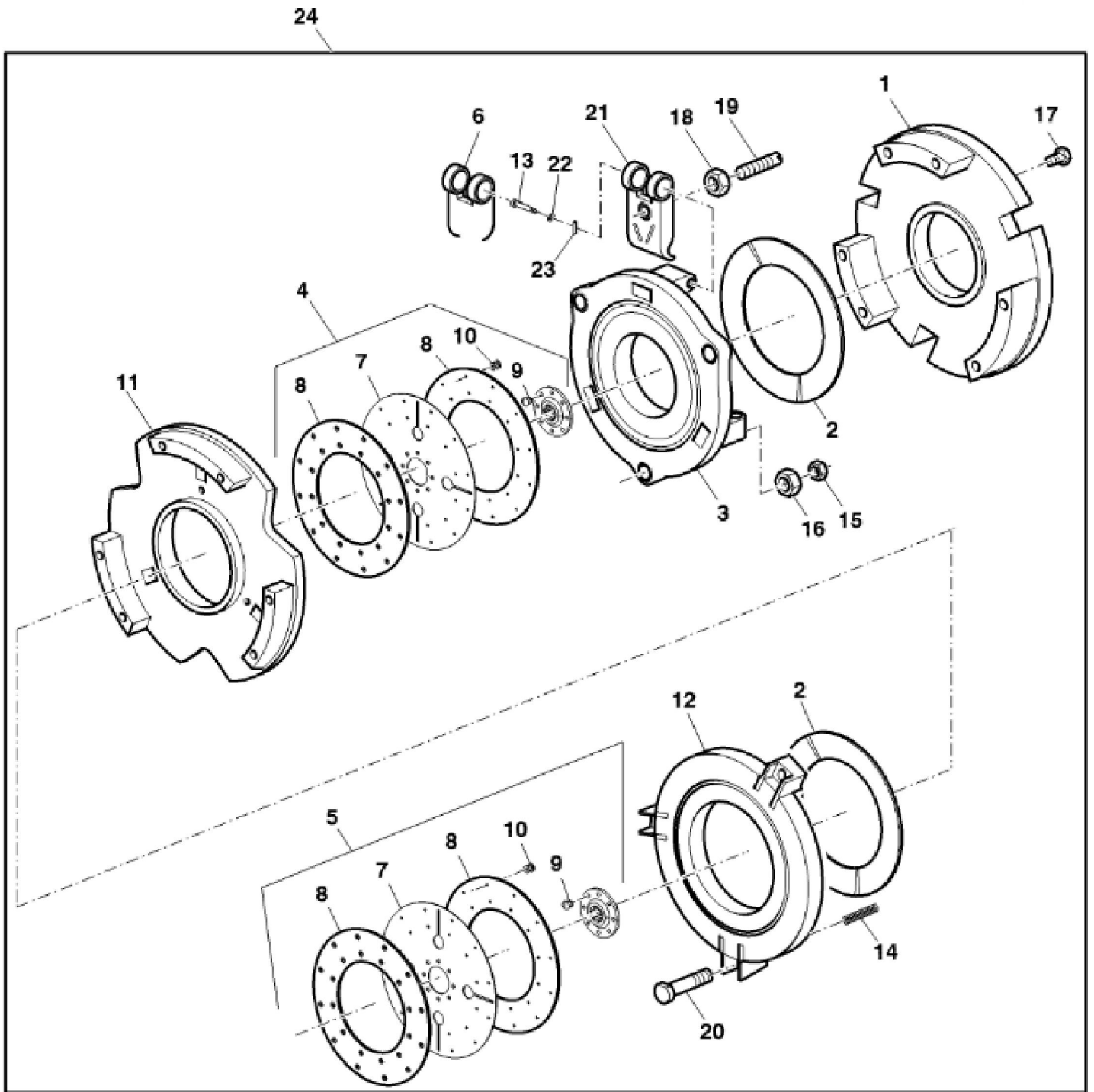
**For more complete manuals. Please go to the home page.**

**<https://www.ebooklibonline.com>**

**If the above button click is invalid. Please download this document first, and then click the above link to download the complete manual.**

**Thank you so much for reading**

KEY	PART NO.	PART NAME	QTY	REMARKS	
36	SU314814	SPRING	1		
37	SU318528	BALL	1		
38	SU318282	BEARING	1		
39	SU318688	SNAP RING	1		
40	SU318265	BEARING	1		



PUC03923

**<https://www.ebooklibonline.com>**

Hello dear friend!

Thank you very much for reading.

Enter the link into your browser.

The full manual is available for immediate download.

**<https://www.ebooklibonline.com>**