

MP4526

KEY	PART NO.	PART NAME	QTY	REMARKS
1	M87810	FLANGE	1	
2	19M7774	SCREW	2	M6 X 12 HS, HEAD MARKED 10.9
3	CH10568	O-RING	2	
4	CH10642	PLUG	2	
5	CH10640	PLUG	1	
6	CH17101	PLUG	4	
7	M800013	BUSHING	1	CAMSHAFT
8	M800006	DOWEL PIN	2	
9	M800002	PLUG	2	
10	M89140	SHAFT	1	IDLE GEAR
11	19M7774	SCREW	3	M6 X 12 HS, HEAD MARKED 10.9
12	M89139	PLATE	1	
13	CH16769	SNAP RING	1	
14	AM875059	BEARING KIT	4	STANDARD
14	AM875026	BEARING KIT	4	.25MM (.009") OVERSIZE
15	M800012	BOLT	8	
16	M89143	GUIDE	1	
17	CH10571	PACKING	1	
18	AM875060	BEARING KIT	2	
19	CH15478	PLUG	1	
20	CH10314	PLUG	2	
21	AM100800	DRAIN VALVE	1	
22	M802254	PIN	1	(SUB FOR M87808)
23	CH10534	PIN	1	
24	CH15500	SWITCH	1	OIL PRESSURE
25	AM875018	CYLINDER BLOCK	1	KIT
26	M800420	DIPSTICK	1	(SUB FOR M87894)
27	M800045	GUIDE	1	
28	19M7300	CAP SCREW	1	M6 X 10
..	AM101263	GASOLINE ENGINE	1	NOT AVAILABLE (SUB AM103332 ENGINE)
..	AM103332	ENGINE	1	

**<https://www.ebooklibonline.com>**

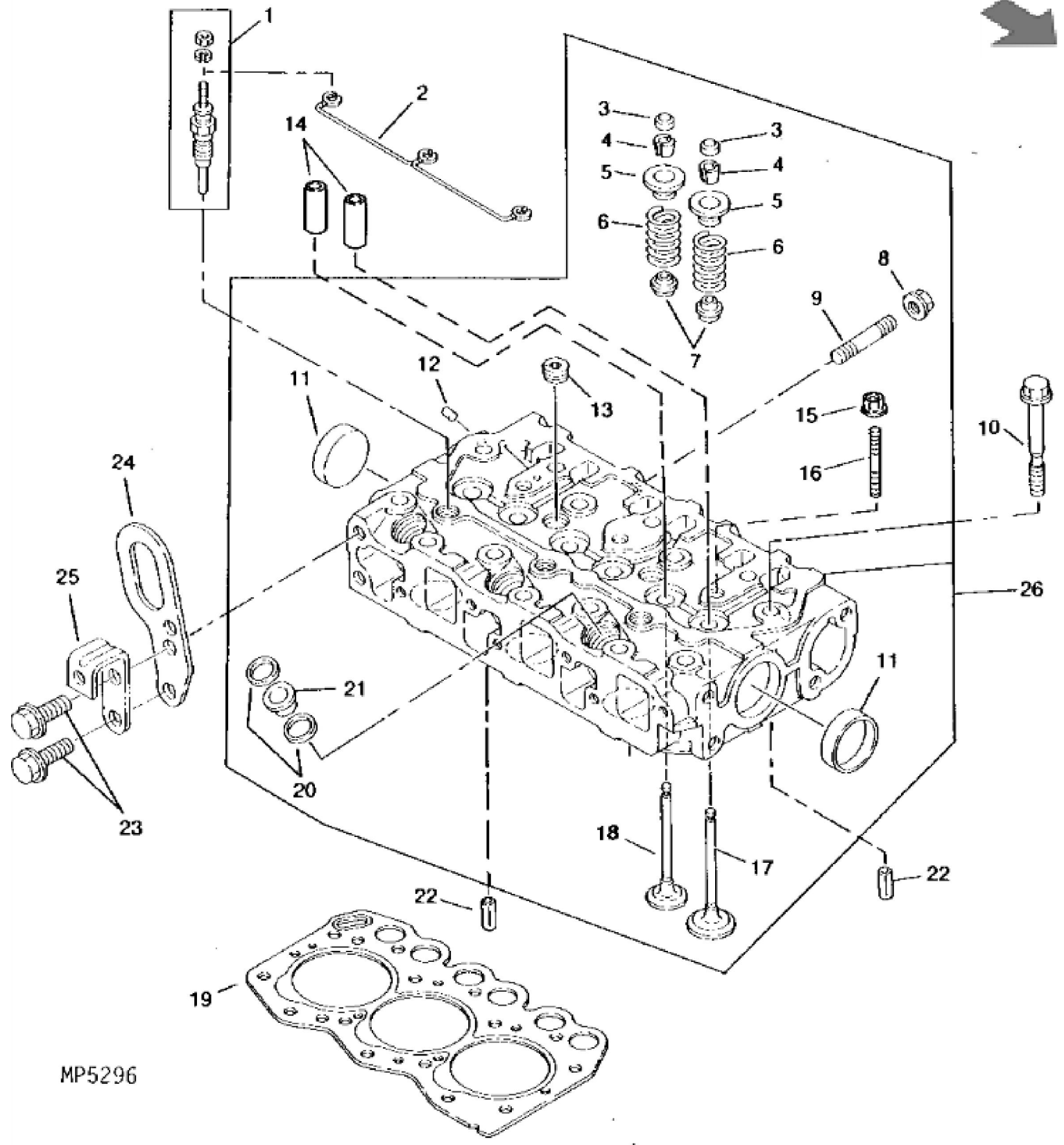
Hello dear friend!

Thank you very much for reading.

Enter the link into your browser.

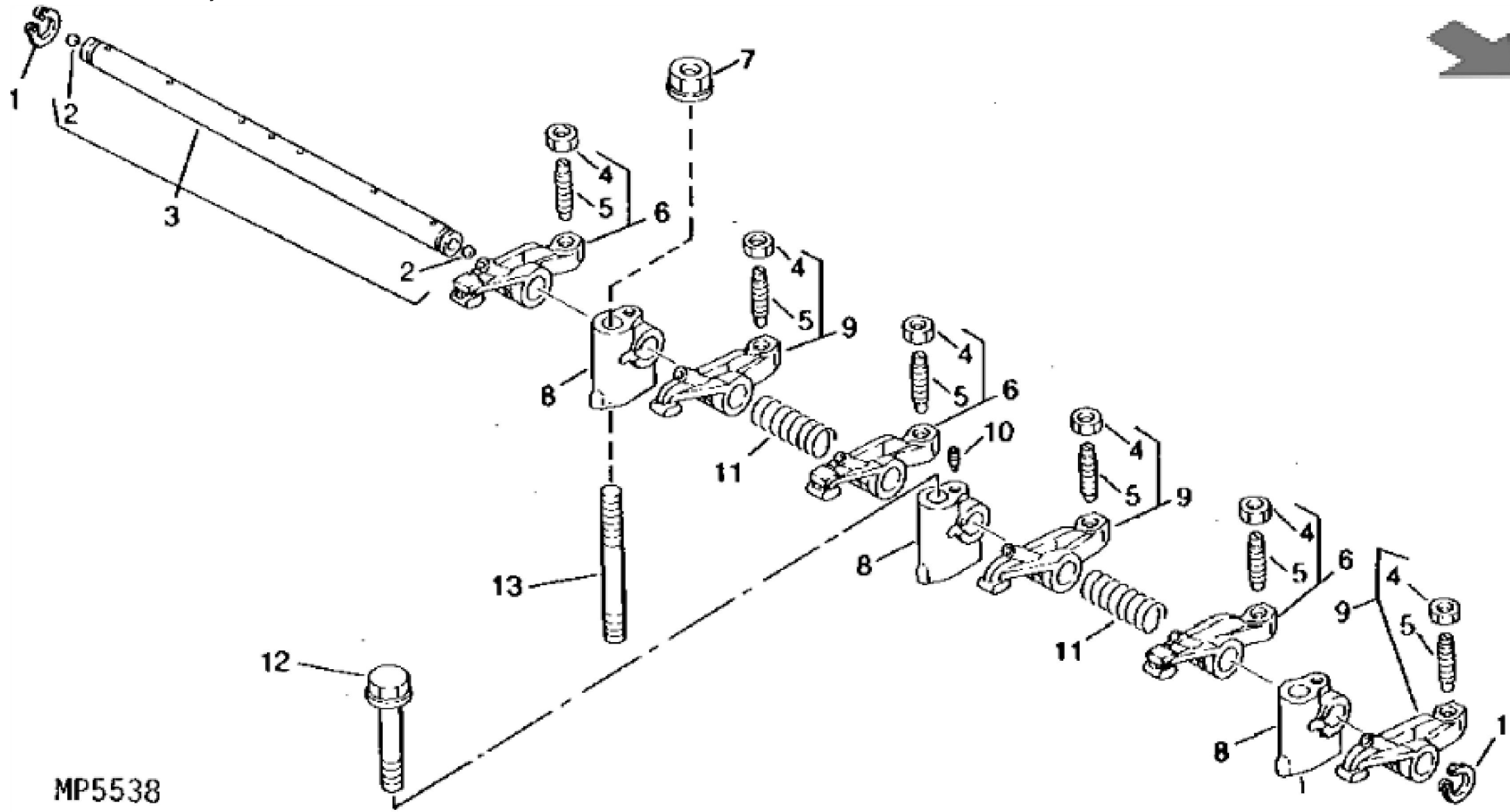
The full manual is available for immediate download.

**<https://www.ebooklibonline.com>**



MP5296

KEY	PART NO.	PART NAME	QTY	REMARKS
1	M87919	GLOW PLUG	3	
2	M87920	ELECTRICAL CONNECTOR ASSY	1	
3	M800023	CAP	6	
4	M800021	RETAINER	12	
5	M800020	HOLDER	6	
6	M800019	SPRING	6	
7	M800022	SEAL	6	
8	14M7303	FLANGE NUT	2	M6, (SUB FOR M87828)
9	M800034	STUD	2	
10	M800003	BOLT	14	
11	CH17438	PLUG	2	
12	M87831	PLUG	1	
13	CH16747	PLUG	2	
14	M800067	GUIDE	6	
15	14M7298	FLANGE NUT	2	M8
16	M87836	STUD	2	ARM SUPPORT
17	M800017	INTAKE VALVE	3	
18	M800018	EXHAUST VALVE	3	
19	M801790	GASKET	1	CYLINDER HEAD
20	M89135	GASKET	6	
21	M89134	PACKING	3	
22	CH18079	SPRING PIN	2	
23	19M7865	SCREW	2	M8 X 16
24	M800066	BRACKET	1	LIFT
25	M802216	BRACKET	1	FUEL FILTER
26	AM875030	CYLINDER HEAD	1	(SUB FOR AM875561)



MP5538



**Suggest:**

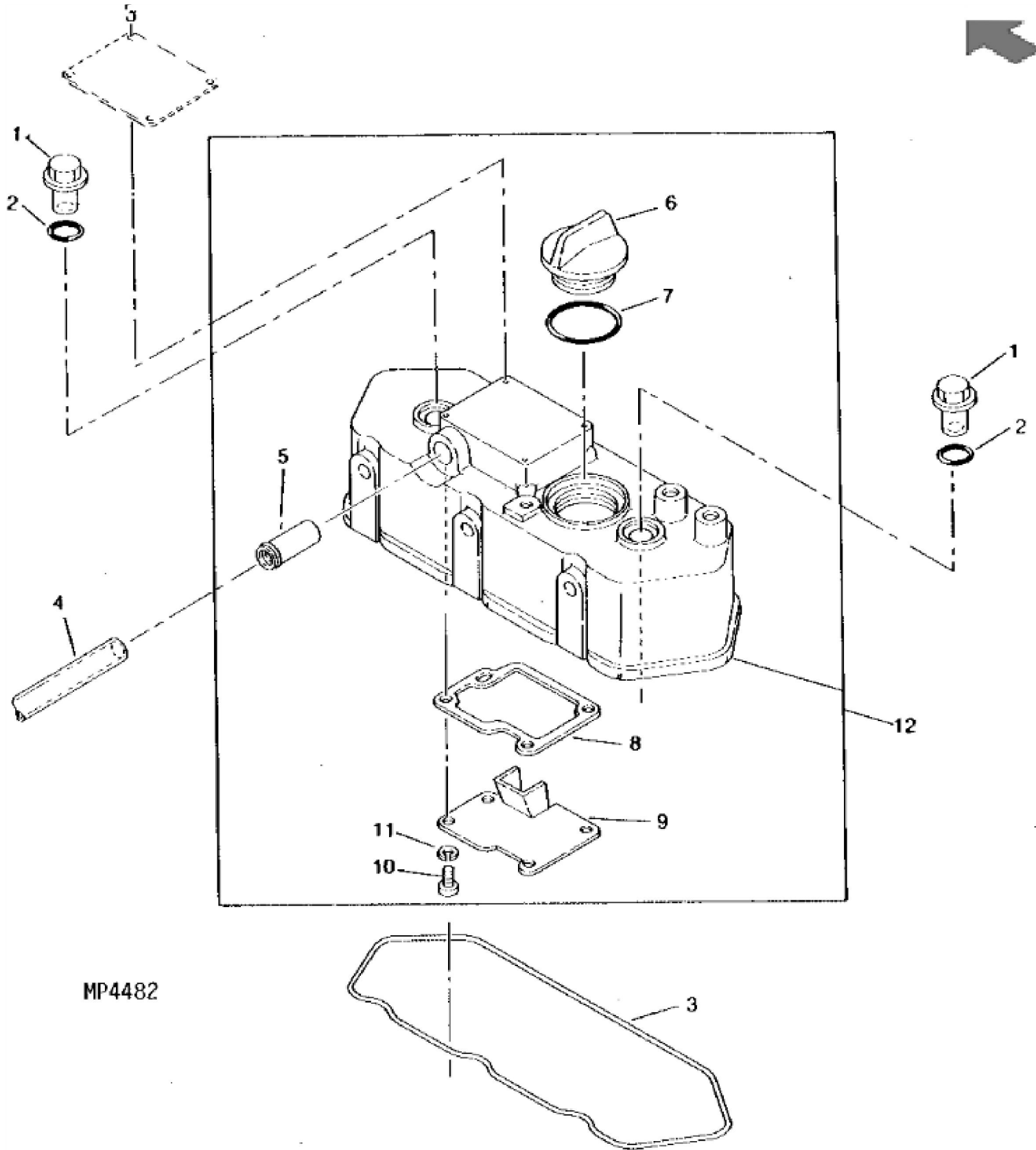
**For more complete manuals. Please go to the home page.**

**<https://www.ebooklibonline.com>**

**If the above button click is invalid. Please download this document first, and then click the above link to download the complete manual.**

**Thank you so much for reading**

KEY	PART NO.	PART NAME	QTY	REMARKS	
1	CH17950	RING	2		
2	R63075	BALL	2	(SUB FOR CH18341)	
3	AM875002	ROCKER ARM SHAFT	1		
4	14M7194	NUT	6	M6	
5	M87841	SCREW	6		
6	AM875029	ROCKER ARM	3	EXHAUST	
7	14M7298	FLANGE NUT	2	M8	
8	M800024	SUPPORT	3		
9	AM875028	ROCKER ARM	3	INTAKE	
10	M800069	SELF-LOCKING SCREW	1		
11	M800025	SPRING	2		
12	CH19101	BOLT	1		
13	M87836	STUD	2		



MP4482

**<https://www.ebooklibonline.com>**

Hello dear friend!

Thank you very much for reading.

Enter the link into your browser.

The full manual is available for immediate download.

**<https://www.ebooklibonline.com>**