

M2616

KEY	PART NO.	PART NAME	QTY	REMARKS	
1	M83543	CYLINDER HEAD	2	(SUB FOR M83034)	
2	M70347	ENGINE CYLINDER HEAD GASKET	2	CYLINDER HEAD (SUB FOR M83035 AND M84364)	
3	M42034	BOLT	17		
4	M42010	WASHER	18		
5	M42097	STUD	1		
6	14H785	NUT	1	5/16"	
7	M85204	SPACER	1		

**<https://www.ebooklibonline.com>**

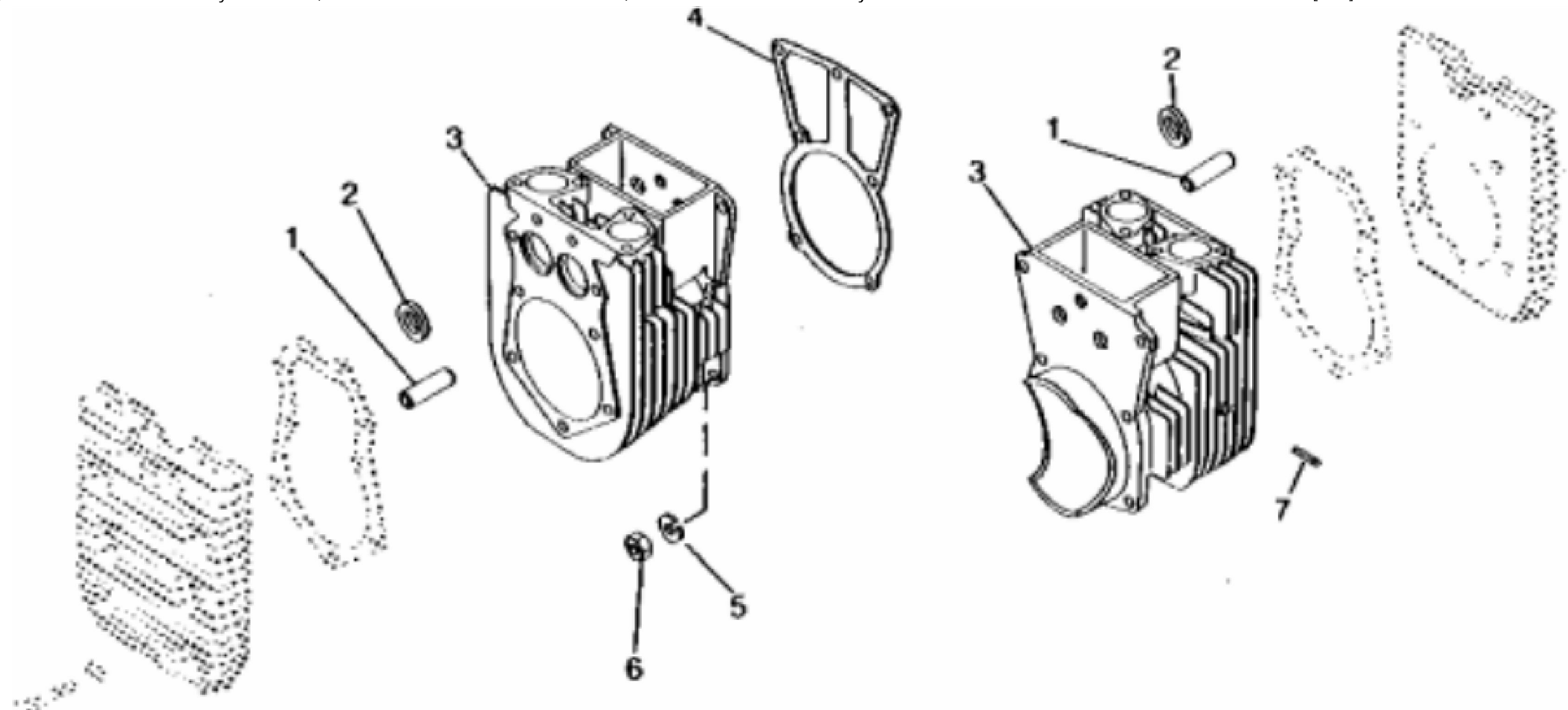
Hello dear friend!

Thank you very much for reading.

Enter the link into your browser.

The full manual is available for immediate download.

**<https://www.ebooklibonline.com>**



Part No. 75

HP2617

KEY	PART NO.	PART NAME	QTY	REMARKS	
1	M84722	GUIDE	2	(SUB FOR M83125)	
2	M83126	VALVE SEAT INSERT	2		
3	AM38852	CYLINDER BLOCK	2	(SUB FOR AM38010)	
4	M83028	ENGINE CYLINDER HEAD GASKET	2	CYLINDER BARREL	
5	12H304	LOCK WASHER	12	3/8"	
6	14H1076	NUT	12	3/8"	
7	34H252	SPRING PIN	1	1/8" X 1-1/4"	



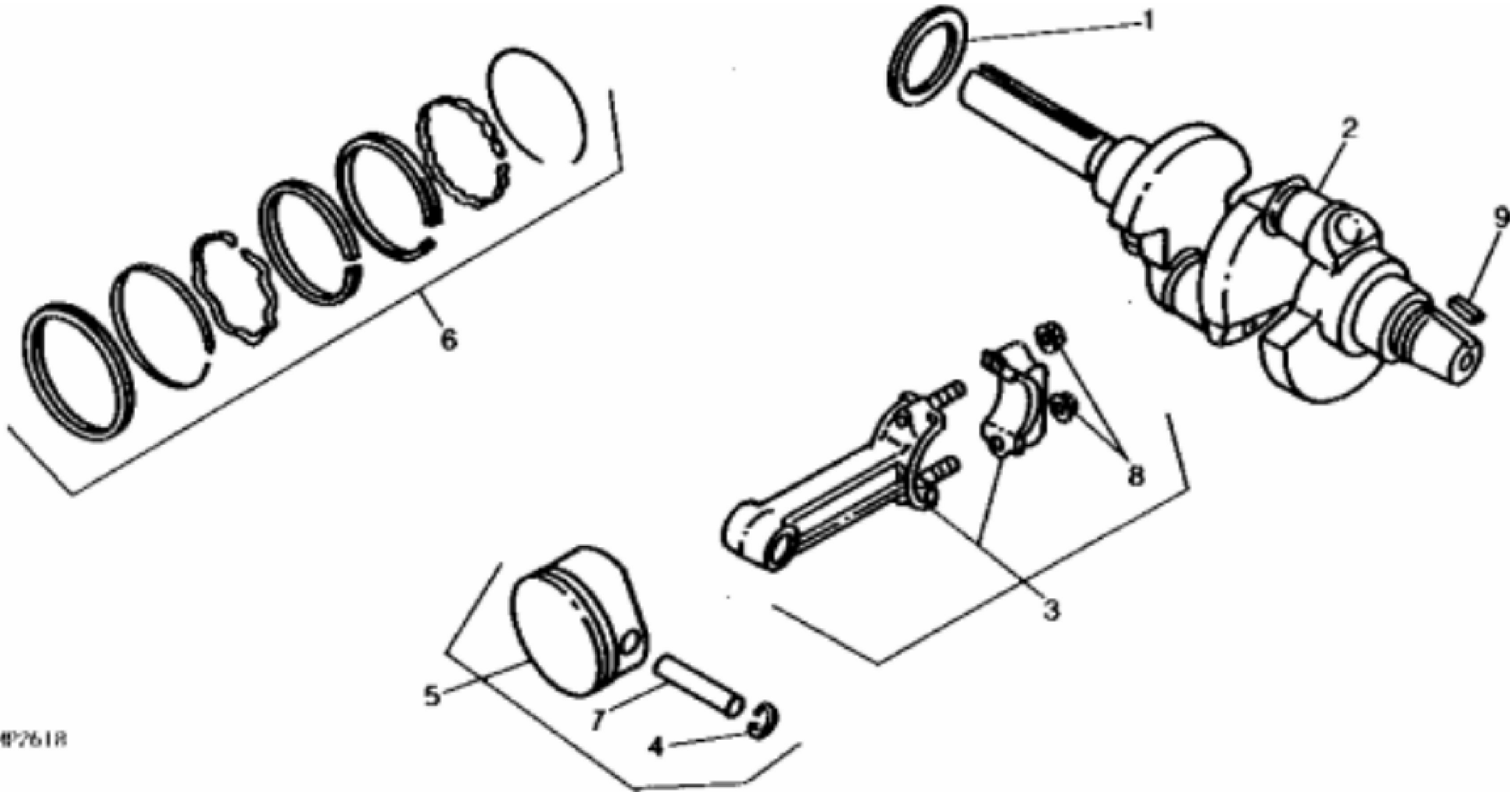
**Suggest:**

**For more complete manuals. Please go to the home page.**

**<https://www.ebooklibonline.com>**

**If the above button click is invalid. Please download this document first, and then click the above link to download the complete manual.**

**Thank you so much for reading**



MP2618

[A14]

KEY	PART NO.	PART NAME	QTY	Tractor Serial No.	REMARKS
1	M83031	THRUST WASHER	AR		(.119/.122 THICK)
1	M83032	THRUST WASHER	1		(.128/.131 THICK)
1	M83033	THRUST WASHER	AR		(.137/.140 THICK)
2	AM38012	CRANKSHAFT	1	____-191543	
2	AM38854	CRANKSHAFT	1	191544-____	
2	AM100427	CRANKSHAFT	1		(KT17QS24301)
3	AM100423	CONNECTING ROD	2		STD, (SUB FOR AM38695 OR AM38023) (ENG. S.N. - 15089861)
3	AM104118	CONNECTING ROD	2		STD, (ENG. S.N. 15089862- )
3	AM100424	CONNECTING ROD	2		.010 U.S. (SUB FOR AM38024 OR AM39312) (ENG. S.N. - 15089861)
3	AM104954	CONNECTING ROD	2		.010 U.S. (ENG. S.N. 15089862- )
4	M42013	RETAINER	4		
5	AM102940	PISTON	2		STD, (SUB FOR AM38028 OR AM38691) (ENG. S.N. - 15089861)
5	AM104116	PISTON	2		STD (ENG. S.N. (15089862- )
5	AM102941	PISTON	2		.003 O.S. (SUB FOR AM100445) ENG. S.N. -15089861)
5	AM104117	PISTON	2		.003 O.S. (ENG.S.N. 15089862- )
5	AM102942	PISTON	2		.010 O.S. (SUB FOR AM38029 OR AM38692) (ENG. S.N. -15089861)
5	AM104955	PISTON	2		.010 O.S. (ENG. S.N. 15089862- )
5	AM102943	PISTON	2		.020 O.S. (SUB FOR AM38030 OR AM38693) (ENG. S.N. -15089861)
5	AM104956	PISTON	2		.020 O.S. (ENG. S.N. 15089862- )
5	AM102944	PISTON	2		.030 O.S. (SUB FOR AM38031 OR AM38694) (ENG. S.N. -15089861)
5	AM104957	PISTON	2		.030 O.S. (ENG. S.N. 15089862- )
6	AM102951	PISTON RING KIT	2		STD. (SUB FOR AM38032)
6	AM103293	RING	2		.010 O.S. (SUB FOR AM38033)
6	AM102394	RING	2		.020 O.S. (SUB FOR AM38034)
6	AM38035	RING	2		.030 O.S. (ENG. S.N. -15089861)
6	AM104958	RING	2		.030 O.S. (ENG. S.N. 15089862- )
7	.....	PISTON PIN	2		(INCLUDED WITH PISTON)

**<https://www.ebooklibonline.com>**

Hello dear friend!

Thank you very much for reading.

Enter the link into your browser.

The full manual is available for immediate download.

**<https://www.ebooklibonline.com>**