

MP9041

John Deere > Turf And Utility >TRACTOR, LAWN AND GARDEN >320 - TRACTOR, LAWN AND GARDEN >240, 245, 260, 265, 285 & 320 Lawn and Garden Tractors >20 ENGINE (240 ENGINE SN -124169)
(260/265 ENGINE SN -163399) AM130363, AM128342 >ST554919 - ENGINE AND SHORT BLOCK (240)

KEY	PART NO.	PART NAME	QTY	REMARKS	
1	AM109221	SHORT BLOCK ASSEMBLY	1	(SUB AM130363) (SUB FOR AM104203)	
1	AM130363	SHORT BLOCK ASSEMBLY	1		
..	AM105820	GASOLINE ENGINE	1	(FC420V-CS00) (ORDER AM130363)	
..	AM106110	GASOLINE ENGINE	1	(FC420V-DS00) (ORDER AM130363)	

<https://www.ebooklibonline.com>

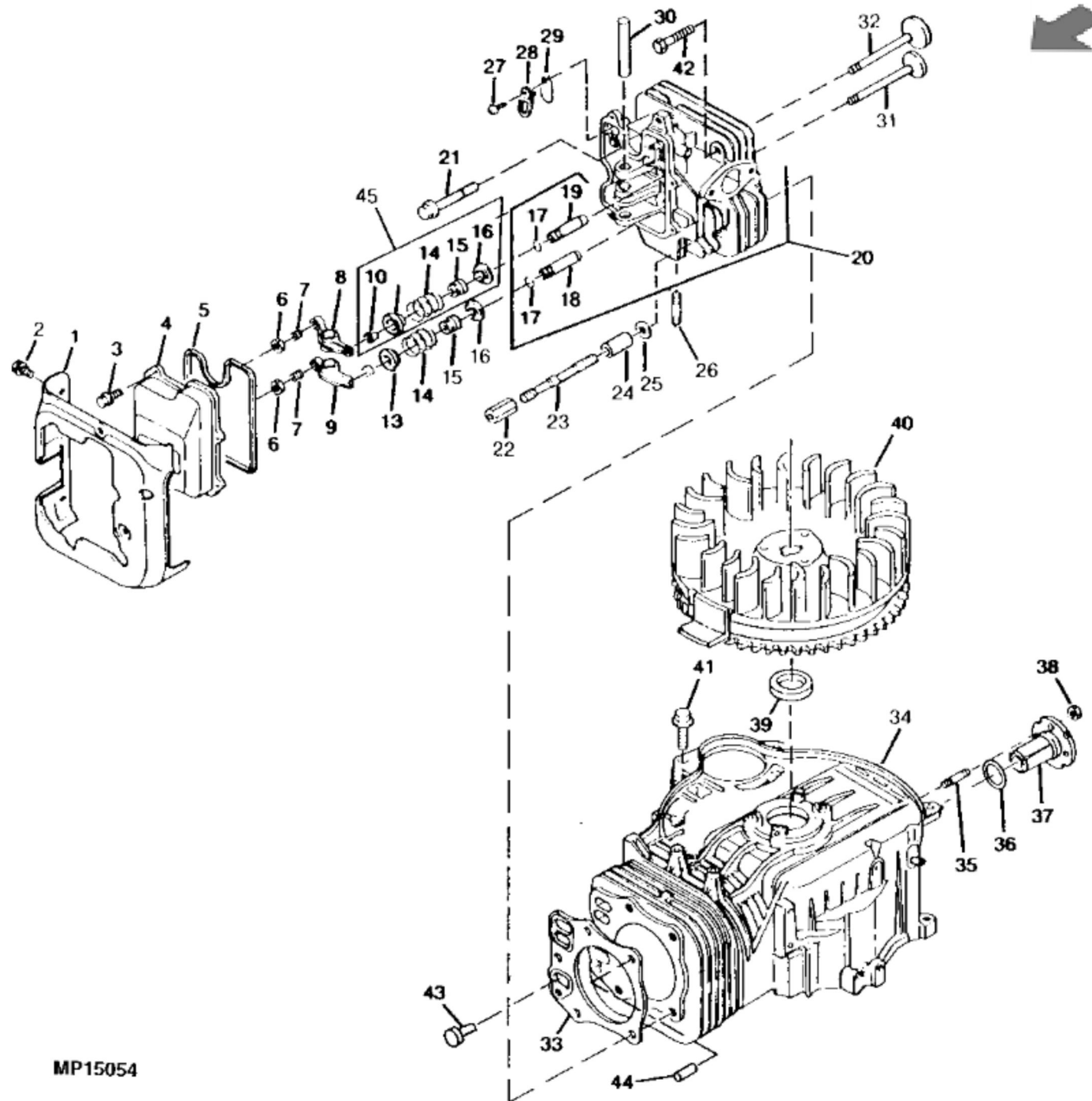
Hello dear friend!

Thank you very much for reading.

Enter the link into your browser.

The full manual is available for immediate download.

<https://www.ebooklibonline.com>



MP15054

KEY	PART NO.	PART NAME	QTY	240	260	265	REMARKS
1	SHROUD	1	X			(ORDER AM116667)
1	SHROUD	1		X	X	(ORDER AM109433)
2	19M7923	CAP SCREW	AR				M6 X 12
3	19M7775	SCREW	AR				M6 X 16
4	M70017	COVER	1				
5	M70018	GASKET	1				
6	M70039	NUT	2				(H)
7	M70038	PIN	2				(H)
8	M70035	BRACKET	1				(F); Intake
9	M70036	BRACKET	1				(F); Exhaust
10	M72323	NUT	1	X	X	X	(C)
11	M70030	COVER	1	X	X	X	(D)
12	M72322	WIRE	1	X	X	X	(C); Spring
13	RETAINER	1	X	X	X	(C) (D)
14	M97073	SPRING	2				(C); (D)
15	M97214	RING	2				(C); (D)
16	PLATE	2	X	X	X	(C); (D)
17	M70010	SNAP RING	2				
18	M74159	GUIDE	1	X			EXHAUST
18	M97251	BRACKET	1		X	X	EXHAUST (SUB FOR M70089)
19	M74159	GUIDE	1	X			INTAKE
19	M97251	BRACKET	1		X	X	INTAKE (SUB FOR M70060)
20	AM109218	CYLINDER HEAD	1	X			(SUB FOR AM104548 OR AM108954)
20	AM109087	CYLINDER HEAD	1		X	X	(SUB FOR AM101670 OR AM106265)
21	M70012	BOLT	2	X			
21	M77751	BOLT	1		X	X	SPARK PLUG SIDE
22	M74162	NUT	2	X			NLA
22	M70014	NUT	2		X	X	(NLA)
23	M77140	STUD	2	X			NLA
23	M70013	STUD	2		X	X	NLA
24	M74164	BUSHING	2	X			NLA
24	M70015	BUSHING	2		X	X	
25	M70016	WASHER	2				
26	MIU11876	BOLT	2				



Suggest:

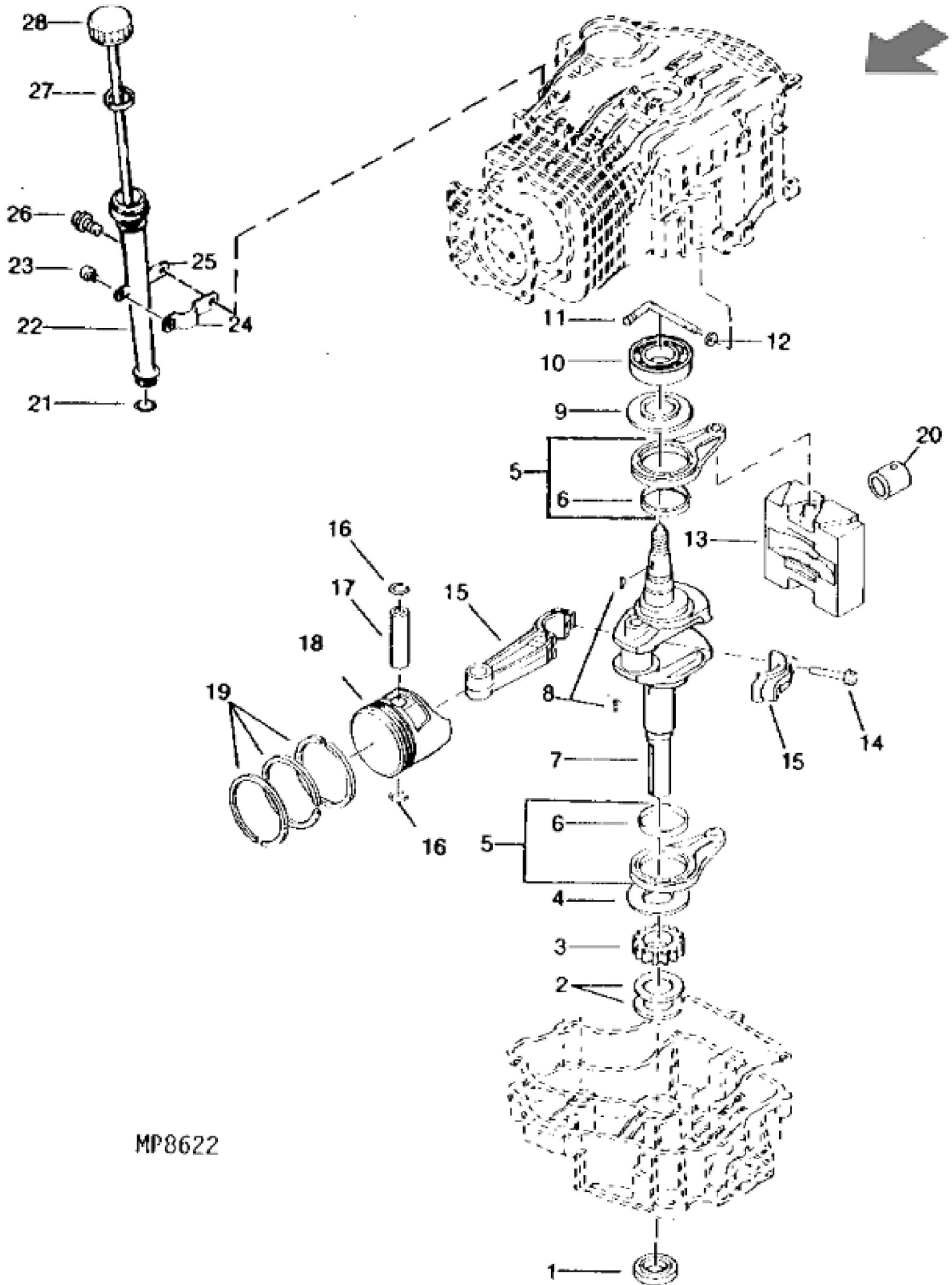
For more complete manuals. Please go to the home page.

<https://www.ebooklibonline.com>

If the above button click is invalid. Please download this document first, and then click the above link to download the complete manual.

Thank you so much for reading

KEY	PART NO.	PART NAME	QTY	240	260	265	REMARKS
27	M95848	SCREW	1				(SUB FOR PT12100)
28	PLATE	1				(G)
29	VALVE	1				(G) BREATHER
30	M70037	PIN	1				(F)
31	EXHAUST VALVE	1	X			(C)
31	M97256	VALVE	1		X	X	(D)
32	INTAKE VALVE	1	X			
32	M97255	VALVE	1		X	X	(C); (D)
33	M74160	RING	1	X			HEAD
33	M77752	ENGINE CYLINDER HEAD GASKET	1		X	X	HEAD
34	AM109210	CRANKCASE	1	X			(SUB FOR AM104554)
34	AM101675	CRANKCASE	1		X	X	
35	M88447	STUD	4				
36	M70096	O-RING	1				
37	M70186	SHAFT	1				CRANKSHAFT COUNTERWEIGHT (STEEL)
38	M70097	NUT	4				
39	M88451	SEAL	1				
40	AM104558	FLYWHEEL	1	X			NLA
40	AM102381	FLYWHEEL	1		X	X	NLA
41	MIU12001	BOLT	2				(SUB FOR M115466)
42	M74161	PIN	1	X			
42	M70012	BOLT	2		X	X	
43	M74249	VALVE	1	X			NLA; CHECK
44	M74163	PIN	2	X			
45	AM109423	INTAKE VALVE	1	X			INTAKE VALVE
45	AM109294	KIT	1		X	X	NLA; Includes Parts Marked (C); SUB FOR AM109421; Intake Valve
..	AM109422	EXHAUST VALVE	1	X			EXH. VALVE,)
..	AM109295	VALVE KIT	1		X	X	NLA; INCLUDES PARTS MARKED (D); SUB FOR AM109420; Exhaust Valve
..	AM109213	ARM KIT	1				NLA; Includes Parts Marked (F); Rocker Arm & Shaft
..	AM109222	VALVE TRAIN KIT	1				VALVE & PLATE, (INCLUDES PARTS MARKED (G))
..	AM116037	HARDWARE KIT	1				NLA; INCLUDES PARTS MARKED (H); Screw and Nut



MP8622

<https://www.ebooklibonline.com>

Hello dear friend!

Thank you very much for reading.

Enter the link into your browser.

The full manual is available for immediate download.

<https://www.ebooklibonline.com>