

MP9040

John Deere > Turf And Utility >TRACTOR, LAWN AND GARDEN >FC540V - TRACTOR, LAWN AND GARDEN >185 Lawn Tractor (with 38-Inch or 46-Inch Mower Deck) >20 ENGINE. AM117742 >ST552646 - ENGINE AND SHORT BLOCK

| KEY | PART NO. | PART NAME | QTY | Serial No. | REMARKS |
|-----|----------|----------------------|-----|---------------|---|
| 1 | AM131151 | SHORT BLOCK ASSEMBLY | 1 | | (SUB FOR AM102399, AM109361, AM118818, AM121297, AM128736 OR AM130359) |
| .. | AM101586 | GASOLINE ENGINE | 1 | ____-058710 | (FOR SERIAL NUMBERS (360001-595000), ALSO ORDER AM117523 AIR DUCT AND AM106119 WIRING HARNESS.) (ENGINE MARKED FC540V-AS00) (SUB AM105452) |
| .. | AM105452 | GASOLINE ENGINE | 1 | 058711-105580 | (FOR SERIAL NUMBERS (360001-595000), ALSO ORDER AM117523 AIR DUCT AND AM106119 WIRING HARNESS.) (ENGINE MARKED FC540V-BS00) (SUB AM117742) |
| .. | AM106111 | GASOLINE ENGINE | 1 | 105581-____ | (FOR SERIAL NUMBERS (360001-595000), ALSO ORDER AM117523 AIR DUCT AND AM106119 WIRING HARNESS.) (ENGINE MARKED FC540V-CS00) (SUB AM117742) |
| .. | AM115845 | GASOLINE ENGINE | 1 | | (FOR SERIAL NUMBERS (360001-595000), ALSO ORDER AM117523 AIR DUCT AND AM106119 WIRING HARNESS.) (ENGINE MARKED FC540V-DS00) (SUB AM117742) |
| .. | AM117742 | GASOLINE ENGINE | 1 | | (FOR SERIAL NUMBERS (360001-595000), ALSO ORDER AM117523 AIR DUCT AND AM106119 WIRING HARNESS.) (ENGINE MARKED FC540V-ES00) (ORDER AM131151) (SUB FOR AM124765 OR AM128736) |
| .. | AM109356 | GASKET | 1 | | ENGINE (SUB FOR AM102398 OR AM106267) |

<https://www.ebooklibonline.com>

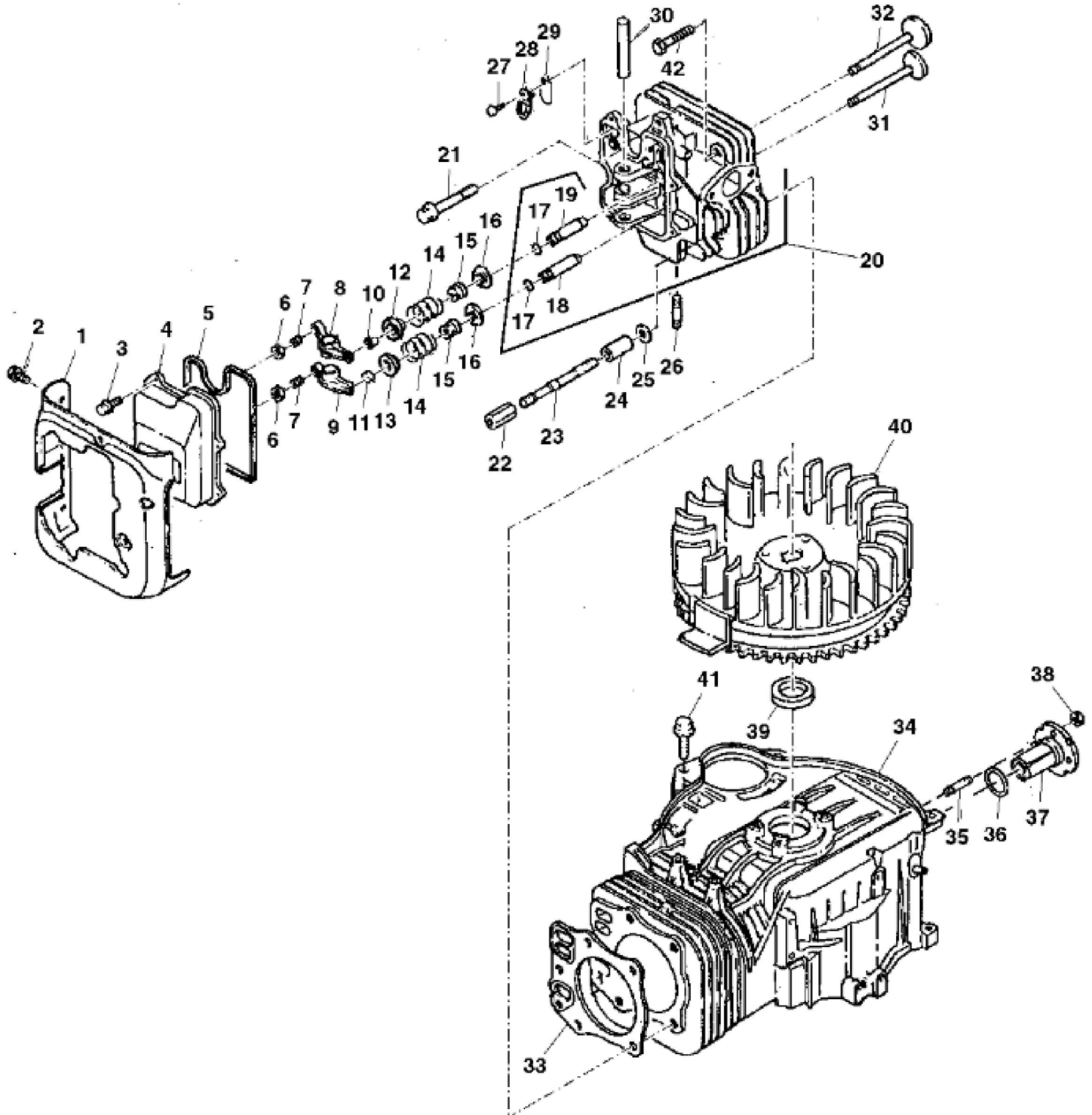
Hello dear friend!

Thank you very much for reading.

Enter the link into your browser.

The full manual is available for immediate download.

<https://www.ebooklibonline.com>



John Deere > Turf And Utility >TRACTOR, LAWN AND GARDEN >FC540V - TRACTOR, LAWN AND GARDEN >185 Lawn Tractor (with 38-Inch or 46-Inch Mower Deck) >20 ENGINE. AM117742 >ST552647 - CYLINDER HEAD, BLOCK AND FLYWHEEL

| KEY | PART NO. | PART NAME | QTY | Serial No. | REMARKS |
|-----|----------|---------------|-----|-------------|---|
| 1 | M115073 | SHROUD | 1 | | (NLA) (SUB FOR M70079) |
| 2 | 19M7774 | SCREW | AR | | M6 X 12, (SUB FOR M88491) |
| 3 | 19M7775 | SCREW | AR | | M6 X 16 |
| 4 | M70017 | COVER | 1 | | |
| 5 | M70018 | GASKET | 1 | | |
| 6 | M70039 | NUT | 2 | | (ORDER AM116037) |
| 7 | M70038 | SCREW | 2 | | (ORDER AM116037) |
| 8 | M70035 | ROCKER ARM | 1 | | INTAKE (SUB AM109213) |
| 9 | M70036 | ROCKER ARM | 1 | | EXHAUST (SUB AM109213) |
| 10 | M72323 | NUT | 1 | | (A), (SUB AM109294) (SUB FOR M70029) |
| 11 | M70030 | COVER | 1 | | (B), (SUB AM109295) |
| 12 | M72322 | WIRE | 1 | | (A), SPRING (SUB AM109294) |
| 13 | | RETAINER | 1 | | (B), (SUB AM109295) |
| 14 | | SPRING | 2 | | (A), (B), (SUB AM109294 AND AM109295) |
| 15 | M70034 | SEAL | 2 | | |
| 15 | M97214 | RING | 2 | | (A), (B) |
| 16 | M70033 | WIRE | 2 | | (A), (B), (SUB AM109294 AND AM109295) |
| 17 | M70010 | SNAP RING | 2 | | |
| 18 | M97251 | BRACKET | 1 | | (SUB FOR M70089) EXHAUST |
| 19 | M97251 | BRACKET | 1 | | (SUB FOR M70060) INTAKE |
| 20 | AM101670 | CYLINDER HEAD | 1 | ____-069081 | (SUB AM106265) |
| 20 | AM106265 | CYLINDER HEAD | 1 | 069082-____ | (SUB AM109087) (SUB FOR AM108955) |
| 20 | AM109087 | CYLINDER HEAD | 1 | | (ALSO ORDER M77751) (INCLUDES (2) M97216) |
| 21 | M77751 | BOLT | 1 | | SPARK PLUG SIDE |
| 22 | M70014 | NUT | 2 | | (NLA) |
| 23 | M70013 | STUD | 2 | | |
| 24 | M70015 | BUSHING | 2 | | |
| 25 | M70016 | WASHER | 2 | | |
| 26 | M70023 | STUD | 2 | ____-058710 | |
| 26 | MIU11876 | BOLT | 2 | 058711-____ | |
| 27 | M95848 | SCREW | 1 | | (SUB FOR PT12100) |
| 28 | M70021 | COVER | 1 | | (SUB AM109222) |
| 29 | M70020 | COVER | 1 | | (SUB AM109222) |
| 30 | M70037 | PIN | 1 | | (ORDER AM109213) |



Suggest:

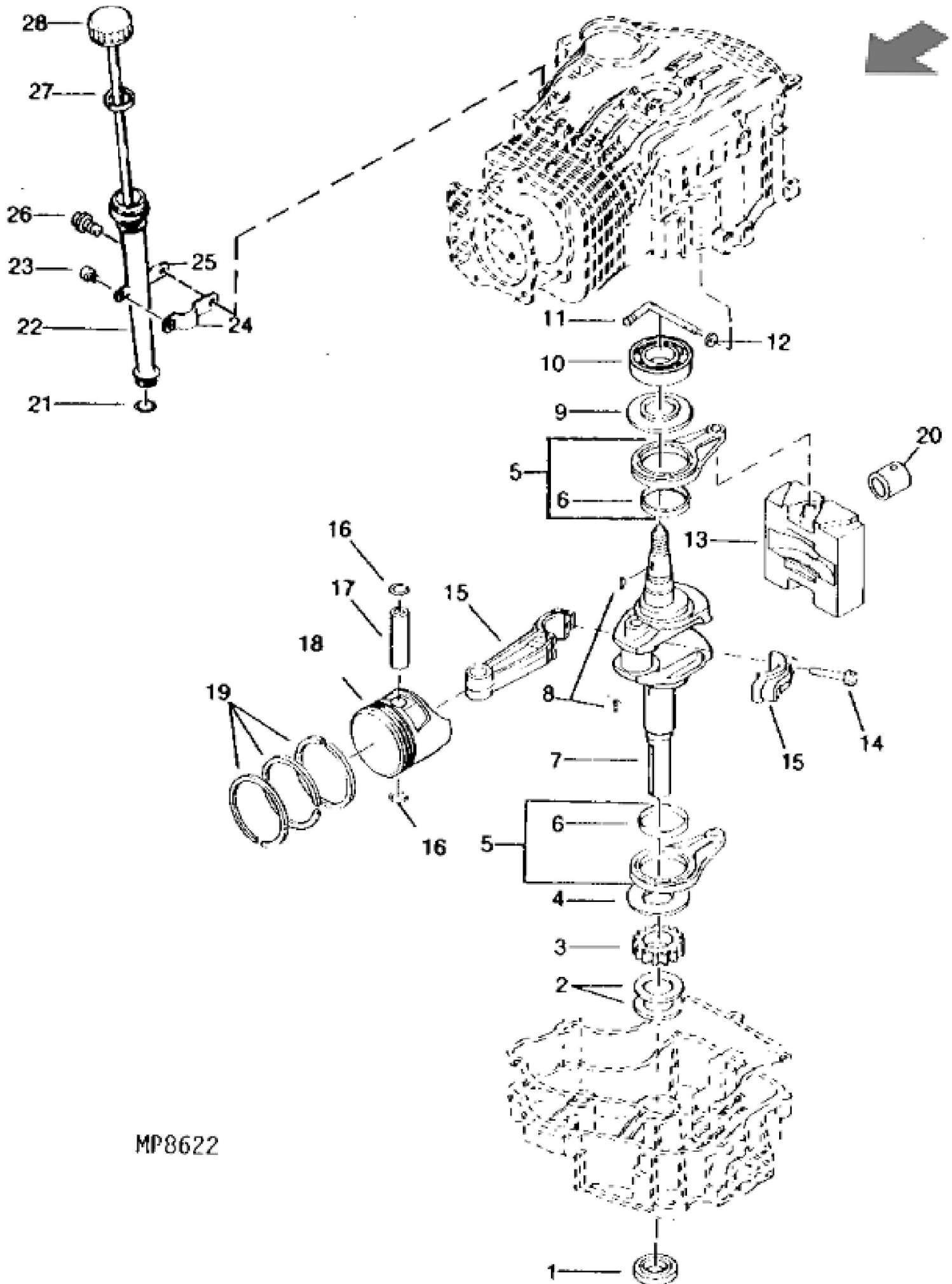
For more complete manuals. Please go to the home page.

<https://www.ebooklibonline.com>

If the above button click is invalid. Please download this document first, and then click the above link to download the complete manual.

Thank you so much for reading

| KEY | PART NO. | PART NAME | QTY | Serial No. | REMARKS |
|-----|----------|-----------------------------|-----|------------|---|
| 31 | | VALVE | 1 | | (B); SUB FOR M70027 |
| 32 | M97255 | VALVE | 1 | | (A); SUB FOR M70026 |
| 33 | M77752 | ENGINE CYLINDER HEAD GASKET | 1 | | HEAD (SUB FOR M70011) |
| 34 | AM101675 | CRANKCASE | 1 | | |
| 35 | M88447 | STUD | 4 | | |
| 36 | M70096 | O-RING | 1 | | |
| 37 | M70186 | SHAFT | 1 | | COUNTERWEIGHT SUPPORT (STEEL) |
| 38 | M70097 | NUT | 4 | | |
| 39 | M88451 | SEAL | 1 | | |
| 40 | AM102381 | FLYWHEEL | 1 | | |
| 41 | MIU12001 | BOLT | 2 | | (SUB FOR M115466) |
| 42 | M70012 | BOLT | 2 | | |
| .. | AM109213 | ARM KIT | 1 | | NLA; INCLUDES M70035, M70036 AND M70037 |
| .. | AM109294 | KIT | 1 | | INTAKE VALVE (INCLUDES PARTS MARKED (A)) (ENGINE MARKED FC540V-DS00, FC540V-ES00, FC540V-CS00, FC540V-BS00, FC540V-AS00) (SUB FOR AM109421) |
| .. | AM109295 | VALVE KIT | 1 | | EXHAUST VALVE (INCLUDES PARTS MARKED (B)) (ENGINE MARKED FC540V-DS00, FC540V-ES00, FC540V-CS00, FC540V-BS00, FC540V-AS00) (SUB FOR AM109420) |
| .. | AM109252 | ENGINE KIT | 1 | | NLA; SHROUD |
| .. | AM109222 | VALVE TRAIN KIT | 1 | | |



MP8622

<https://www.ebooklibonline.com>

Hello dear friend!

Thank you very much for reading.

Enter the link into your browser.

The full manual is available for immediate download.

<https://www.ebooklibonline.com>