

MP9041

John Deere > Turf And Utility >TRACTOR, LAWN AND GARDEN >FC420V - TRACTOR, LAWN AND GARDEN >175 Lawn Tractor (with 38-Inch Mower Deck) >20 ENGINE AM117741 >ST552313 - ENGINE AND SHORT BLOCK

KEY	PART NO.	PART NAME	QTY	Serial No.	REMARKS
1	AM104801	SHORT BLOCK ASSEMBLY	1	____-006515	(SUB AM128555)
1	AM128555	SHORT BLOCK ASSEMBLY	1	006516-028504	(SUB AM130363) (SUB FOR AM104203 OR AM109221)
1	AM107397	SHORT BLOCK ASSEMBLY	1	028505-____	(SUB AM130363)
1	AM130363	SHORT BLOCK ASSEMBLY	1		(SUB FOR AM104203, AM104801 OR AM107397)
..	AM103425	GASOLINE ENGINE	1	____-006515	COMPLETE (ENGINE MARKED FC420V-AS00) (SUB AM117741)
..	AM105201	GASOLINE ENGINE	1	006516-009053	COMPLETE (ENGINE MARKED FC420V-BS00) (SUB AM117741)
..	AM105820	GASOLINE ENGINE	1	009054-028504	COMPLETE (ENGINE MARKED FC420V-CS00) (SUB AM117741)
..	AM106110	GASOLINE ENGINE	1	028505-____	COMPLETE (ENGINE MARKED FC420V-DS00) (SUB AM117741)
..	AM115844	GASOLINE ENGINE	1		(ENGINE MARKED FC420V-ES00) (SUB AM117741)
..	AM117741	GASOLINE ENGINE	1		(SUB AM130363) (SUB FOR AM121100, AM121626, AM122327 OR AM128555) (ENGINE MARKED FC420V-FS00)
..	AM130362	GASKET KIT	1	____-028504	ENGINE, (SUB FOR AM104606, AM116356 OR AM124818)
..	AM130362	GASKET KIT	1	028505-____	ENGINE, (SUB FOR AM107398, AM116356 OR AM124818)

<https://www.ebooklibonline.com>

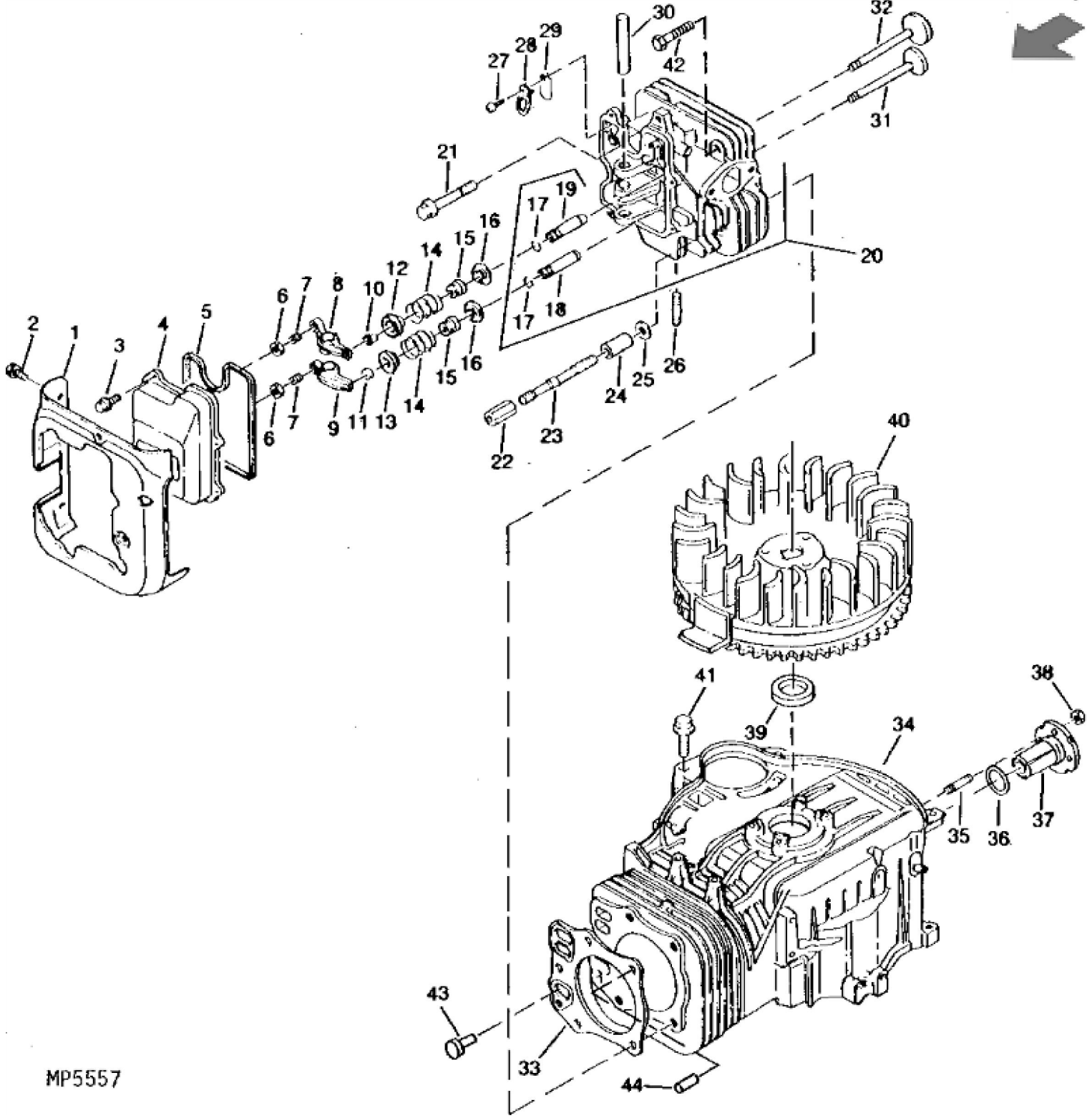
Hello dear friend!

Thank you very much for reading.

Enter the link into your browser.

The full manual is available for immediate download.

<https://www.ebooklibonline.com>



MP5557

John Deere > Turf And Utility >TRACTOR, LAWN AND GARDEN >FC420V - TRACTOR, LAWN AND GARDEN >175 Lawn Tractor (with 38-Inch Mower Deck) >20 ENGINE AM117741 >ST552314 - CYLINDER HEAD, BLOCK AND FLYWHEEL

KEY	PART NO.	PART NAME	QTY	Serial No.	REMARKS
1	SHROUD	1		(ORDER AM109252 KIT) (SUB FOR M74279)
2	19M7774	SCREW	AR		M6 X 12, (SUB FOR M88491)
3	19M7775	SCREW	AR		M6 X 16
4	M70017	COVER	1		
5	M70018	GASKET	1		
6	M70039	NUT	2		(ORDER AM116037)
7	M70038	SCREW	2		(ORDER AM116037)
8	M70035	ROCKER ARM	1		INTAKE, (SUB AM109213)
9	M70036	ROCKER ARM	1		EXHAUST, (SUB AM109213)
10	AM132412	RETAINER KIT	1		(C)
11	M70030	COVER	1		(D)
12	M72322	WIRE	1		(C); RETAINER SPRING
13	M70032	WIRE	1		(D); RETAINER SPRING
14	M97073	SPRING	2		(C), (D), (SUB FOR M70028)
15	M70034	SEAL	2		
15	M97214	RING	2		(C) (D)
16	M70033	WIRE	2		(C), (D)
17	M70010	SNAP RING	2		
18	M74159	GUIDE	1		EXHAUST (NLA)
19	M74159	GUIDE	1		INTAKE (NLA)
19	M97216	BRACKET	2		INTAKE AND EXHAUST (USED WITHOUT SNAP RINGS)
20	AM109218	CYLINDER HEAD	1		(INCLUDES (2) M97216) (SUB FOR AM104548 OR AM108954)
21	M70012	BOLT	2		
22	M74162	NUT	2		NLA
23	M70013	STUD	2	____-006515	NLA
23	M77140	STUD	2	006516-____	NLA
24	M74164	BUSHING	2		NLA
25	M70016	WASHER	2		
26	M70023	STUD	2	____-006515	
26	MIU11876	BOLT	2	006516-____	
27	M95848	SCREW	1		(SUB FOR PT12100)
28	M70021	COVER	1		(SUB AM109222)
29	M70020	COVER	1		(SUB AM109222)



Suggest:

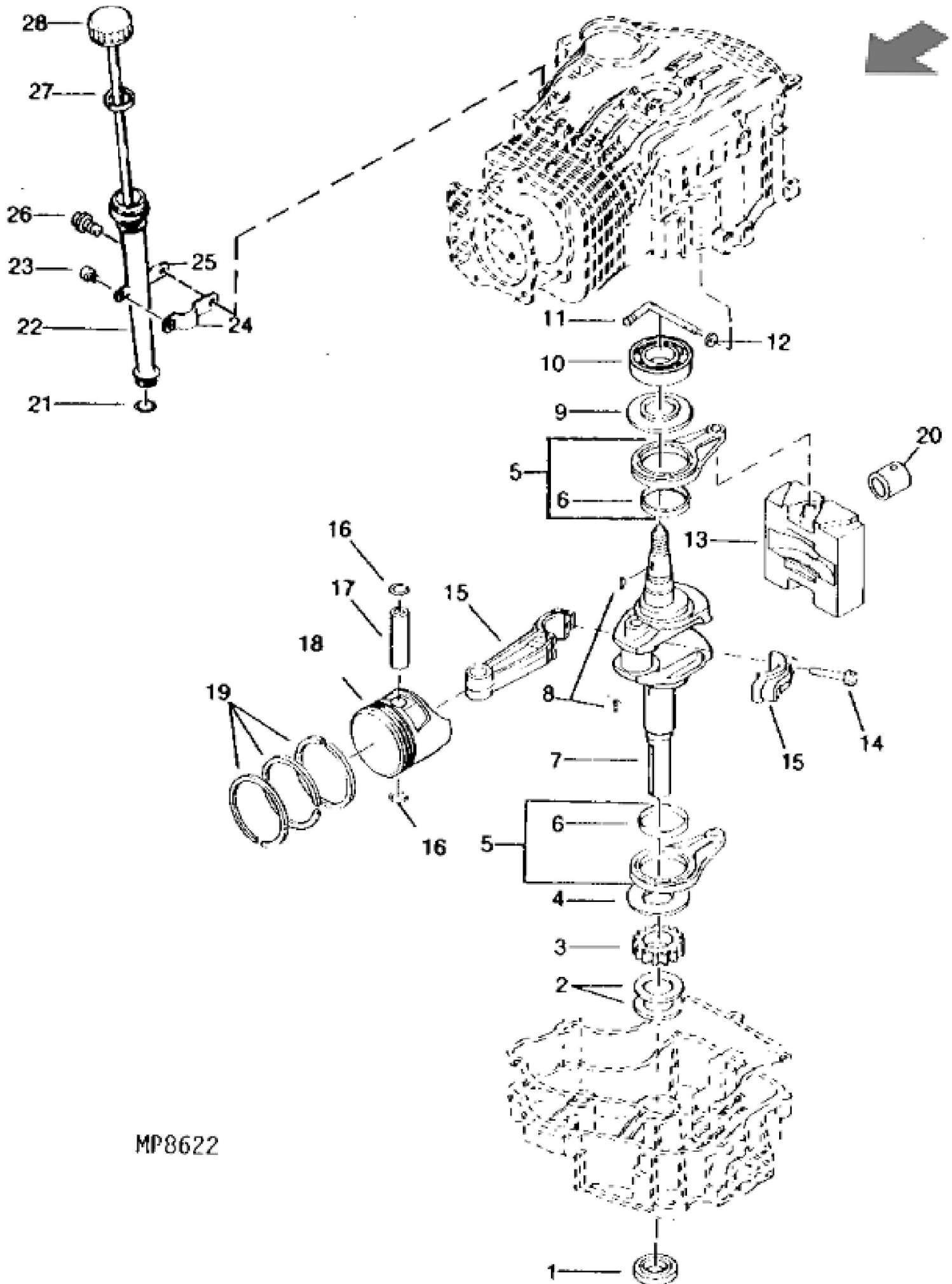
For more complete manuals. Please go to the home page.

<https://www.ebooklibonline.com>

If the above button click is invalid. Please download this document first, and then click the above link to download the complete manual.

Thank you so much for reading

KEY	PART NO.	PART NAME	QTY	Serial No.	REMARKS
30	M70037	PIN	1		(ORDER AM109213)
31	M97204	VALVE	1		(D), (SUB FOR M74167)
32	M97203	VALVE	1		(C), (SUB FOR M74166)
33	M74160	RING	1		HEAD
34	AM109210	CRANKCASE	1		(SUB FOR AM104554)
35	M88447	STUD	4		
36	M70096	O-RING	1		
37	M70186	SHAFT	1		COUNTERWEIGHT SUPPORT (STEEL)
38	M70097	NUT	4		
39	M88451	SEAL	1		
40	AM104558	FLYWHEEL	1		NLA
41	MIU12001	BOLT	2		(SUB FOR M115466)
42	M74161	PIN	1		
43	M74249	VALVE	1		NLA; CHECK
44	M74163	PIN	2		
..	AM109213	ARM KIT	1		ROCKER SHAFT
..	AM109214	KIT	1		NLA; INTAKE (INCLUDES PARTS MARKED (C)) (ENGINE MARKED FC420V-ES00, FC420V-FS00, FC420V-CS00, FC420V-DS00)
..	AM109215	VALVE KIT	1		NLA; EXHAUST (INCLUDES PARTS MARKED (D)) (ENGINE MARKED FC420V-ES00, FC420V-FS00, FC420V-DS00, FC420V-CS00)
..	AM109252	ENGINE KIT	1		NLA; SHROUD
..	AM109222	VALVE TRAIN KIT	1		



MP8622

<https://www.ebooklibonline.com>

Hello dear friend!

Thank you very much for reading.

Enter the link into your browser.

The full manual is available for immediate download.

<https://www.ebooklibonline.com>