

MP9041

John Deere > Turf And Utility >TRACTOR, LAWN AND GARDEN >170 - TRACTOR, LAWN AND GARDEN >170 Lawn Tractor (with 38-Inch Mower Deck) >20 ENGINE >ST554602 - ENGINE AND SHORT BLOCK

KEY	PART NO.	PART NAME	QTY	Serial No.	REMARKS
1	AM104801	SHORT BLOCK ASSEMBLY	1	____-006515	(SUB AM128555)
1	AM128555	SHORT BLOCK ASSEMBLY	1	006516-028504	(SUB AM130363), (SUB FOR AM104203 OR AM109221)
1	AM107397	SHORT BLOCK ASSEMBLY	1	028505-____	(SUB AM130363)
1	AM130363	SHORT BLOCK ASSEMBLY	1		(SUB FOR AM104203, AM104801 OR AM107397)
..	AM103425	GASOLINE ENGINE	1	____-006515	COMPLETE (FC420V-AS00), (SUB AM117741)
..	AM105201	GASOLINE ENGINE	1	006516-009053	COMPLETE (FC420V-BS00), (SUB AM117741)
..	AM105820	GASOLINE ENGINE	1	009054-028504	COMPLETE (FC420V-CS00), (SUB AM117741)
..	AM106110	GASOLINE ENGINE	1	028505-____	COMPLETE (FC420V-DS00), (SUB AM117741)
..	AM115844	GASOLINE ENGINE	1		(FC420V-ES00), (SUB AM117741)
..	AM117741	GASOLINE ENGINE	1		(SUB AM130363), (SUB FOR AM121100, AM121626, AM122327 OR AM128555), (FC420V-FS00)
..	AM130362	GASKET KIT	1	____-028504	ENGINE, (SUB FOR AM104606, AM116356 OR AM124818)
..	AM130362	GASKET KIT	1	028505-____	ENGINE, (SUB FOR AM107398, AM116356 OR AM124818)

**<https://www.ebooklibonline.com>**

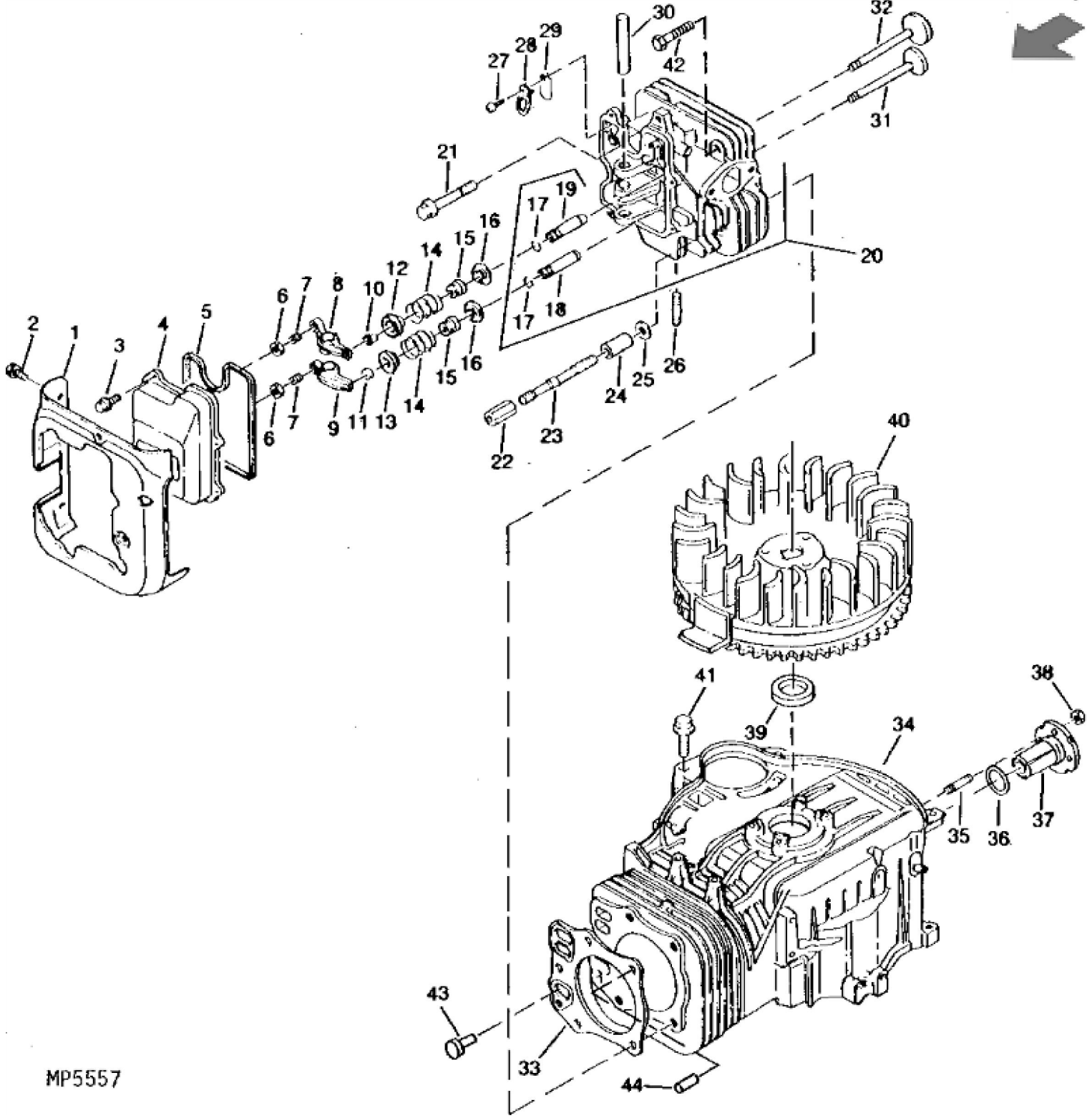
Hello dear friend!

Thank you very much for reading.

Enter the link into your browser.

The full manual is available for immediate download.

**<https://www.ebooklibonline.com>**



MP5557

John Deere > Turf And Utility >TRACTOR, LAWN AND GARDEN >170 - TRACTOR, LAWN AND GARDEN >170 Lawn Tractor (with 38-Inch Mower Deck) >20 ENGINE >ST554603 - CYLINDER HEAD, BLOCK AND FLYWHEEL

KEY	PART NO.	PART NAME	QTY	Serial No.	REMARKS
1	.....	SHROUD	1		(ORDER AM109252 KIT), (SUB FOR M74279)
2	19M7774	SCREW	AR		M6 X 12, (SUB FOR M88491)
3	19M7775	SCREW	AR		M6 X 16
4	M70017	COVER	1		
5	M70018	GASKET	1		
6	M70039	NUT	2		(ORDER AM116037)
7	M70038	SCREW	2		(ORDER AM116037)
8	M70035	ROCKER ARM	1		INTAKE, (SUB AM109213)
9	M70036	ROCKER ARM	1		EXHAUST, (SUB AM109213)
10	AM132412	RETAINER KIT	1		(C)
11	M70030	COVER	1		(D)
12	M72322	WIRE	1		(C); RETAINER SPRING
13	M70032	WIRE	1		(D); RETAINER SPRING
14	M97073	SPRING	2		(C), (D), (SUB FOR M70028)
15	M70034	SEAL	2		
15	M97214	RING	2		(C), (D)
16	M70033	WIRE	2		(C), (D)
17	M70010	SNAP RING	2		
18	M74159	GUIDE	1		EXHAUST (NLA)
19	M74159	GUIDE	1		INTAKE (NLA)
19	M97216	BRACKET	2		INTAKE AND EXHAUST (USED WITHOUT SNAP RINGS)
20	AM109218	CYLINDER HEAD	1		(INCLUDES (2) M97216), (SUB FOR AM104548 OR AM108954)
21	M70012	BOLT	2		
22	M74162	NUT	2		NLA
23	M70013	STUD	2	____-006515	
23	M77140	STUD	2	006516-____	
24	M74164	BUSHING	2		NLA
25	M70016	WASHER	2		
26	M70023	STUD	2	____-006515	
26	MIU11876	BOLT	2	006516-____	
27	M95848	SCREW	1		(SUB FOR PT12100)
28	M70021	COVER	1		(SUB AM109222)
29	M70020	COVER	1		(SUB AM109222)



**Suggest:**

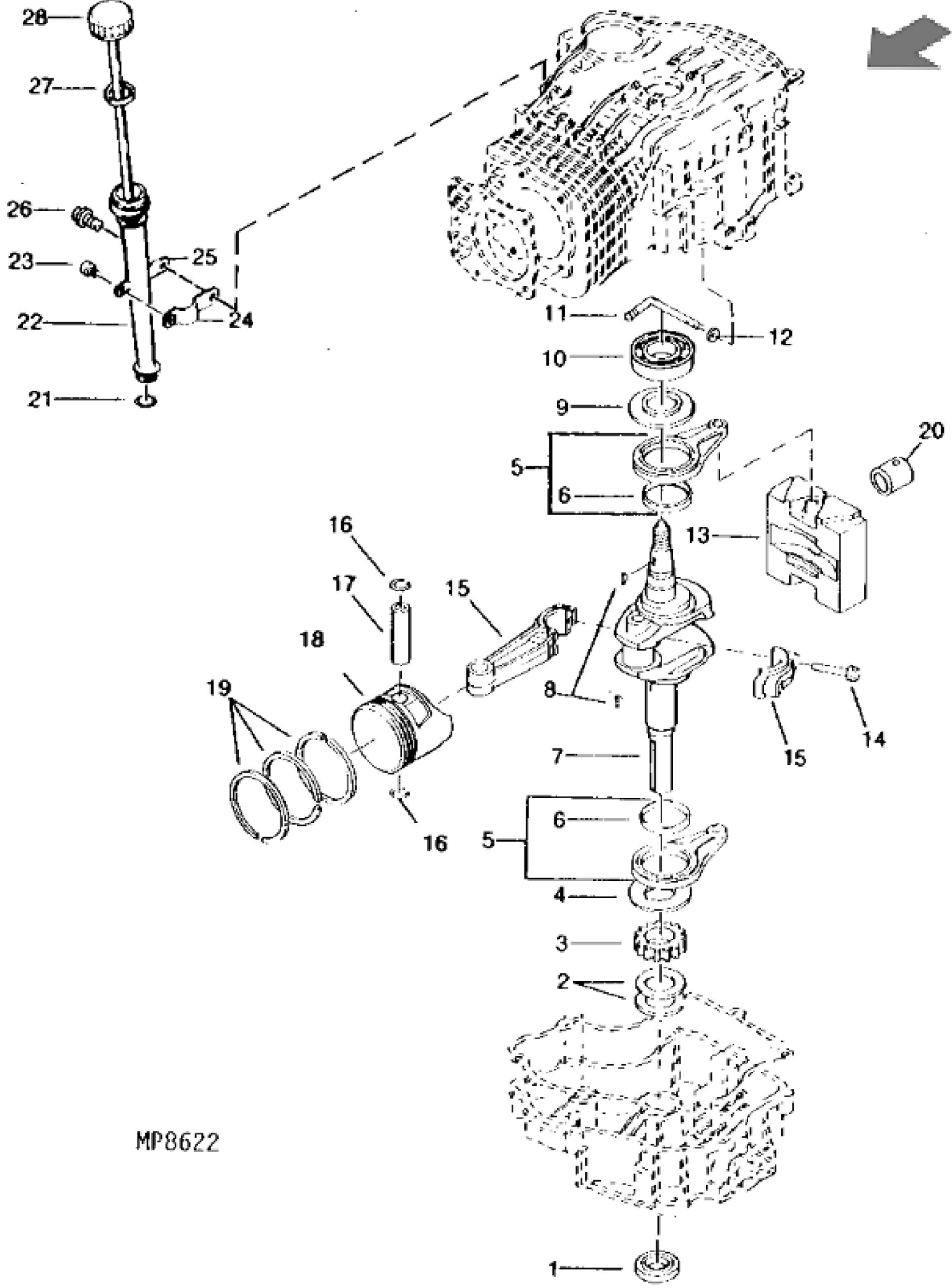
**For more complete manuals. Please go to the home page.**

**<https://www.ebooklibonline.com>**

**If the above button click is invalid. Please download this document first, and then click the above link to download the complete manual.**

**Thank you so much for reading**

KEY	PART NO.	PART NAME	QTY	Serial No.	REMARKS
30	M70037	PIN	1		(ORDER AM109213)
31	M97204	VALVE	1		(D), (SUB FOR M74167)
32	M97203	VALVE	1		(C), (SUB FOR M74166)
33	M74160	RING	1		HEAD
34	AM109210	CRANKCASE	1		(SUB FOR AM104554)
35	M88447	STUD	4		
36	M70096	O-RING	1		
37	M70186	SHAFT	1		COUNTERWEIGHT SUPPORT (STEEL)
38	M70097	NUT	4		
39	M88451	SEAL	1		
40	AM104558	FLYWHEEL	1		NLA
41	MIU12001	BOLT	2		(SUB FOR M115466)
42	M74161	PIN	1		
43	M74249	VALVE	1		NLA; CHECK
44	M74163	PIN	2		
..	AM109213	ARM KIT	1		ROCKER SHAFT
..	AM109214	KIT	1		NLA; INTAKE (INCLUDES PARTS MARKED (C)), (FC420V-ES00, -FS00, -CS00, -DS00)
..	AM109215	VALVE KIT	1		NLA; EXHAUST (INCLUDES PARTS MARKED (D)), (FC420V-ES00, -FS00, -DS00, -CS00)
..	AM109252	ENGINE KIT	1		NLA; SHROUD
..	AM109222	VALVE TRAIN KIT	1		



MP8622

**<https://www.ebooklibonline.com>**

Hello dear friend!

Thank you very much for reading.

Enter the link into your browser.

The full manual is available for immediate download.

**<https://www.ebooklibonline.com>**