

MP31875

John Deere > Turf And Utility >TRACTOR >110TLB - TRACTOR >110 Tractor Loader Backhoe (Worldwide Edition) >20 ENGINE 4TNE84-EJTLB, 4TNV88-MJTLB >ST151417 - CYLINDER BLOCK AND MAIN BEARINGS (4TNE84-EJTLB) (- 311032)

KEY	PART NO.	PART NAME	QTY	REMARKS
1	M801186	BOLT	18	
2	M806505	ENGINE CYLINDER HEAD GASKET	1	
3	AM879992	CYLINDER BLOCK	1	
4	CH10335	PLUG	2	
5	EPC200680	PLUG	1	
6	M802255	PIN	2	
7	DRAIN PLUG	1	(ORDER AM879992)
8	CH18079	SPRING PIN	2	
9	30M7023	PLUG	8	
10	15H562	PIPE PLUG	1	1"
11	MIU800573	CAMSHAFT	1	(SUB FOR M800977)
12	M800978	SHAFT	1	
13	CH19101	BOLT	2	
14	M87801	PLUG	2	
15	M800974	PIPE	2	
16	MIA880555	BEARING	2	(SUB FOR AM875373)
17	AM875371	BEARING KIT	4	(STD)
17	MIA880550	BEARING	4	.25MM (.010") , US, (SUB FOR AM875374)
18	BEARING CAP	3	(ORDER AM879992)
19	M801189	BOLT	8	
20	BEARING CAP	1	(ORDER AM879992)
21	M806938	PLUG	1	
22	CH10554	PACKING	4	(SUB FOR R180245)
23	19M7864	SCREW	2	M8 X 12, (HS, HEAD MARKED 10.9)
24	T113961	PLUG	1	
25	AM100800	DRAIN VALVE	1	
26	MIA882698	SHORT BLOCK ASSEMBLY	1	Not Illustrated; SUB FOR AM880565
..	AM131995	DIESEL ENGINE	1	(MARKED 4TNE84-EJTLB), (SUB AM880565)

<https://www.ebooklibonline.com>

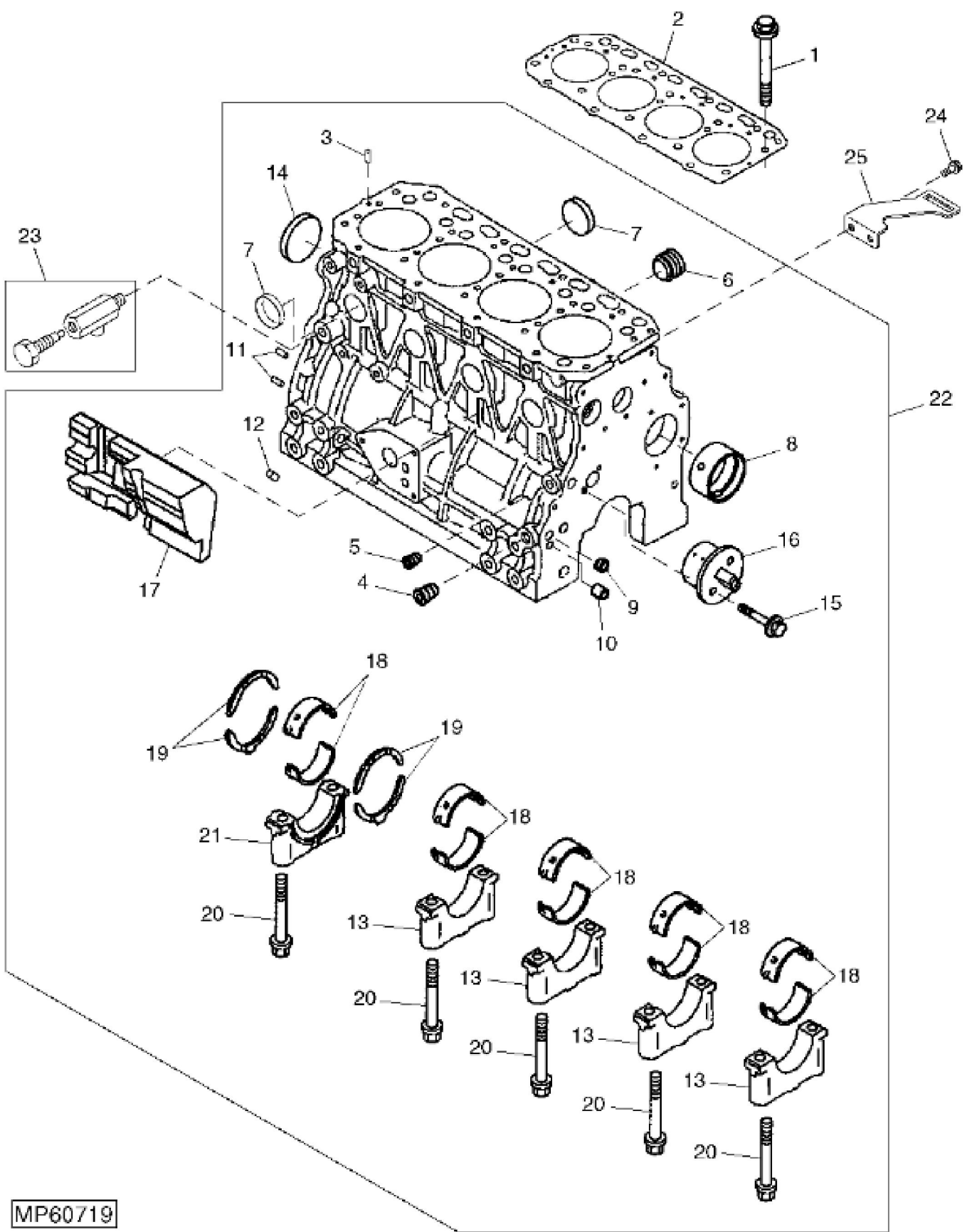
Hello dear friend!

Thank you very much for reading.

Enter the link into your browser.

The full manual is available for immediate download.

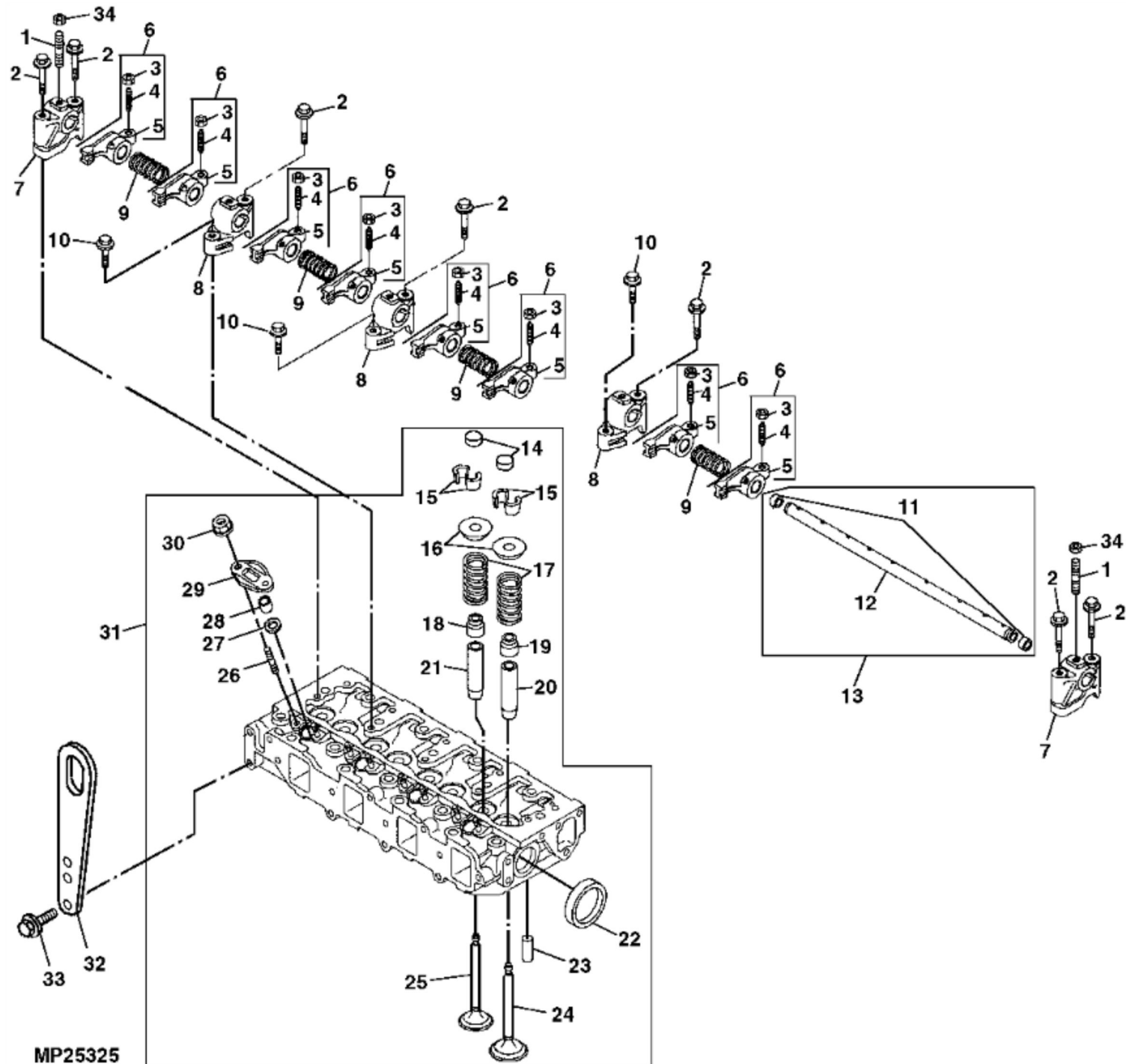
<https://www.ebooklibonline.com>



MP60719

John Deere > Turf And Utility >TRACTOR >110TLB - TRACTOR >110 Tractor Loader Backhoe (Worldwide Edition) >20 ENGINE 4TNE84-EJTLB, 4TNV88-MJTLB >ST151418 - CYLINDER BLOCK AND MAIN BEARINGS (4TNV88-MJTLB) (311033 - 711000)

KEY	PART NO.	PART NAME	QTY	REMARKS
1	M801186	BOLT	18	
2	M806518	ENGINE CYLINDER HEAD GASKET	1	
3	CH18079	SPRING PIN	2	
4	CH10335	PLUG	2	
5	CH10314	PLUG	1	
6	15H562	PIPE PLUG	1	1"
7	30M7023	PLUG	8	
8	MIU800573	CAMSHAFT	1	(SUB FOR M800977)
9	M87801	PLUG	2	
10	M800974	PIPE	2	
11	M802255	PIN	4	
12	M811307	PLUG	1	
13	BEARING CAP	4	(ORDER AM882032)
14	DRAIN PLUG	1	(ORDER AM882032)
15	19M8317	SCREW	3	M8 X 40
16	M811055	SHAFT	1	
17	M811084	SPACER	1	
18	AM875371	BEARING KIT	5	MAIN
18	MIA880550	BEARING	5	.25MM (.010") , US, (SUB FOR AM875374)
19	MIA880555	BEARING	2	(SUB FOR AM875373)
20	M801189	BOLT	10	
21	BEARING CAP	1	BASE, (ORDER AM882032)
22	AM882032	CYLINDER BLOCK	1	
23	AM100800	DRAIN VALVE	1	
24	19M7783	SCREW	2	M10 X 16, (HS, HEAD MARKED 10.9)
25	LVU16568	BRACKET	1	LOWER AFT LH SIDE OF ENG, (SUB FOR LVU12202)
..	AM133224	DIESEL ENGINE	1	(MARKED 4TNV88-MJTLB) (SUB AM882034)
..	AM882034	SHORT BLOCK ASSEMBLY	1	NLA; ORDER MIA882694(INCLUDES AM882032 AND M811307)
..	MIA882694	SHORT BLOCK ASSEMBLY	1	



MP25325



Suggest:

For more complete manuals. Please go to the home page.

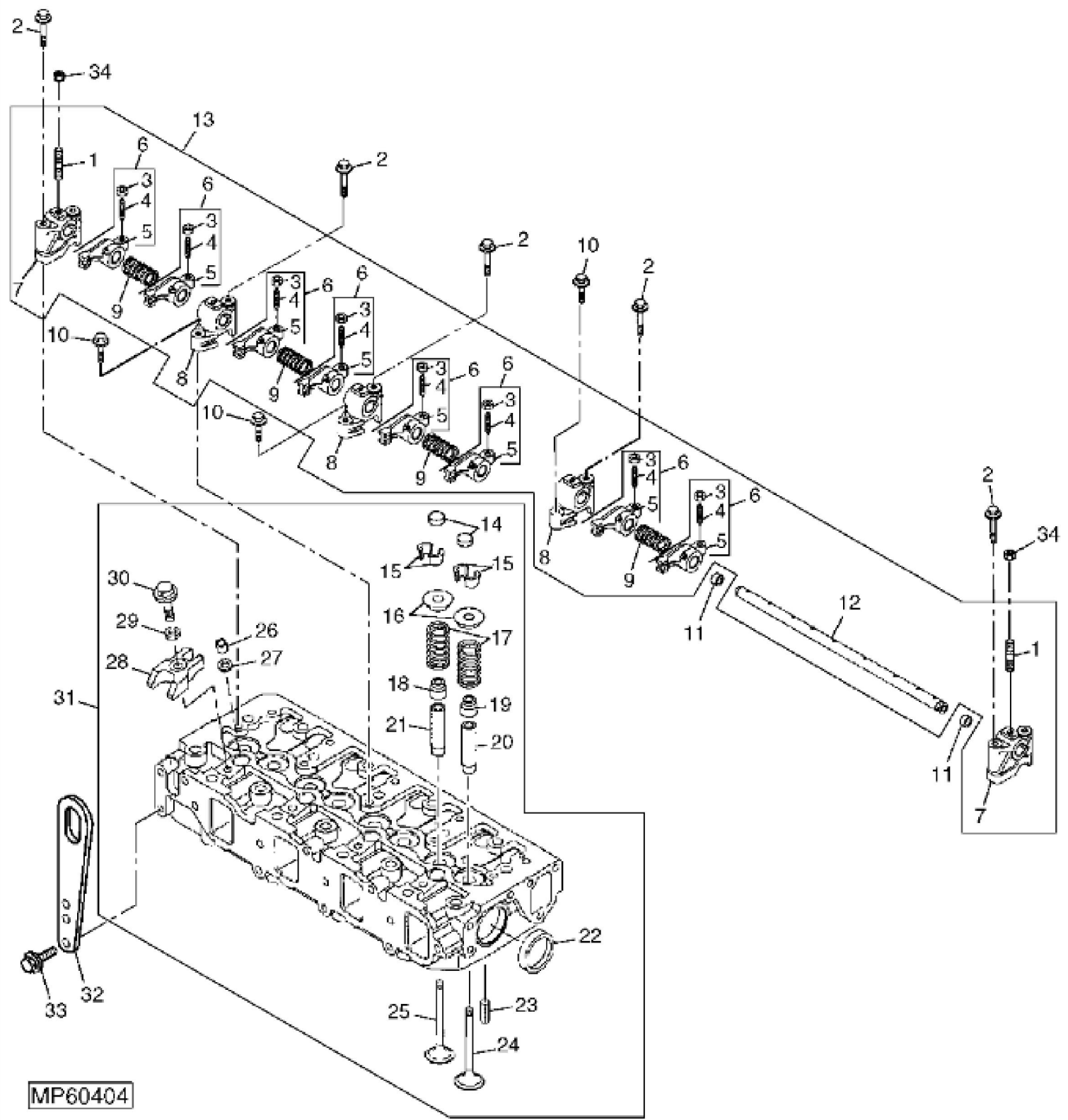
<https://www.ebooklibonline.com>

If the above button click is invalid. Please download this document first, and then click the above link to download the complete manual.

Thank you so much for reading

John Deere > Turf And Utility >TRACTOR >110TLB - TRACTOR >110 Tractor Loader Backhoe (Worldwide Edition) >20 ENGINE 4TNE84-EJTLB, 4TNV88-MJTLB >ST151419 - CYLINDER HEAD, VALVES AND
ROCKER ARMS (4TNE84-EJTLB) (- 311032)

KEY	PART NO.	PART NAME	QTY	REMARKS
1	M801024	STUD	3	
2	19M7800	SCREW	7	M8 X 50, (HS, HEAD MARKED 10.9)
3	M801028	NUT	1	
4	M801027	SCREW	1	
5	ROCKER ARM	1	(ORDER AM875383)
6	AM875383	ROCKER ARM	8	
7	M801022	SUPPORT	2	ROCKER ARM
8	M801023	SUPPORT	3	ROCKER ARM
9	M801025	SPRING	4	
10	19M7867	SCREW	3	M8 X 25, (HS, HEAD MARKED 10.9)
11	M800002	PLUG	2	
12	ROCKER ARM SHAFT	1	(ORDER AM875382)
13	AM875382	SHAFT	1	ROCKER ARM
14	M801224	CAP	8	
15	AM878862	RETAINER KIT	4	(2 PER PKG), (SUB FOR CH10067)
16	M801223	RETAINER	8	SPRING
17	M801222	SPRING	8	VALVE
18	T110650	SEAL	4	EXHAUST
19	CH10450	SEAL	4	INTAKE
20	M801227	GUIDE	4	INTAKE
21	M801228	GUIDE	4	EXHAUST
22	CH16751	PLUG	2	
23	CH18079	SPRING PIN	2	
24	M801220	INTAKE VALVE	4	
25	MIU800494	EXHAUST VALVE	4	(SUB FOR M811796)
26	M801219	BOLT	8	
27	M801017	VALVE SEAT	4	
28	M801016	SEAL	4	
29	M801018	RETAINER	4	
30	14M7303	FLANGE NUT	8	M6
31	AM879737	CYLINDER HEAD	1	
32	AT211695	ADJUSTING STRAP	2	ENGINE LIFT
33	19M7865	SCREW	4	M8 X 16, (HS, HEAD MARKED 10.9)
34	14M7273	NUT	3	M8



MP60404

<https://www.ebooklibonline.com>

Hello dear friend!

Thank you very much for reading.

Enter the link into your browser.

The full manual is available for immediate download.

<https://www.ebooklibonline.com>