

PU05786

KEY	PART NO.	PART NAME	QTY	Serial No.	REMARKS	
1	MIA12460	GASOLINE ENGINE	1		MARKED 401577-0135-B1; ORDER MIA12610	
1	MIA12610	GASOLINE ENGINE	1	____-100000	MARKED 40R577-0005-H1	
1	MIA12851	GASOLINE ENGINE	1	100001-700000	MARKED 40R577-0011-H1	
1	MIA13103	GASOLINE ENGINE	1	700001-800000	MARKED 40R577-0014-H1; ORDER AUC10153	
1	AUC10153	GASOLINE ENGINE	1	800001-____	MARKED 40R577-0016-H1	

**<https://www.ebooklibonline.com>**

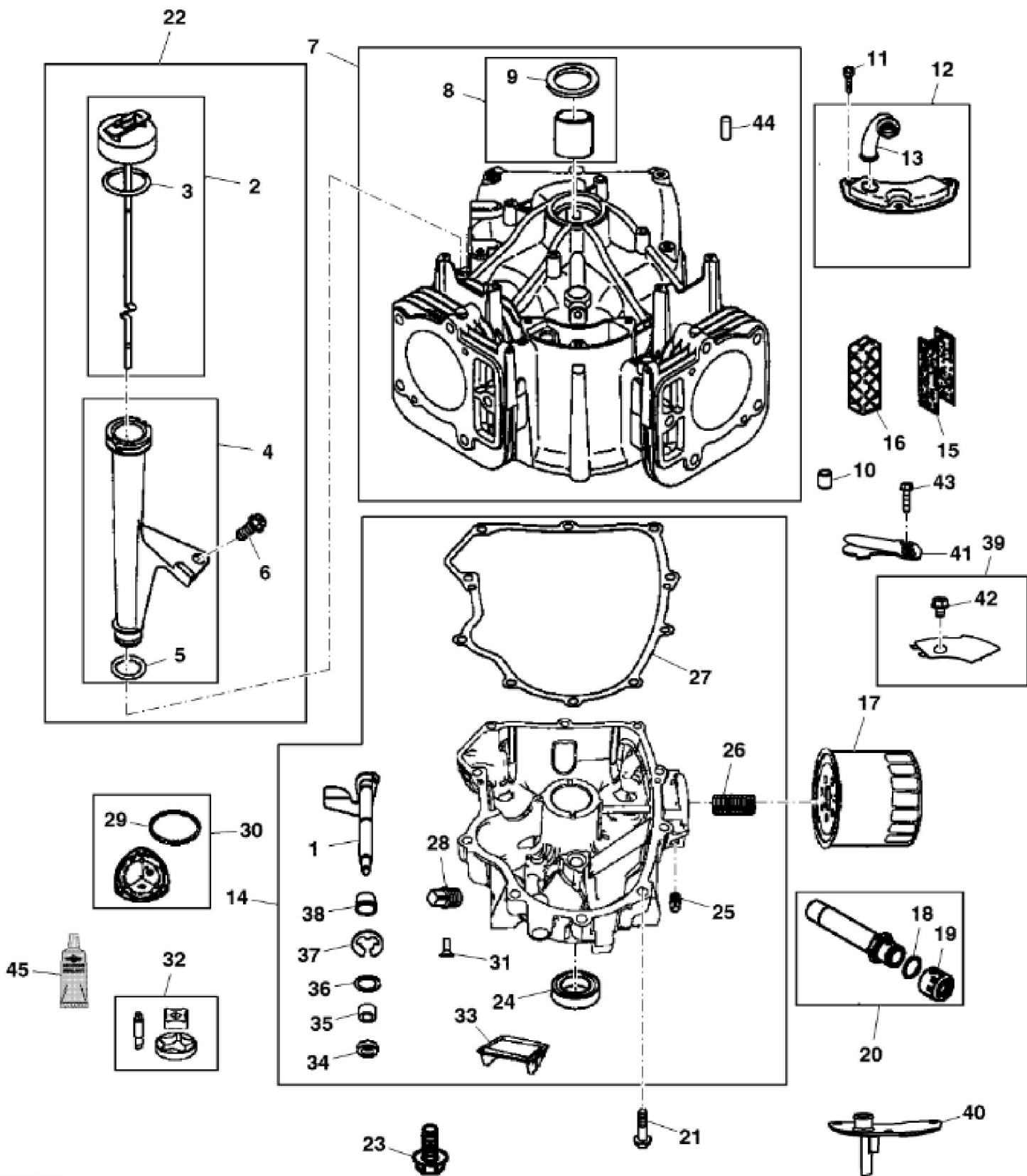
Hello dear friend!

Thank you very much for reading.

Enter the link into your browser.

The full manual is available for immediate download.

**<https://www.ebooklibonline.com>**



GX309412

KEY	PART NO.	PART NAME	QTY	Serial No.	REMARKS
1	LG691045	CRANK	1		Governor
2	LG691036	DIPSTICK	1		
3	LG691031	O-RING	1		
4	LG691037	OIL TUBE	1		
5	LG691032	O-RING	1		
6	M153266	SCREW	1		
7	MIA12493	CYLINDER BLOCK	1		ORDER MIA13087; ALSO ORDER MIA13077, MIU14443, MIU14444, MIU14445, MIU14464 AND MIU14448
7	MIA13087	CYLINDER	1	____-700000	INCLUDES (6) LG690959
7	MIA13208	CYLINDER	1	700001-____	
8	MIA11778	SEAL KIT	1		
9	LG391086S	SEAL	1		
10	LG690959	DOWEL PIN	6		
11	LG691108	SCREW	3		
12	MIA10872	BREATHER	1		INCLUDES MIU11280 AND LG690937
12	LG690937	GASKET	1		Breather
13	MIU14443	TUBE	1		SUB FOR MIU11280
14	MIA11584	RESERVOIR	1	____-700000	INCLUDES MIA11464, MIU12143 AND LG692125
14	MIA13209	RESERVOIR	1	700001-____	
15	LG690957	RETAINER	1		
16	MIU11502	BREATHER	1		
17	AM125424	OIL FILTER	1		
18	T77932	O-RING	1		
19	M144897	CAP	1		
20	AM131611	KIT	1		Oil Drain
21	M142896	SCREW	10		
22	UC11104	DIPSTICK	1		SUB FOR LG499602; Assembly
23	GX24210	SCREW	4		Engine Mounting
24	MIU11958	SEAL	1		Oil
25	15H638	PIPE PLUG	1		1/8"
26	LG690954	THREADED NIPPLE	1		
27	MIU14436	GASKET	1	____-700000	SUB FOR MIU13979
27	.....	GASKET	1	700001-____	MF PM37469; Crankcase
28	15H623	PIPE PLUG	1		3/8"
29	MIU12153	SEAL	1		



**Suggest:**

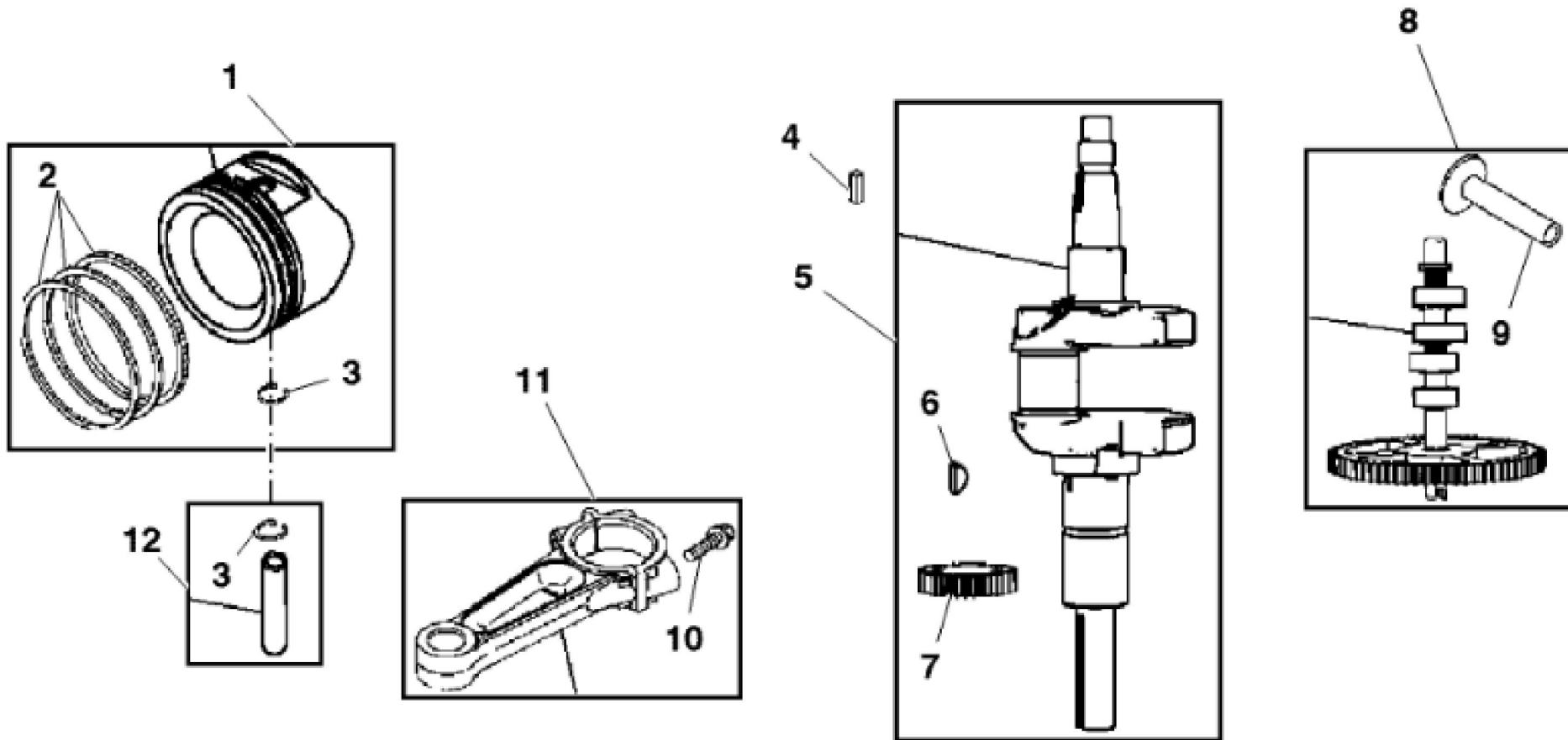
**For more complete manuals. Please go to the home page.**

**<https://www.ebooklibonline.com>**

**If the above button click is invalid. Please download this document first, and then click the above link to download the complete manual.**

**Thank you so much for reading**

KEY	PART NO.	PART NAME	QTY	Serial No.	REMARKS
30	MIA11464	COVER	1		
31	MIU12142	SCREW	3		
32	MIU12143	OIL PUMP	1		
33	MIU12140	SCREEN	1		
34	MIU11284	SEAL	1		Governor Shaft
35	MIU12503	BUSHING	1		
36	M142280	WASHER	1		
37	M142286	RETAINER	2		
38	M142282	BUSHING	2		
39	MIA13077	PLATE	1		
40	MIU14444	COVER	1		Breather
41	MIU14445	VALVE	1		Breather
42	MIU14464	SCREW	1		
43	MIU14448	SCREW	1		
44	UC12131	PIN	1	700001-_____	
45	PM37469	LIQUID GASKET	AR		
46	LG692125	CAP SCREW	1		(Not Illustrated)



GX295671

**<https://www.ebooklibonline.com>**

Hello dear friend!

Thank you very much for reading.

Enter the link into your browser.

The full manual is available for immediate download.

**<https://www.ebooklibonline.com>**