

PY53435

KEY	PART NO.	PART NAME	QTY	REMARKS	
1	FGV22032300	GASKET	1		
2	FGV41762034	SCREW	9		
3	FGV11772003	FILLER CAP	1		
4	FGV41772080	PLUG	3		
5	FGV21332012	ELBOW FITTING	1		
6	FGV21772084	PLUG	1		
7	FGV20132389	COVER	1		
8	FGV22032176	GASKET	1		

<https://www.ebooklibonline.com>

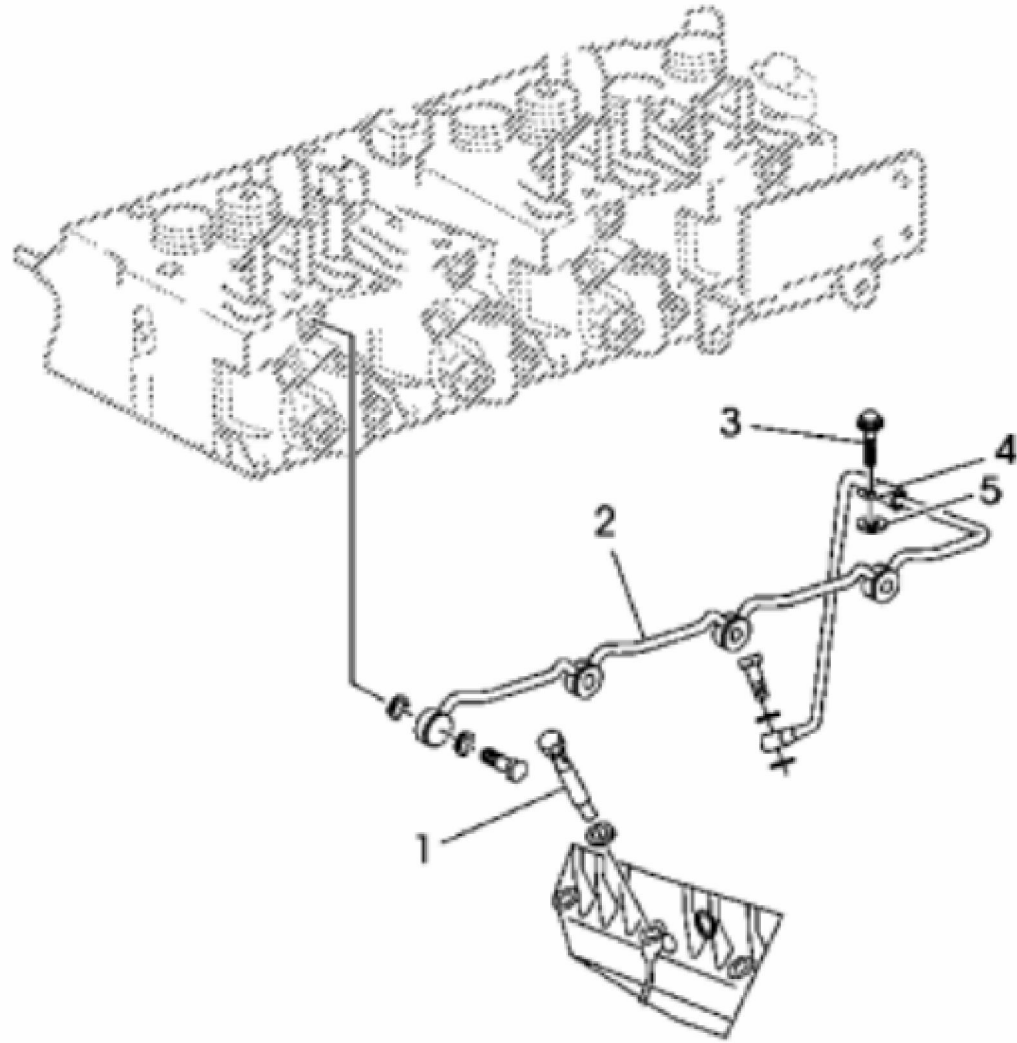
Hello dear friend!

Thank you very much for reading.

Enter the link into your browser.

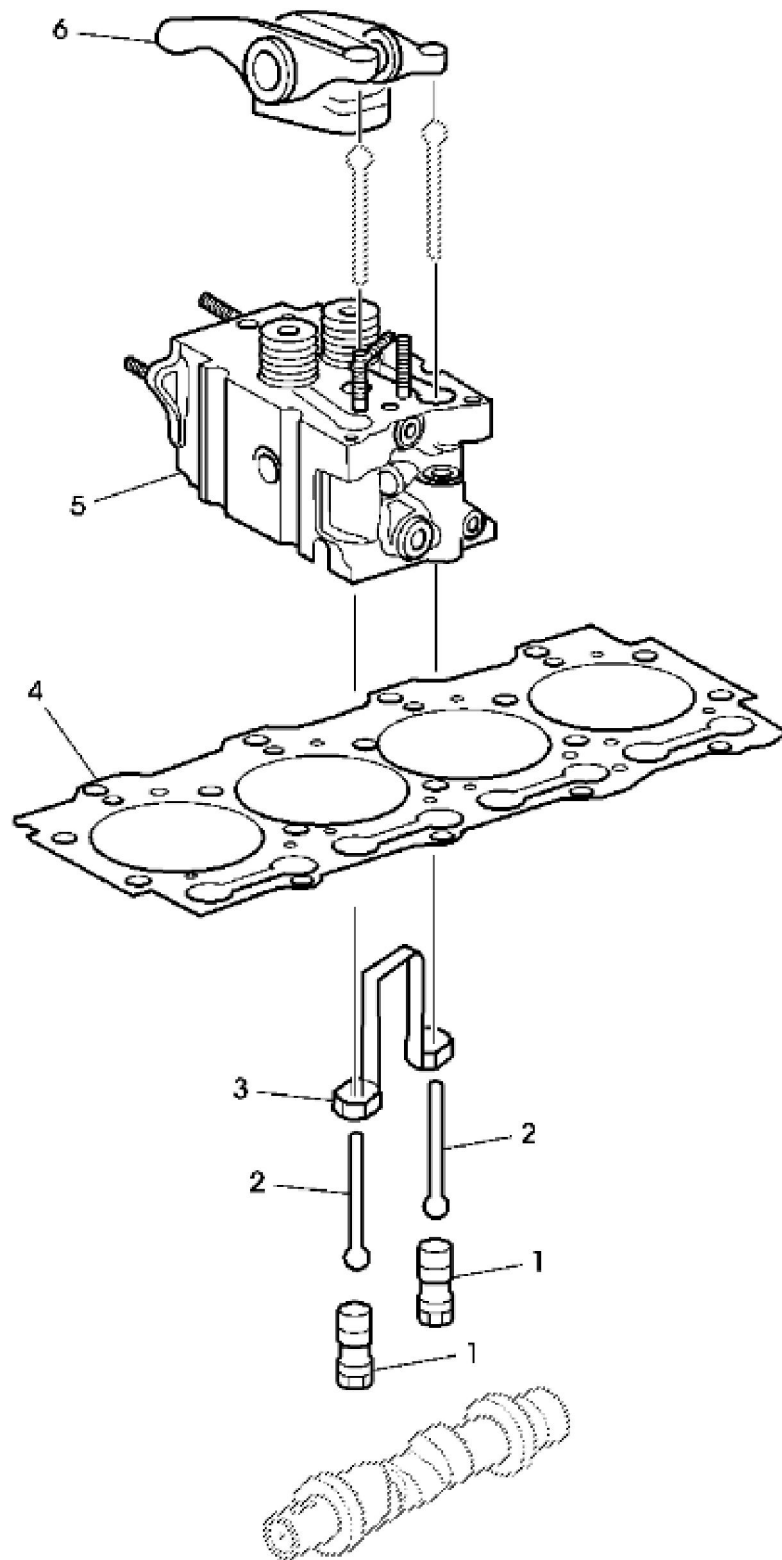
The full manual is available for immediate download.

<https://www.ebooklibonline.com>



PY53444

KEY	PART NO.	PART NAME	QTY	REMARKS	
1	FGV21320036	UNION FITTING	1		
2	FGV21282583	PIPE	1		
3	FGV41901102	SCREW	1		
4	FGV21612062	CLAMP	1		
5	FGV22030455	GASKET	1		



PY53433



Suggest:

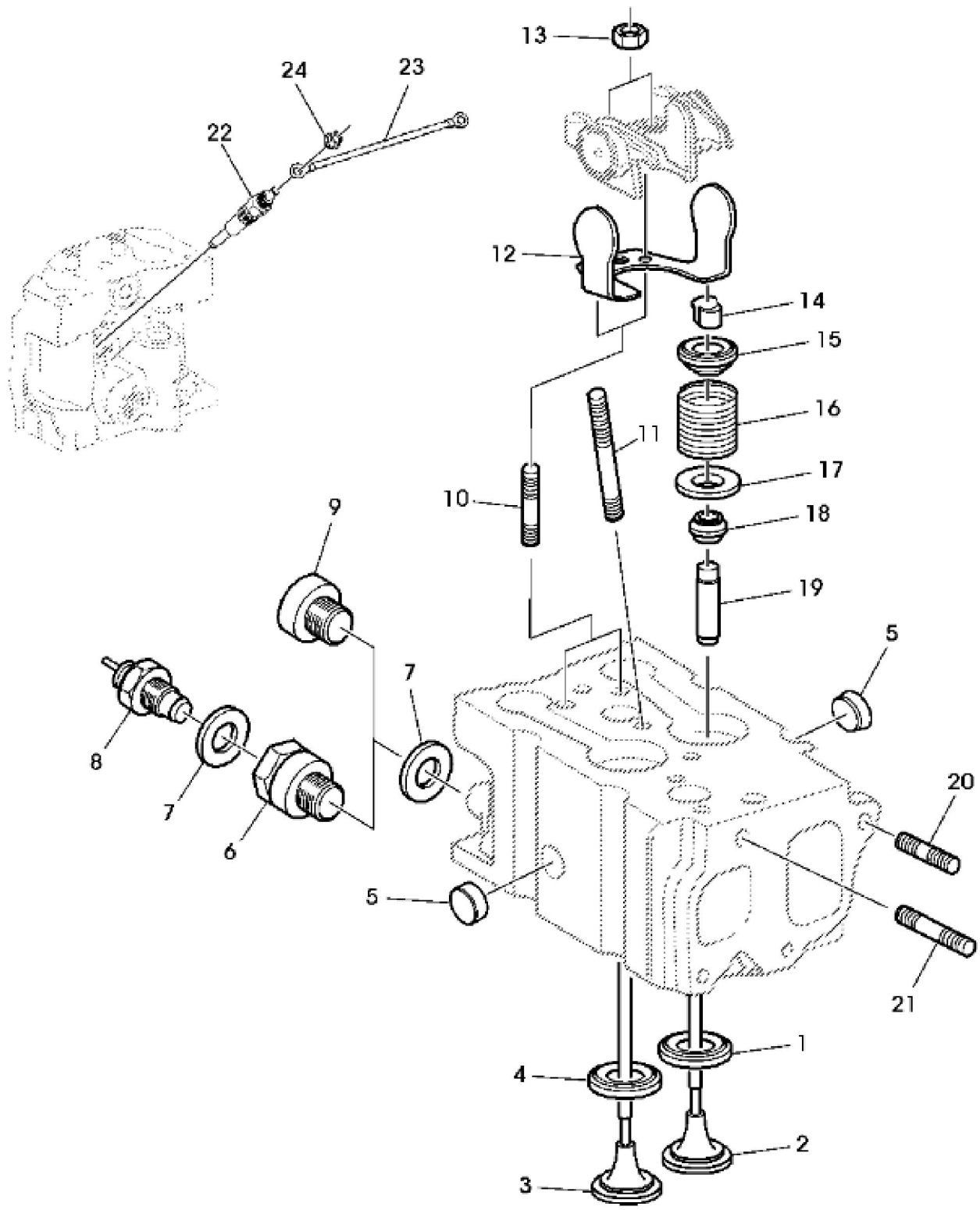
For more complete manuals. Please go to the home page.

<https://www.ebooklibonline.com>

If the above button click is invalid. Please download this document first, and then click the above link to download the complete manual.

Thank you so much for reading

KEY	PART NO.	PART NAME	QTY	REMARKS
1	FGV40432003	TAPPET	8	
2	FGV20422014	ROD	8	
3	FGV20512670	BRACKET	4	
4	FGV22022289	ENGINE CYLINDER HEAD GASKET	1	1.41 MM, SUB FOR FGV22022182
4	FGV22022290	ENGINE CYLINDER HEAD GASKET	1	1.51MM, SUB FOR FGV22022183
4	FGV22022184	ENGINE CYLINDER HEAD GASKET	1	1.61 MM
5	FGV10352067	CYLINDER HEAD	4	ASSEMBLY
6	FGV10412019	ROCKER ARM	8	



PY54161

<https://www.ebooklibonline.com>

Hello dear friend!

Thank you very much for reading.

Enter the link into your browser.

The full manual is available for immediate download.

<https://www.ebooklibonline.com>