

MP26840

KEY	PART NO.	PART NAME	QTY	Serial No.	REMARKS
1	LG692545	CYLINDER	1		
2	LG805101S	SEAL	1		
3	LG808534	BUSHING	1		
4	AM131315	BREATHER	1		
5	M145399	DOWEL PIN	1		(SUB FOR LG690684)
6	AM125424	OIL FILTER	1		
7	LG808235	ADAPTER FITTING	1		(INCLUDES GASKET)
8	LG691145	CLAMP	4		
9	MIA10503	KIT	1		HOSE AND CLAMP, (SUB FOR LG499501)
10	15H623	PIPE PLUG	1		3/8"
11	LG692063	GASKET	1		
12	LG690706	LOCK WASHER	1		
13	LG690682	STUD	1		
14	LG690679	CAP SCREW	1		
15	M146343	GASKET	1		BREATHER, (SUB FOR LG807688)
16	AM131315	BREATHER	1		(SUB FOR M143320)
17	LG690751	SCREW	1		
18	MIU11524	SCREW	1		(NLA) (ORDER 19M7269) (SUB FOR LG692540)
19	LG806083S	TUBE	1		BREATHER
20	LG690686	PLATE	1		BREATHER
21	LG691550	RETAINER	1		
22	LG690680	SEAL	1		
23	LG690701	BUSHING	1		
24	M144914	BUSHING	1		
25	AM131177	CRANK	1		GOVERNOR
26	LG805049S	SEAL	2		
27	LG690704	WASHER	1		
28	MIU12287	GASKET	1		NLA; ORDER MIU11265; SUB FOR LG691684; Crankcase
28	MIU11265	GASKET	1		NLA; ORDER MIU13345
28	MIU13345	GASKET	1		NLA; ORDER MIU14235
28	MIU14235	GASKET	1		
29	LG692154	SEAL	1		
30	MIA11613	CRANKCASE	1		(SUB FOR AM131176)
31	19M7798	SCREW	4		M8 X 40, (ENGINE MOUNTING)

<https://www.ebooklibonline.com>

Hello dear friend!

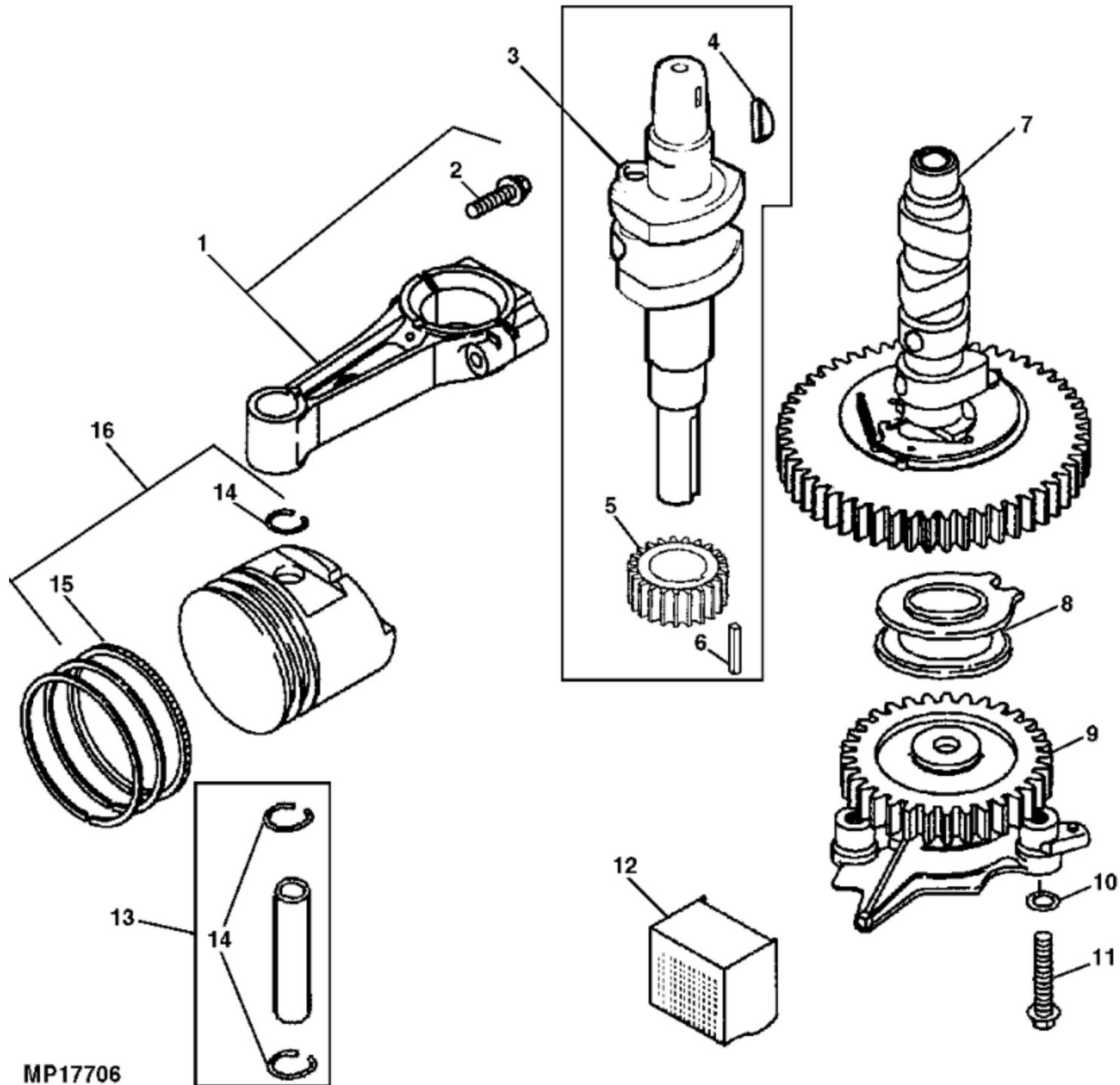
Thank you very much for reading.

Enter the link into your browser.

The full manual is available for immediate download.

<https://www.ebooklibonline.com>

KEY	PART NO.	PART NAME	QTY	Serial No.	REMARKS
32	14M7298	FLANGE NUT	4		M8, (ENGINE MOUNTING)
33	LG692053	SEAL	1		
34	LG691870	SEAL	1		
35	LG692093	TUBE	1		
36	M132015	THREADED NIPPLE	1	____-050000	
37	M126875	CAP	1	____-050000	
38	M144897	CAP	1	050001-____	
39	R27166	O-RING	1	050001-____	
40	TUBE	1	050001-____	
41	AM131611	DRAIN PLUG	1	050001-____	OIL DRAIN
42	M147829	SCREW	2		(SUB FOR LG692537)
43	LG692101	DIPSTICK	1		
..	AM130157	ENGINE	1		
..	LG808036	LABEL KIT	1		NLA



MP17706



Suggest:

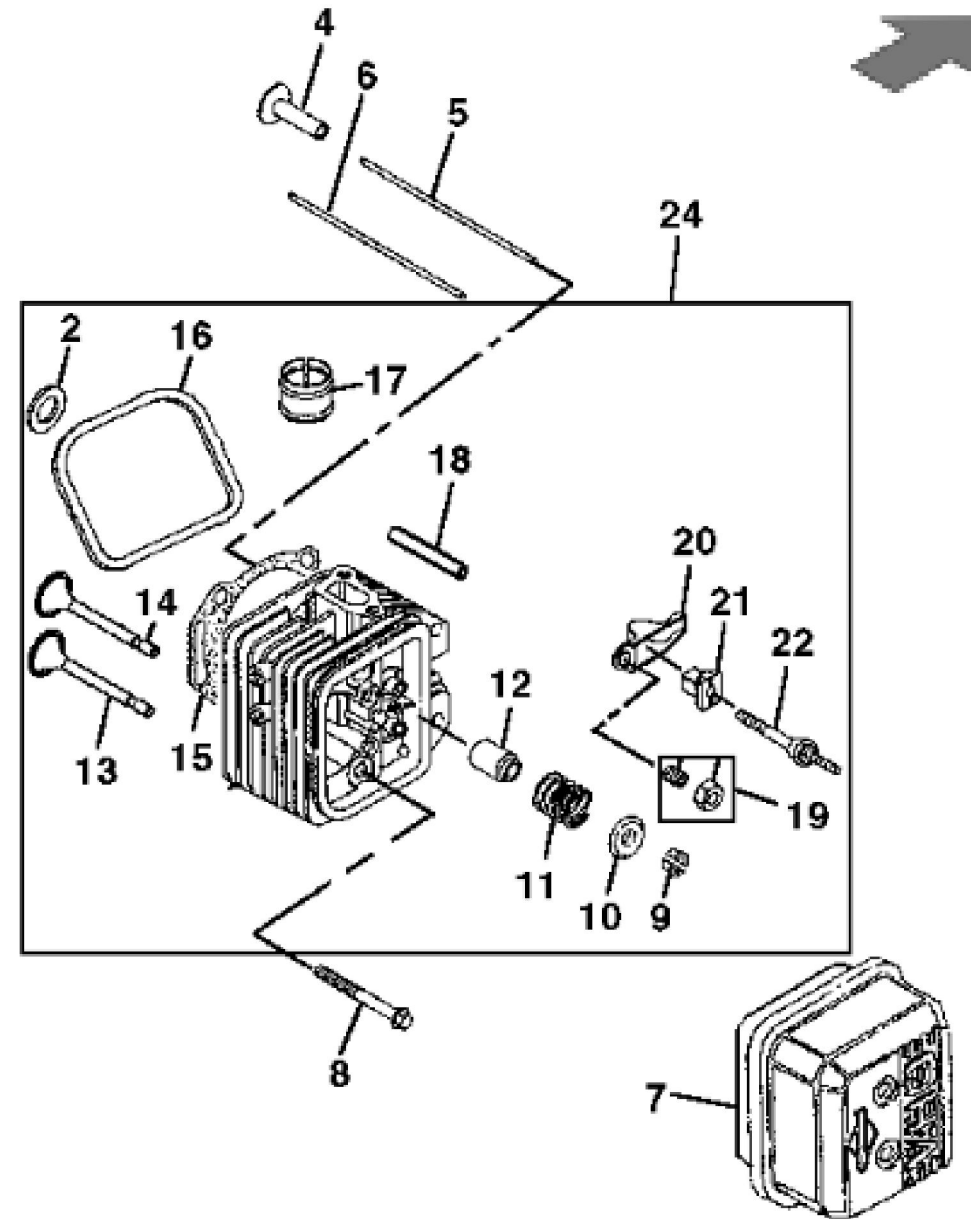
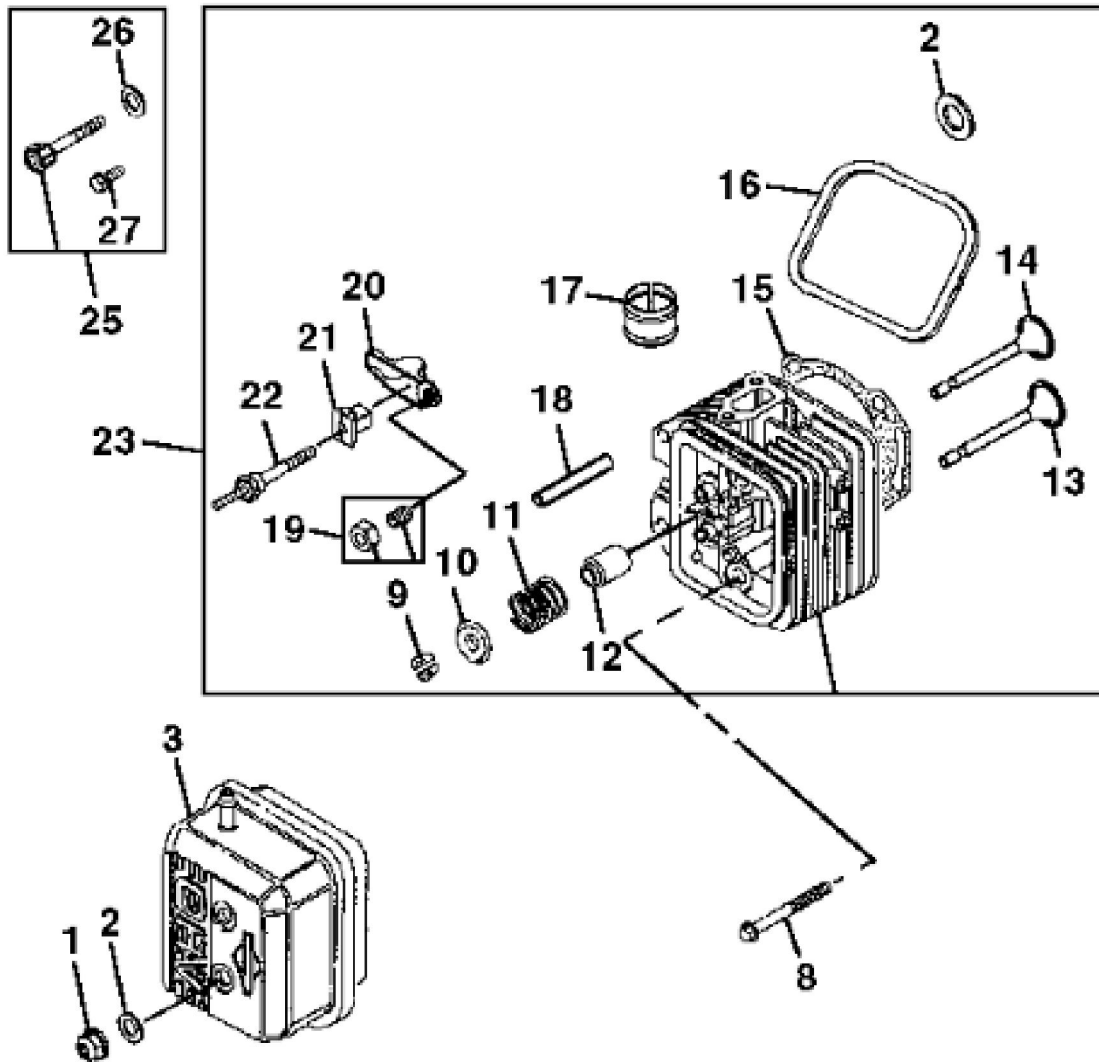
For more complete manuals. Please go to the home page.

<https://www.ebooklibonline.com>

If the above button click is invalid. Please download this document first, and then click the above link to download the complete manual.

Thank you so much for reading

KEY	PART NO.	PART NAME	QTY	REMARKS
1	LG807900S	CONNECTING ROD	2	STD
1	LG807803	CONNECTING ROD	1	.50MM (.020") US, (NLA)
2	LG690698	SCREW	1	
3	MIU11092	CRANKSHAFT	1	(SUB FOR LG692172)
4	M145150	SHAFT KEY	1	(SUB FOR LG806066)
5	LG691530	GEAR	1	TIMING
6	LG691639	KEY	1	
7	LG691557	CAM	1	
8	LG690689	SPOOL	1	GOVERNOR
9	LG693186	OIL PUMP	1	(ORDER MIA11613)
9	MIA11613	RESERVOIR	1	ENGINE BASE SUMP (NOT SHOWN)
10	LG690681	SEAL	2	
11	LG691492	CAP SCREW	2	
12	LG690878	SCREEN	1	OIL PUMP
13	LG807886	PISTON PIN	2	
14	LG690683	SNAP RING	2	
15	MIU12116	PISTON RING KIT	1	STD, (SUB FOR LG807889)
15	LG807995	PISTON RING KIT	1	.50MM (.020") OS
16	MIA11406	PISTON	2	STD, (SUB FOR LG808326)
16	LG808337	PISTON	1	.50MM (.020") OS



MP29752

<https://www.ebooklibonline.com>

Hello dear friend!

Thank you very much for reading.

Enter the link into your browser.

The full manual is available for immediate download.

<https://www.ebooklibonline.com>