

KEY	PART NO.	PART NAME	QTY	REMARKS
1	CYLINDER BLOCK	1	MARKED R534787; ORDER RE520616
2	RE507807	PIPE PLUG	1	
3	RE531748	CAMSHAFT	1	MARKED R524506
4	R133303	SHAFT KEY	1	
5	R516237	GEAR	1	Z = 60
6	R116466	PLUG	1	
7	R119874	BUSHING	1	
8	R115299	BUSHING	6	
9	19M8999	SCREW	2	M8 X 25
10	R132518	PLATE	1	
11	B153R	DOWEL PIN	2	
12	RE505501	BLEED VALVE	1	
13	R111137	SPRING	1	
14	R121043	VALVE	1	(Bypass Valve)
15	R535005	CAP SCREW	10	
16	R536082	BEARING CAP	4	MARKED R536083
17	R97185	O-RING	1	
18	15H695	PIPE PLUG	1	3/8"
19	R535004	BEARING CAP	1	MARKED R536083
20	RE508185	FITTING	2	
21	U13639	O-RING	2	
22	RE42713	PIPE PLUG	4	
23	T18891	PLUG	2	
24	R131182	ORIFICE	4	
25	A120R	DOWEL PIN	4	

<https://www.ebooklibonline.com>

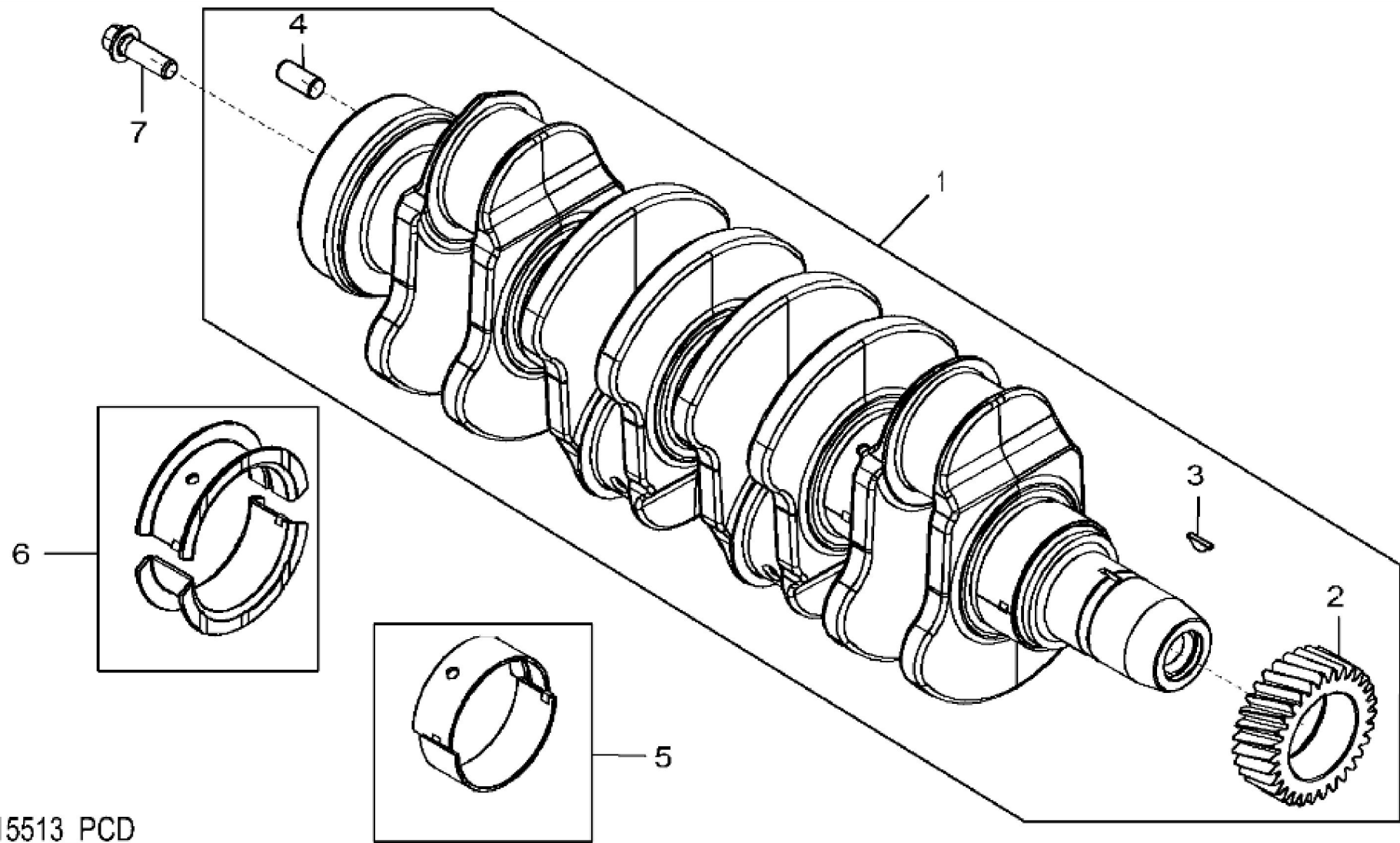
Hello dear friend!

Thank you very much for reading.

Enter the link into your browser.

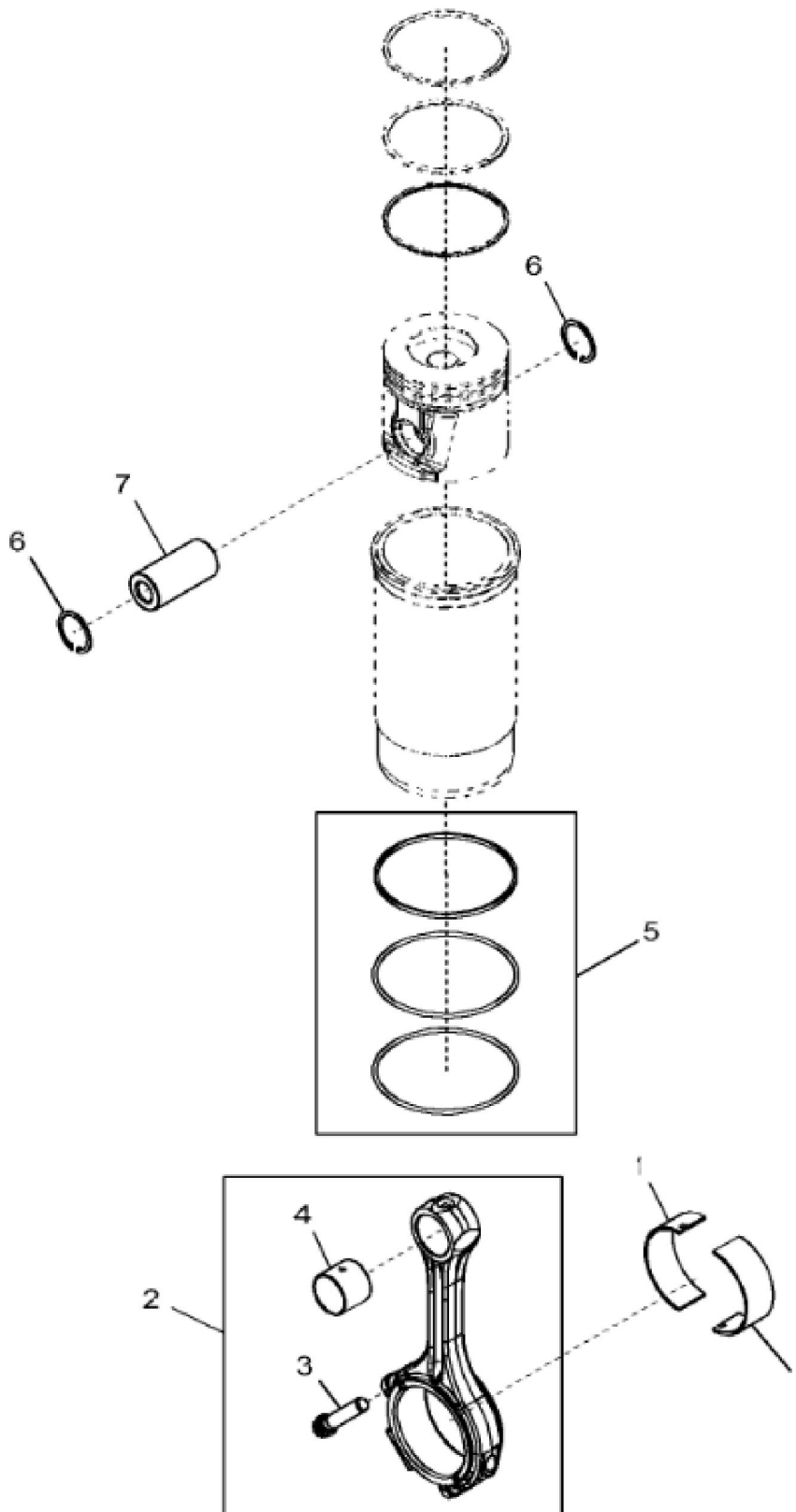
The full manual is available for immediate download.

<https://www.ebooklibonline.com>



4715_RE515513_PCD

KEY	PART NO.	PART NAME	QTY	REMARKS	
1	RE506195	CRANKSHAFT	1	(Grinding Guidelines : See CTM104) (Iron) ALSO ORDER RE538097 AND RE44574	
1	SE501656	CRANKSHAFT REMAN	1	(With Bearings) REMAN FOR RE506195	
2	R120631	GEAR	1	Z = 30	
3	R505609	SHAFT KEY	1		
4	A120R	DOWEL PIN	1		
5	RE65165	BEARING KIT	4	STD KIT, MARKED R123561 AND R123562	
5	RE65911	BEARING	1	US -0.254 MM , MARKED R130576 AND R130577	
6	RE65168	BEARING KIT	1	STD KIT, MARKED R123563 AND R123564	
6	RE65912	THRUST BEARING	1	US -0.254MM , MARKED R130576 AND R130577	
7	R135918	BOLT	4		





Suggest:

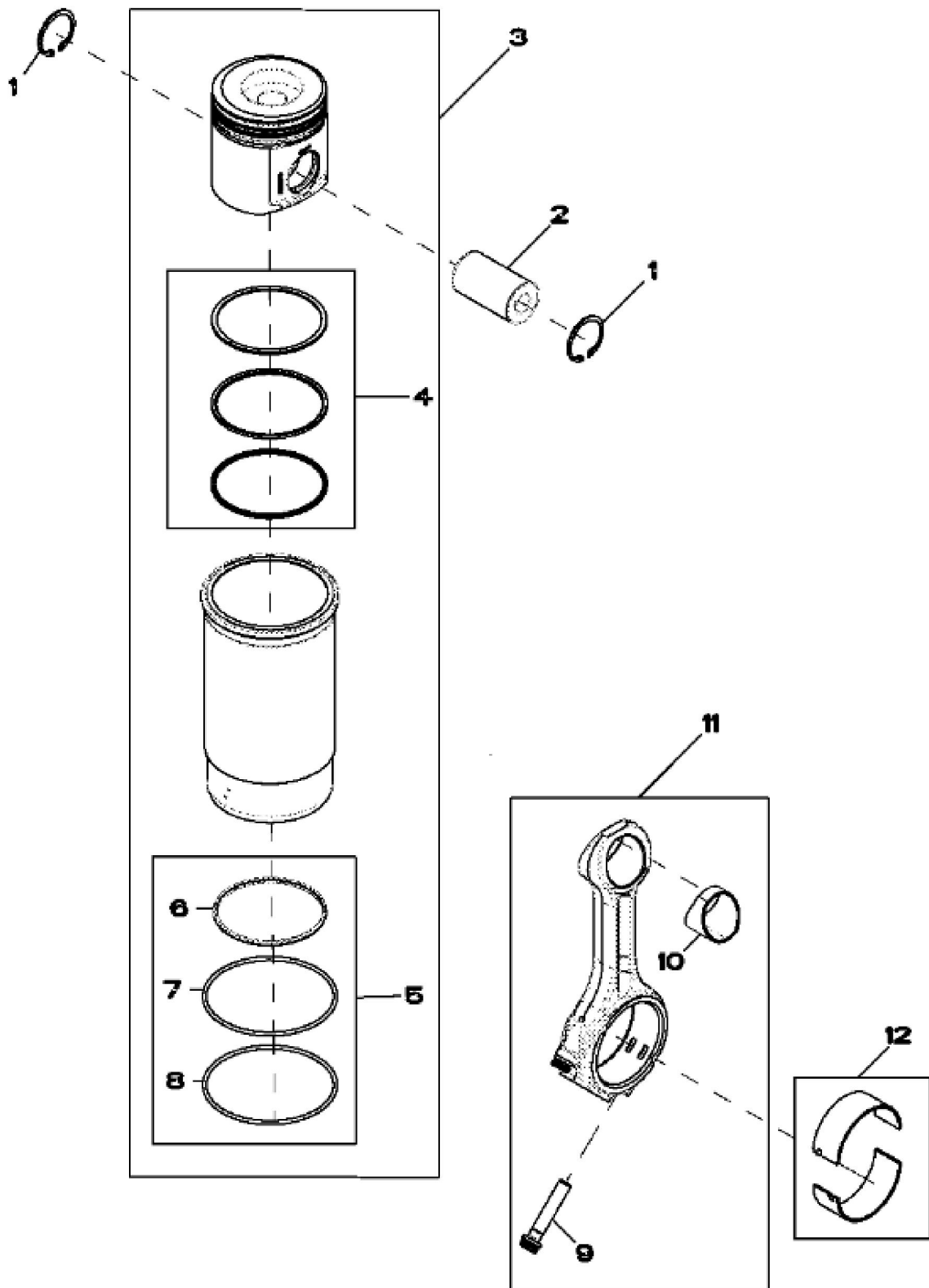
For more complete manuals. Please go to the home page.

<https://www.ebooklibonline.com>

If the above button click is invalid. Please download this document first, and then click the above link to download the complete manual.

Thank you so much for reading

KEY	PART NO.	PART NAME	QTY	REMARKS	
1	RE65908	BEARING	4		
2	RE500002	CONNECTING ROD	4		
2	SE501096	CONNECTING ROD REMAN	1	REMAN FOR RE500002	
3	R501124	SCREW	2		
4	R123960	BUSHING	1		
5	AR65507	O-RING KIT	4		
6	M41029	SNAP RING	8		
7	R123178	PISTON PIN	4		



RE 508086PCDB02

<https://www.ebooklibonline.com>

Hello dear friend!

Thank you very much for reading.

Enter the link into your browser.

The full manual is available for immediate download.

<https://www.ebooklibonline.com>