

ETN110875A02

CLUTCH HOUSING

KEY	PART NO.	PART NAME	QTY	Serial No.	REMARKS	
1	44M7072	PIN	2		10 X 23 mm	
2	R138285	BUSHING	4			
3	R141189	PLUG	2			
4	RE239148	SEAL	2			
5	RE507807	PIPE PLUG	1		INCLUDES R55233	
5	R55233	PIPE PLUG	1			
6	R113778	SEAL	1	____-300000		
6	RE72136	SEAL	1	300001-____	ORDER SJ12600	
6	SJ12600	SEAL	1			
7	SU34644	HOUSING	1			

<https://www.ebooklibonline.com>

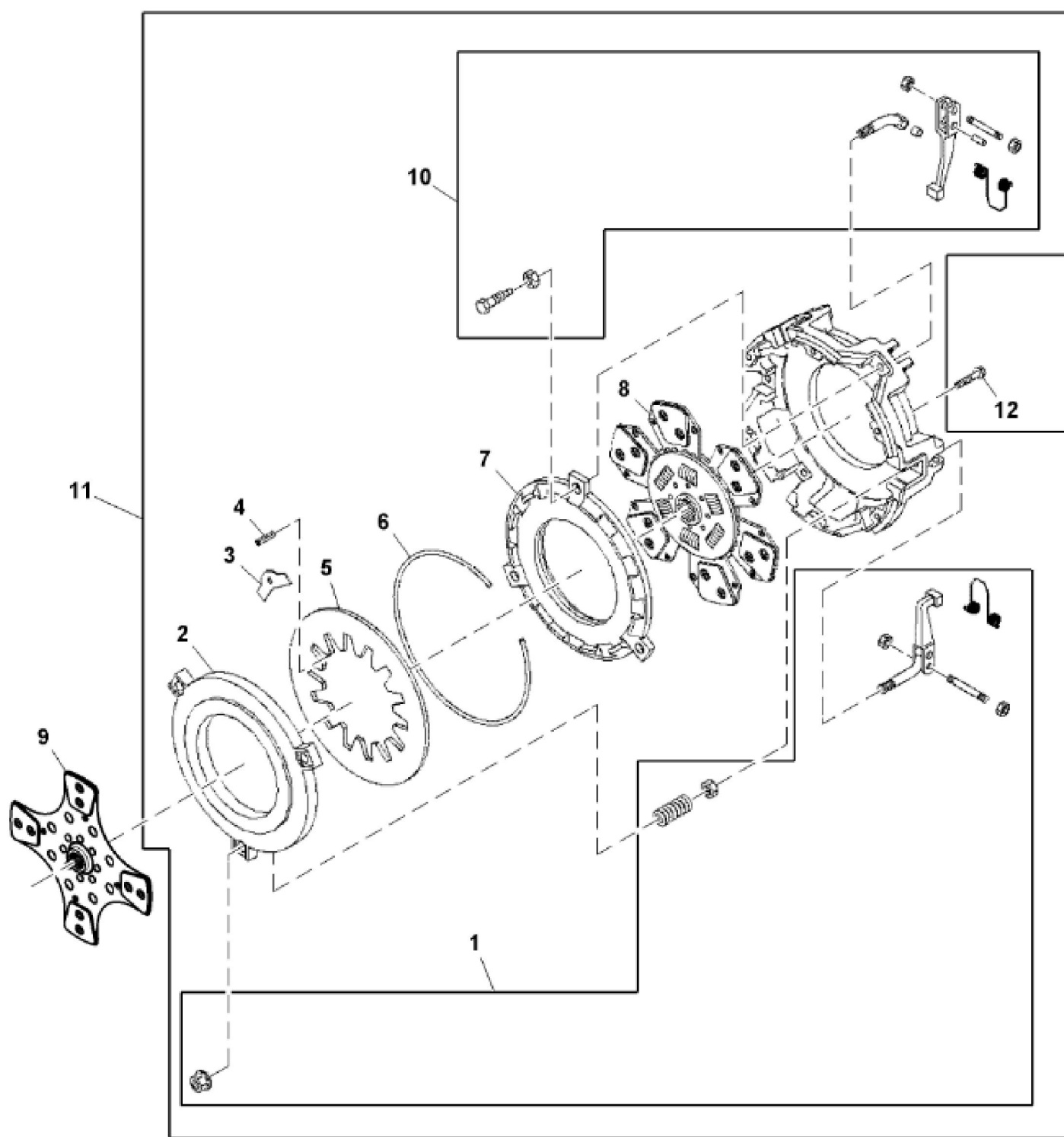
Hello dear friend!

Thank you very much for reading.

Enter the link into your browser.

The full manual is available for immediate download.

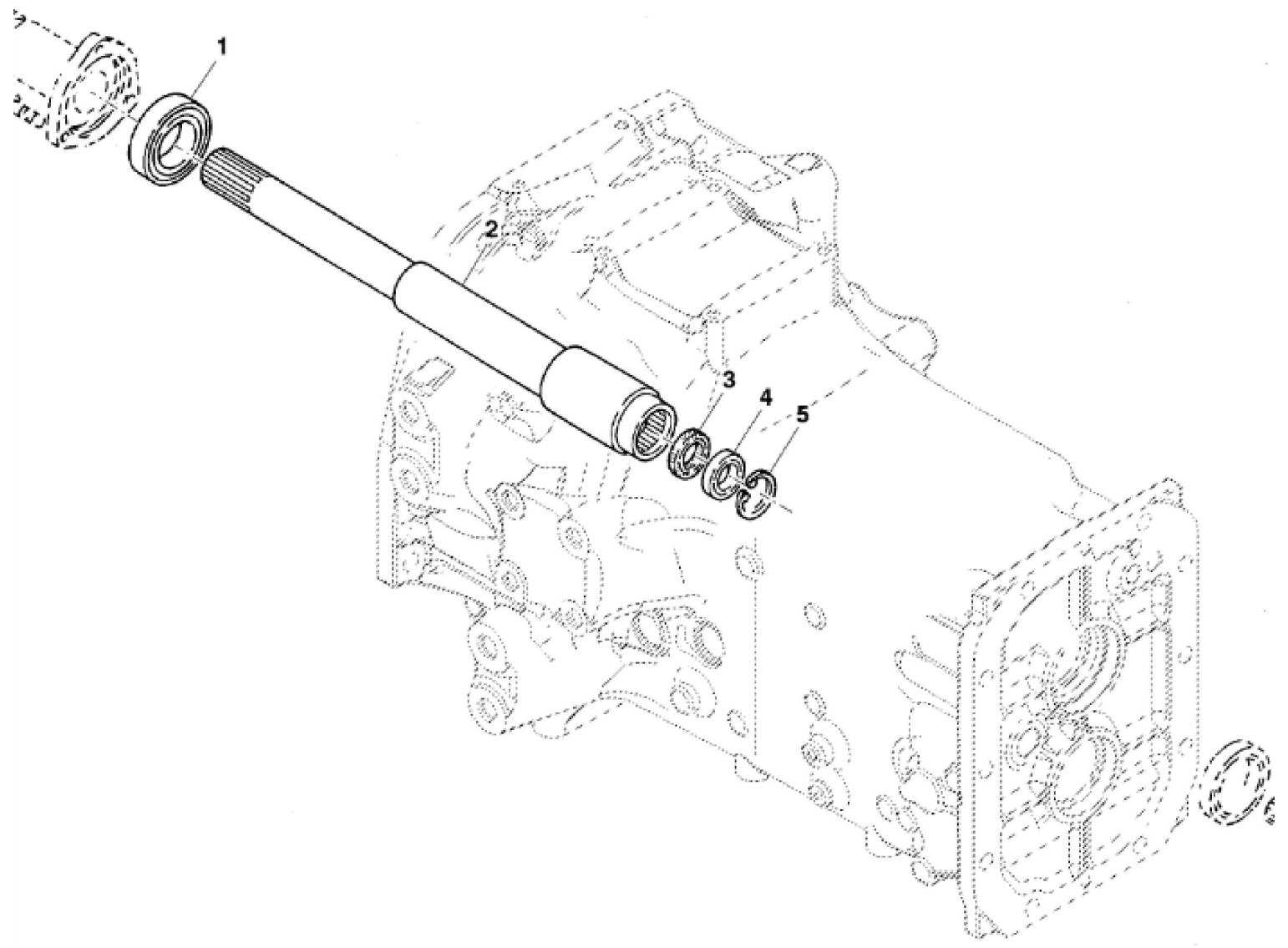
<https://www.ebooklibonline.com>



ETN2652BR3

John Deere > Turf And Utility >TRACTOR >5-950 - TRACTOR >5-750,5-754,5-800,5-804,5-850,5-854,5-900,5-904,5-950 Tractors (Stage II)(China Edition_PIN Prefix 1YR) >50 POWER TRAIN >ST290700 - CLUTCH

KEY	PART NO.	PART NAME	QTY	REMARKS
1	SJ17359	CLUTCH KIT	3	SUB FOR RE225676PTO Clutch Hardware
2	SU31072	PLATE	1	SUB FOR RE72966
3	R139943	RETAINER	1	
4	R139940	SPRING PIN	1	
5	R177572	SPRING	1	
6	R139942	RING	1	
7	R139939	PLATE	1	
8	RE225677	CLUTCH DISK	1	Traction
9	SJ23134	CLUTCH DISK	1	SUB FOR RE227648PTO
10	SJ17360	CLUTCH KIT	3	SUB FOR RE72967Traction Clutch Hardware
11	SJ23133	CLUTCH	1	SUB FOR SJ17028
12	19M8318	SCREW	6	M8 X 45



ETN66992A



Suggest:

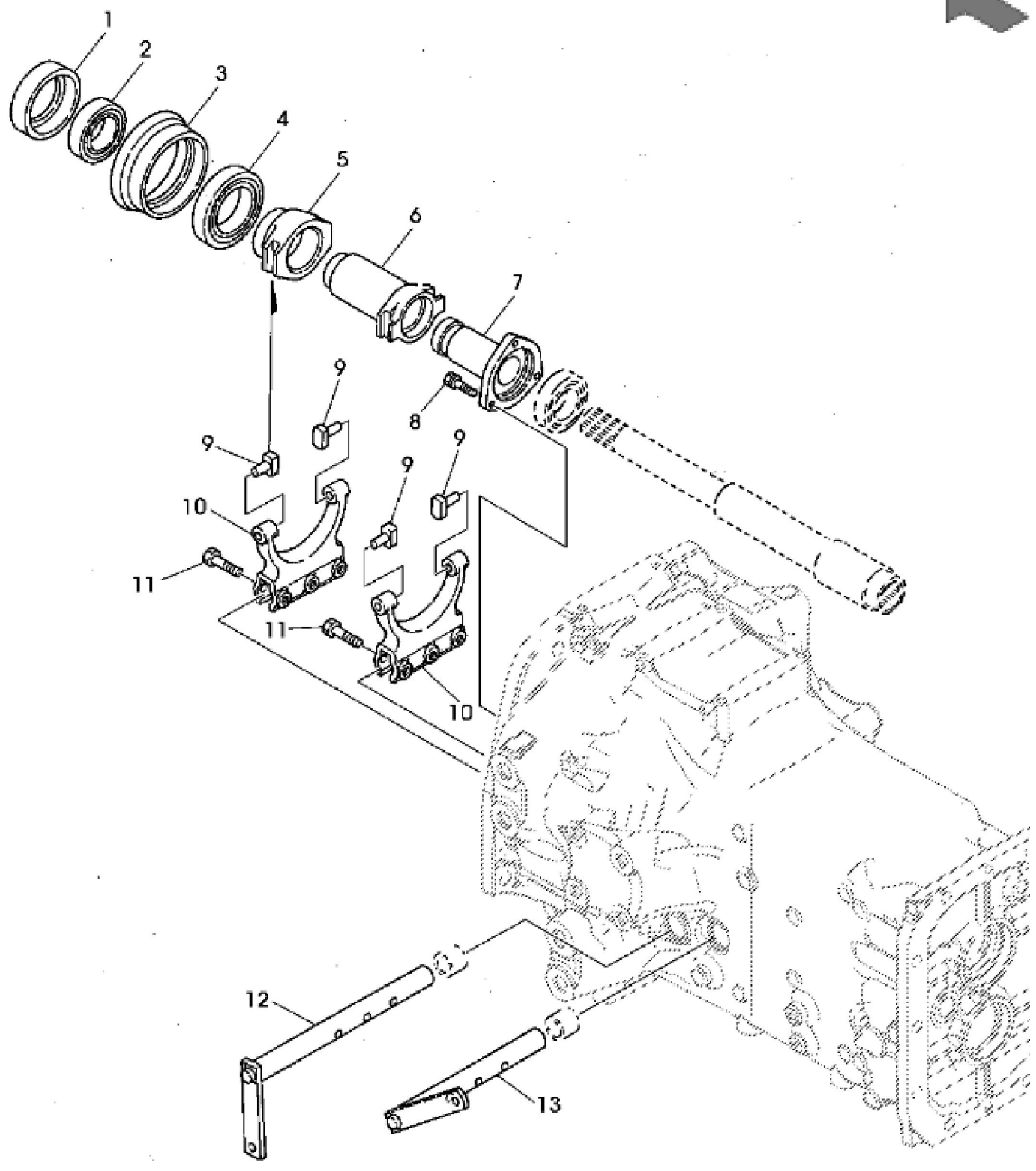
For more complete manuals. Please go to the home page.

<https://www.ebooklibonline.com>

If the above button click is invalid. Please download this document first, and then click the above link to download the complete manual.

Thank you so much for reading

KEY	PART NO.	PART NAME	QTY	REMARKS	
1	RE72074	BALL BEARING	1		
2	RE72061	SHAFT	1		
3	RE72086	SEAL	1		
4	RE72060	BALL BEARING	1		
5	40M7199	SNAP RING	1		



PUC00842

<https://www.ebooklibonline.com>

Hello dear friend!

Thank you very much for reading.

Enter the link into your browser.

The full manual is available for immediate download.

<https://www.ebooklibonline.com>