

ETN120145AR2

KEY	PART NO.	PART NAME	QTY	REMARKS	
1	SU41420	CONTROL LEVER	1		
2	SU317748	KNOB	1		
3	SU326692	SEAT	1		
4	SU319413	PIN	1		
5	19M7163	CAP SCREW	2	M8 X 25	
6	SU40693	SEAL	1		
7	M132601	LABEL	1	(Differential lock)	

**<https://www.ebooklibonline.com>**

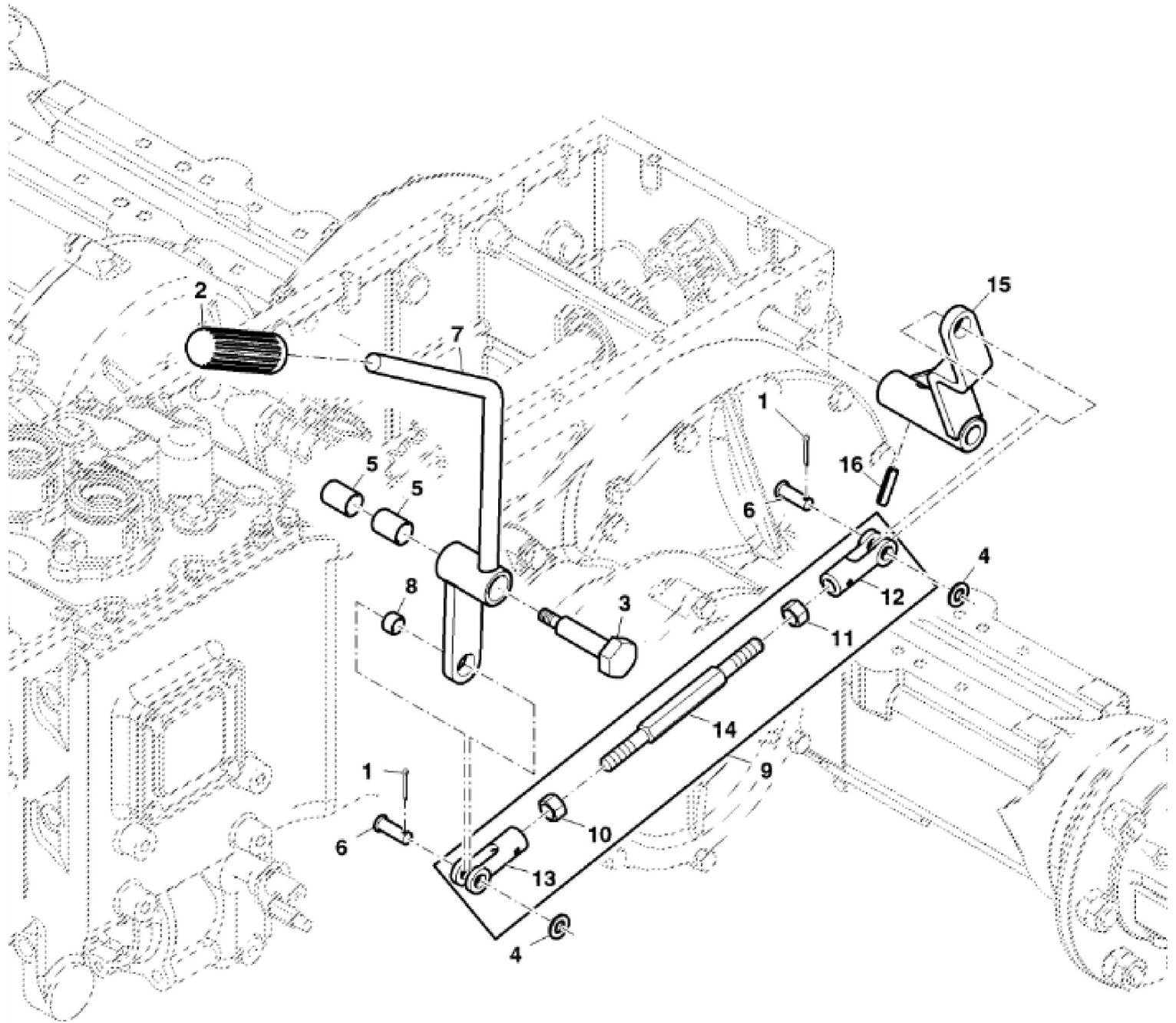
Hello dear friend!

Thank you very much for reading.

Enter the link into your browser.

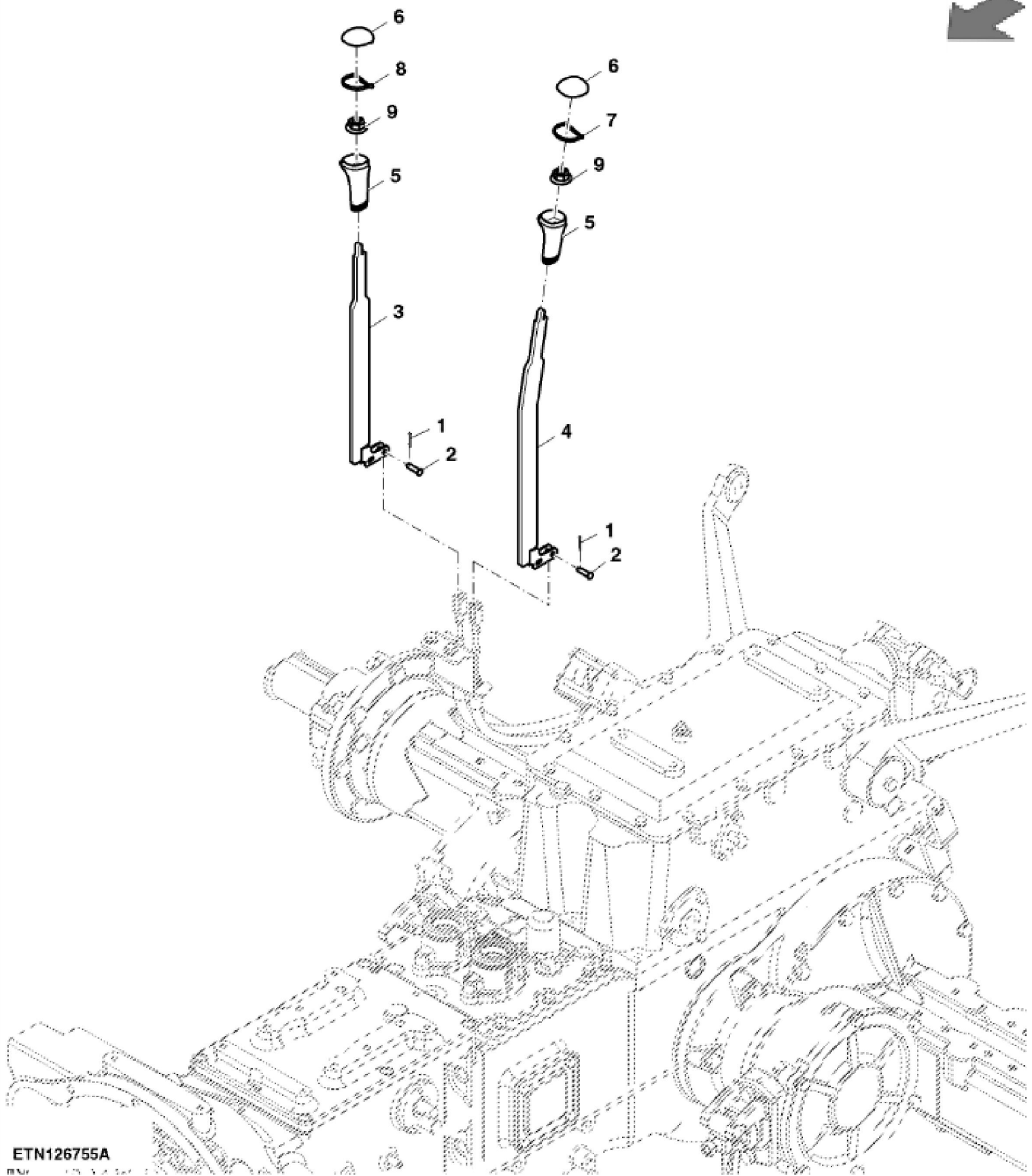
The full manual is available for immediate download.

**<https://www.ebooklibonline.com>**



ETN126598A1

KEY	PART NO.	PART NAME	QTY	REMARKS	
1	11M7059	COTTER PIN	2	3.200 X 20 mm	
2	R109330	KNOB	1		
3	SU38056	SCREW	1		
4	24M7028	WASHER	2	10.500 X 20 X 2 mm	
5	SU317655	BUSHING	2		
6	SU319412	PIN	2		
7	SJ20798	CONTROL	1		
8	SU314255	BUSHING	1		
9	SJ20802	ROD	1		
10	14M7146	NUT	1	M12	
11	14M7512	NUT	1	M12	
12	SU314253	YOKE	1		
13	SU314254	YOKE	1		
14	SU36792	LEVER	1		
15	SJ21455	SUPPORT	1		
16	34M7124	SPRING PIN	1	8 X 30 mm	



ETN126755A



**Suggest:**

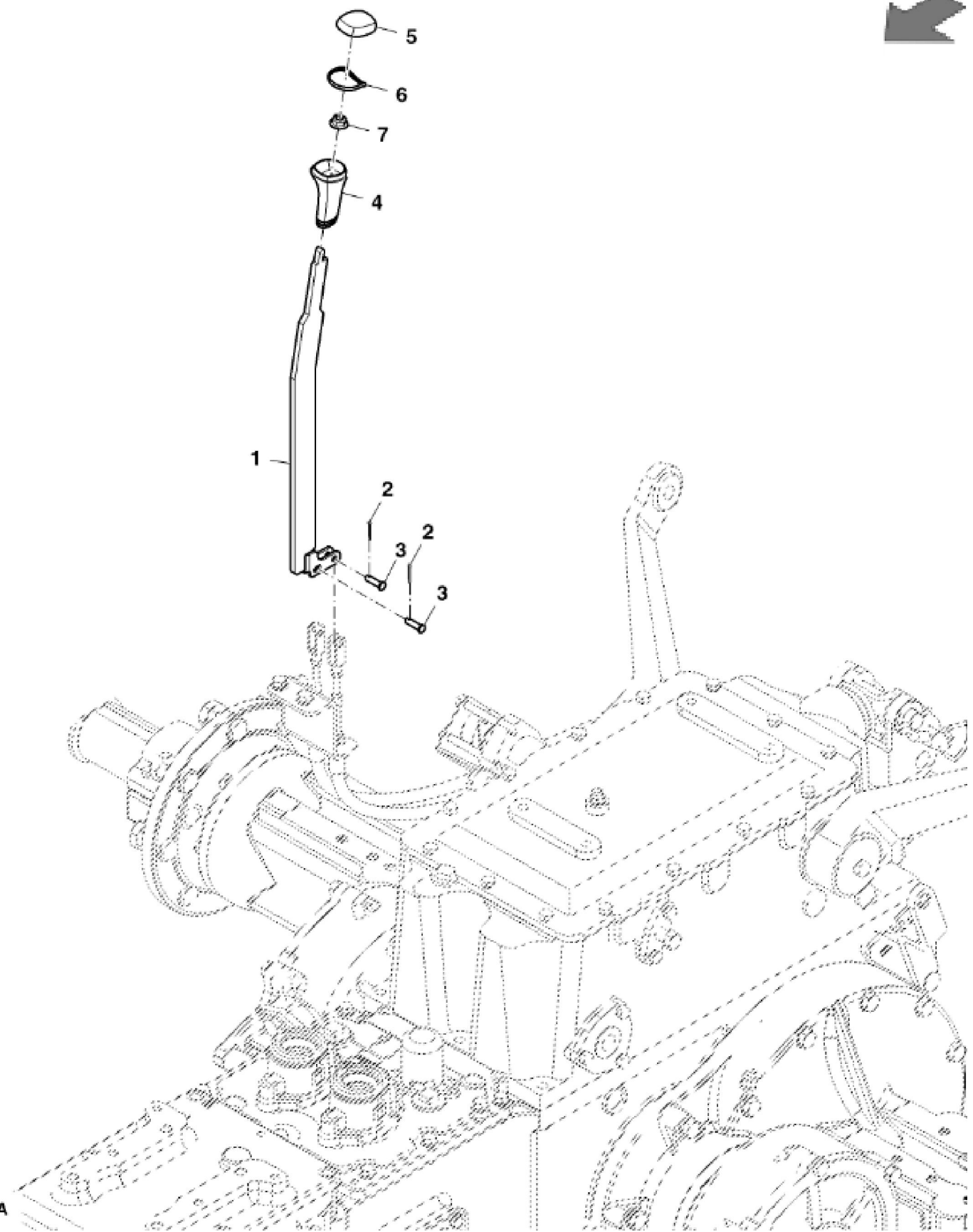
**For more complete manuals. Please go to the home page.**

**<https://www.ebooklibonline.com>**

**If the above button click is invalid. Please download this document first, and then click the above link to download the complete manual.**

**Thank you so much for reading**

KEY	PART NO.	PART NAME	QTY	REMARKS	
1	11M7005	COTTER PIN	4	1.600 X 10 mm	
2	45M3681	PIN FASTENER	4	6 X 22 mm	
3	SJ22384	CONTROL LEVER	1	Second SCV Assembly	
4	SJ22385	CONTROL LEVER	1	First SCV Assembly	
5	L77747	KNOB	2		
6	M113899	INSERT	2		
7	L171710	RING	1		
8	L171711	RING	1		
9	M111717	PUSH NUT	2		



ETN126927A

**<https://www.ebooklibonline.com>**

Hello dear friend!

Thank you very much for reading.

Enter the link into your browser.

The full manual is available for immediate download.

**<https://www.ebooklibonline.com>**