

PUC03108

KEY	PART NO.	PART NAME	QTY	REMARKS	
1	SJ21352	DIESEL ENGINE	1	(No Air Pump)	
1	SJ21354	DIESEL ENGINE	1	(With Air Pump)	

<https://www.ebooklibonline.com>

Hello dear friend!

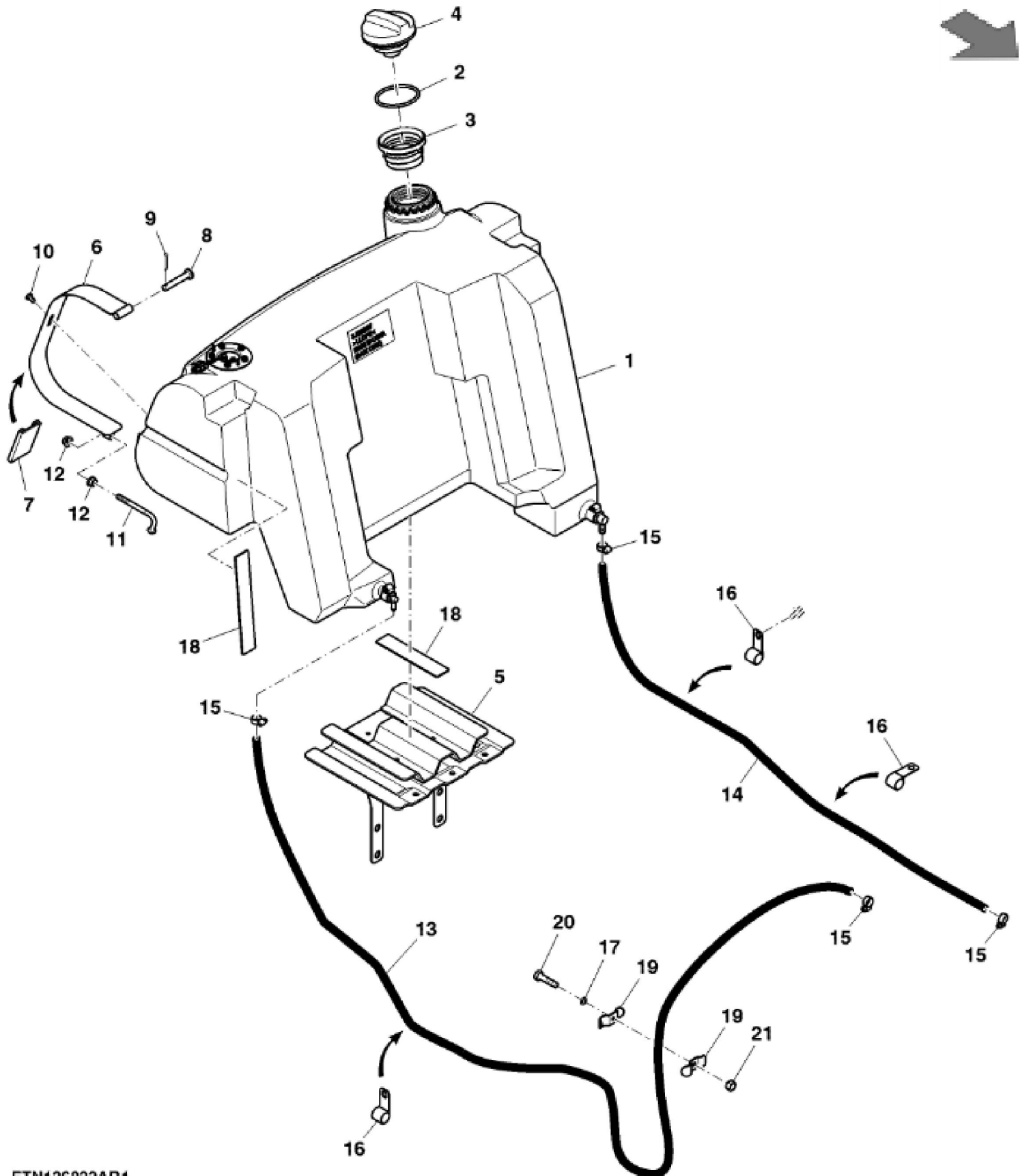
Thank you very much for reading.

Enter the link into your browser.

The full manual is available for immediate download.

<https://www.ebooklibonline.com>

KEY	PART NO.	PART NAME	QTY	REMARKS	
1	SJ21109	FUEL TANK	1		
2	SJ10152	ADAPTER	1		
3	R275565	ADAPTER	1		
4	L112337	SEALING WASHER	1		
5	SU24425	FILLER NECK	1		
6	SJ13123	CAP	1		
7	SJ22382	BRACKET	1	SUB FOR SJ21113	
8	R278071	GASKET	2		
9	R218881	CLAMP	2		
10	SU31678	CLAMP	4		
11	SU30687	CLAMP	4		
12	SU39595	MAT	2		
13	SU318989	LOCK WASHER	2		
14	SU37181	MAT	4		
15	SJ22649	FUEL SENDER	1		
16	SU319001	WASHER	5		
17	SU318987	WASHER	5		
18	SU36125	BOLT	5		
19	SJ22621	BRACKET	1		
20	19M7560	CAP SCREW	2	M6 X 16	
21	19M7865	SCREW	2	M8 X 16	
22	SU37177	HOSE	1		
23	SU37180	HOSE	1		



ETN126822AR1



Suggest:

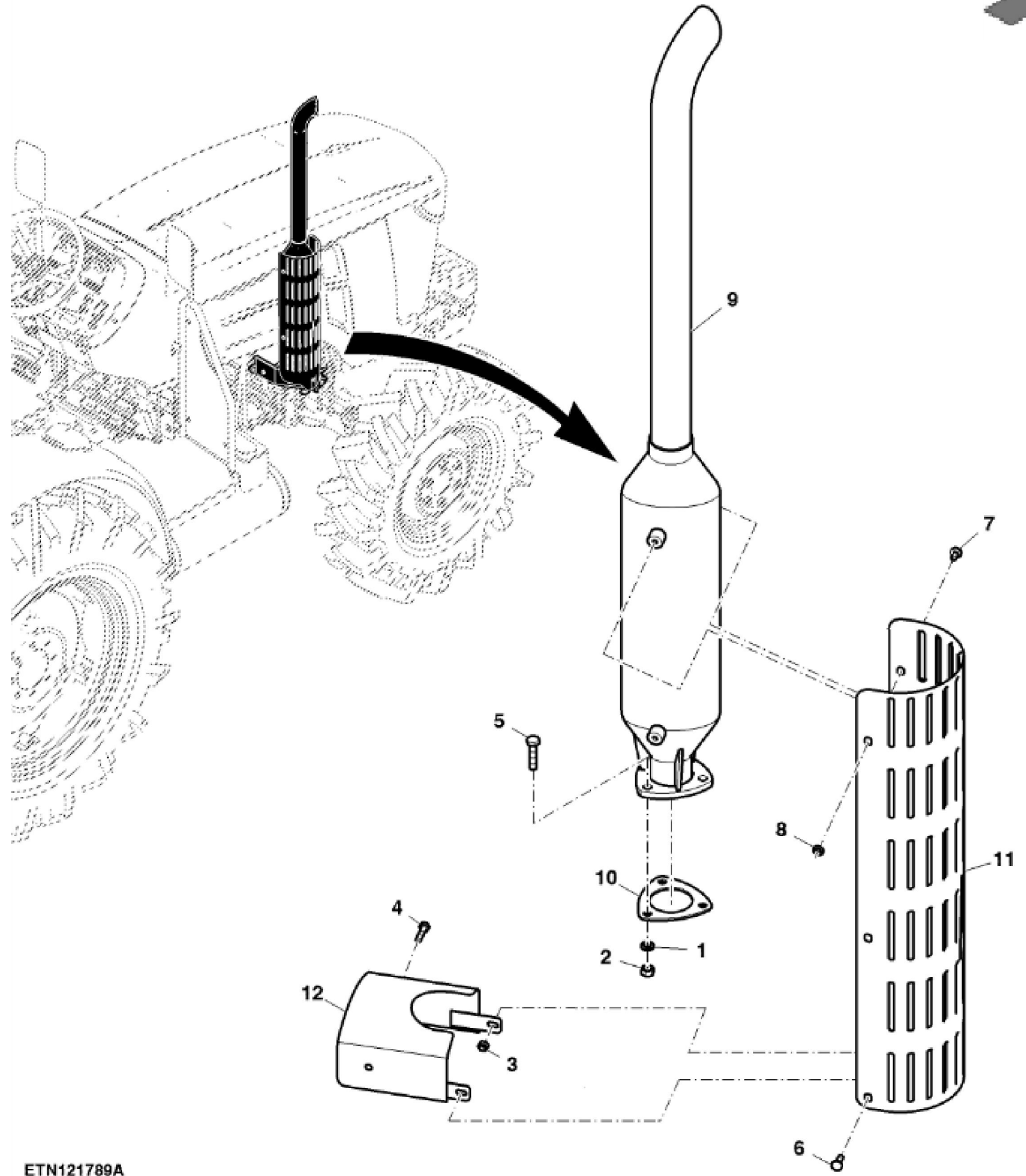
For more complete manuals. Please go to the home page.

<https://www.ebooklibonline.com>

If the above button click is invalid. Please download this document first, and then click the above link to download the complete manual.

Thank you so much for reading

KEY	PART NO.	PART NAME	QTY	REMARKS
1	SJ22396	FUEL TANK	1	
2	L112337	SEALING WASHER	1	
3	SU24425	FILLER NECK	1	
4	SJ13123	CAP	1	
5	SJ22398	BRACKET	1	
6	SJ22383	STRAP	2	
7	R278071	GASKET	2	
8	R200732	PIN FASTENER	2	
9	11M7059	COTTER PIN	2	3.200 X 20 mm
10	21M7285	SCREW	2	M6 X 12
11	R140755	BOLT	2	
12	14M7298	FLANGE NUT	4	M8
13	SU37180	HOSE	1	Fuel Tank To Engine
14	SU37177	HOSE	1	Fuel Cooler Return To Tank
15	R218881	CLAMP	2	
16	SU31678	CLAMP	8	
17	SU318989	LOCK WASHER	2	
18	SU37181	MAT	4	
19	SU30687	CLAMP	4	
20	19M10107	SCREW	2	M6 X 25
21	14M7567	NUT	2	M6



ETN121789A

<https://www.ebooklibonline.com>

Hello dear friend!

Thank you very much for reading.

Enter the link into your browser.

The full manual is available for immediate download.

<https://www.ebooklibonline.com>