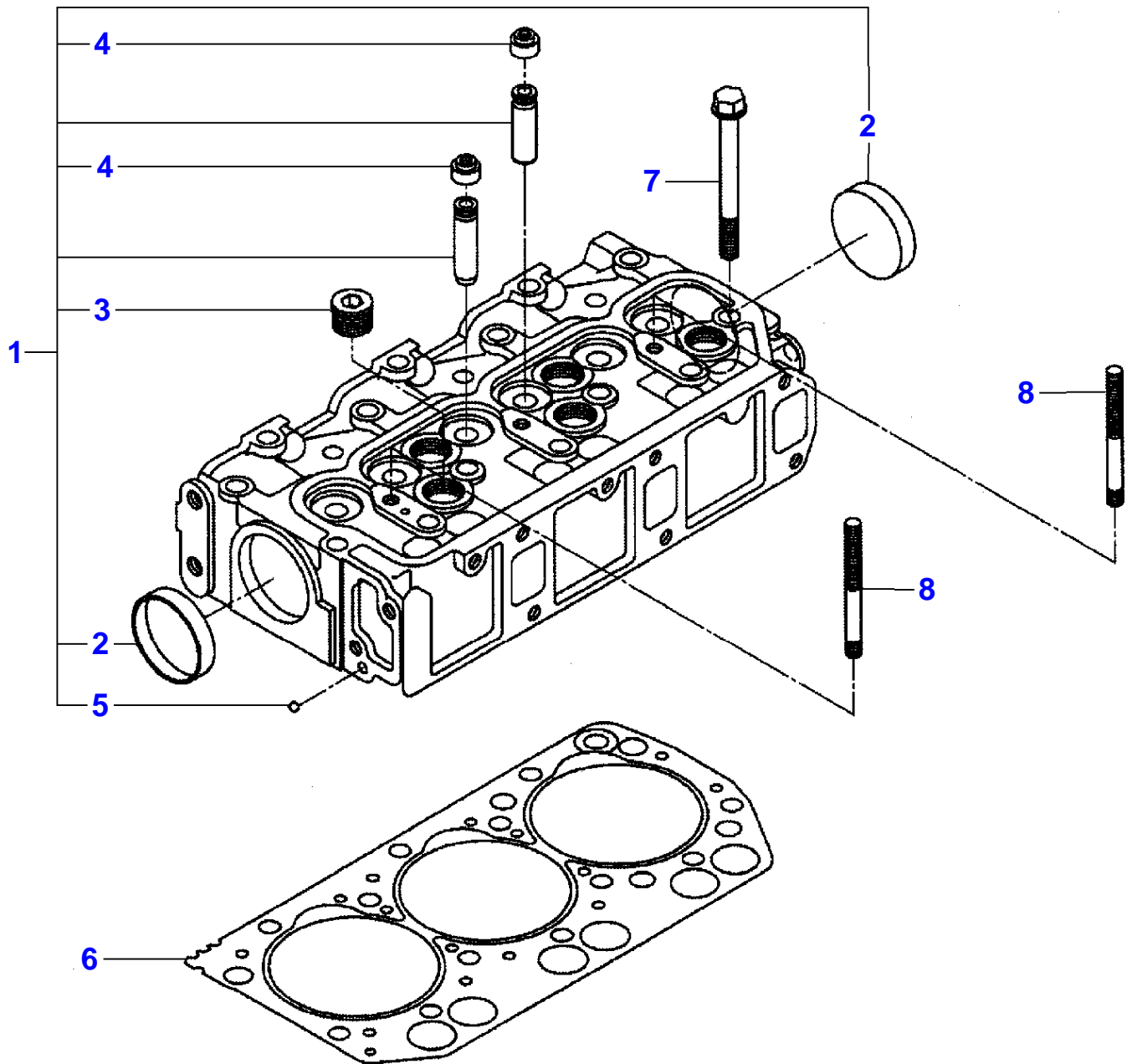


Page Title	Page Number
Cylinder Head	010-0005
Cylinder Head Cover	010-0010
Inlet Manifold	010-0015
Exhaust Manifold	010-0020
Cylinder Block	010-0025
Connecting Rod Bearings - Optional	010-0030
Crankcase	010-0035
Cylinder Block - Rear Plate	010-0040
Timing Gear Housing	010-0045
Hanger	010-0050
Rocker Shaft And Valves	010-0055
Camshaft	010-0060
Piston	010-0065
Piston - Optional	010-0070
Crankshaft	010-0075
Lubrication	010-0080
Water Pump	010-0085
Fan	010-0090
Injection	010-0095
Injection	010-0100
Injection Pump	010-0105
Injection Pump	010-0110
Fuel Pipes	010-0115
Kit, Engine Overhaul - Optional	010-0120

3-IS01-014-A



Cylinder Head

Item	Part Number	Qty	Description
1	4265865M94	1	Cylinder Head
2	3710542M1	2	Cup
3	3707877M2	5	Plug
4	3710256M1	6	Oil Seal
5	3711713M1	1	Ball
6	3606115M1	1	Gasket
7	3710536M1	14	Bolt
8	3607420M1	2	Stud

<https://www.ebooklibonline.com>

Hello dear friend!

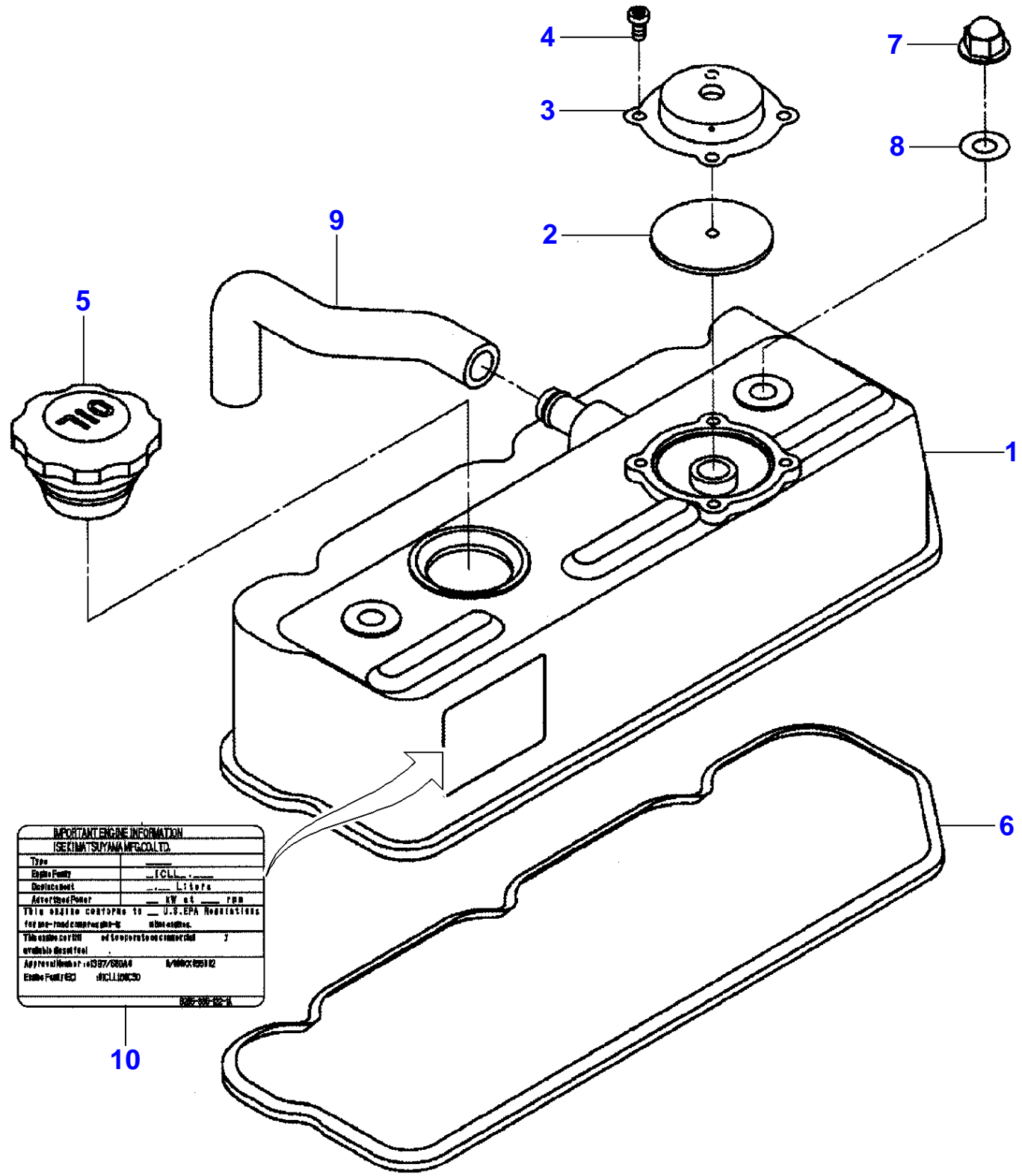
Thank you very much for reading.

Enter the link into your browser.

The full manual is available for immediate download.

<https://www.ebooklibonline.com>

3-IS02-012-A

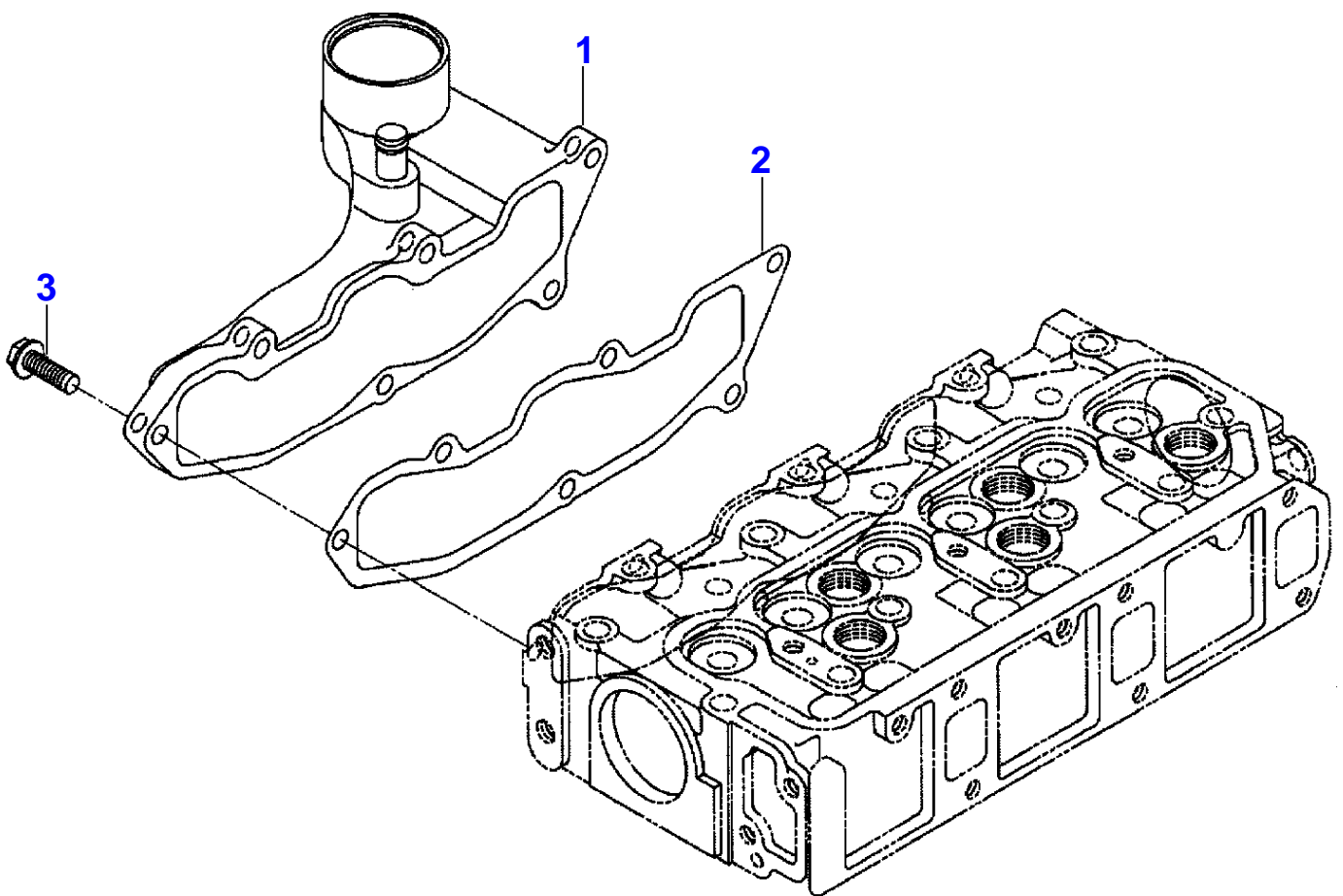


IMPORTANT ENGINE INFORMATION	
ISEKI/MATSUYAMA MFG. CO., LTD.	
Type	ICEL
Engine Family	ICEL
Displacement	Liters
Rated Power	KW at RPM
This engine conforms to U.S. EPA Regulations for non-road commercial use.	
This engine is not for use in commercial or public use.	
Approval Number	6/2000/02012
Engine Family Code	ICEL/ICELCSD
DATE: 2001-02-14	

Cylinder Head Cover

Item	Part Number	Qty	Description
1	3608540M92	1	Cover
2	3710554M1	1	Rubber
3	3710561M1	1	Cover
4	3710529M1	4	Screw
5	3710188M1	1	Cap
6	3710553M1	1	Seal
7	3710127M2	2	Nut
8	4267629M1	2	Gasket
9	3710539M1	1	Hose
10	4265576M1	1	Label

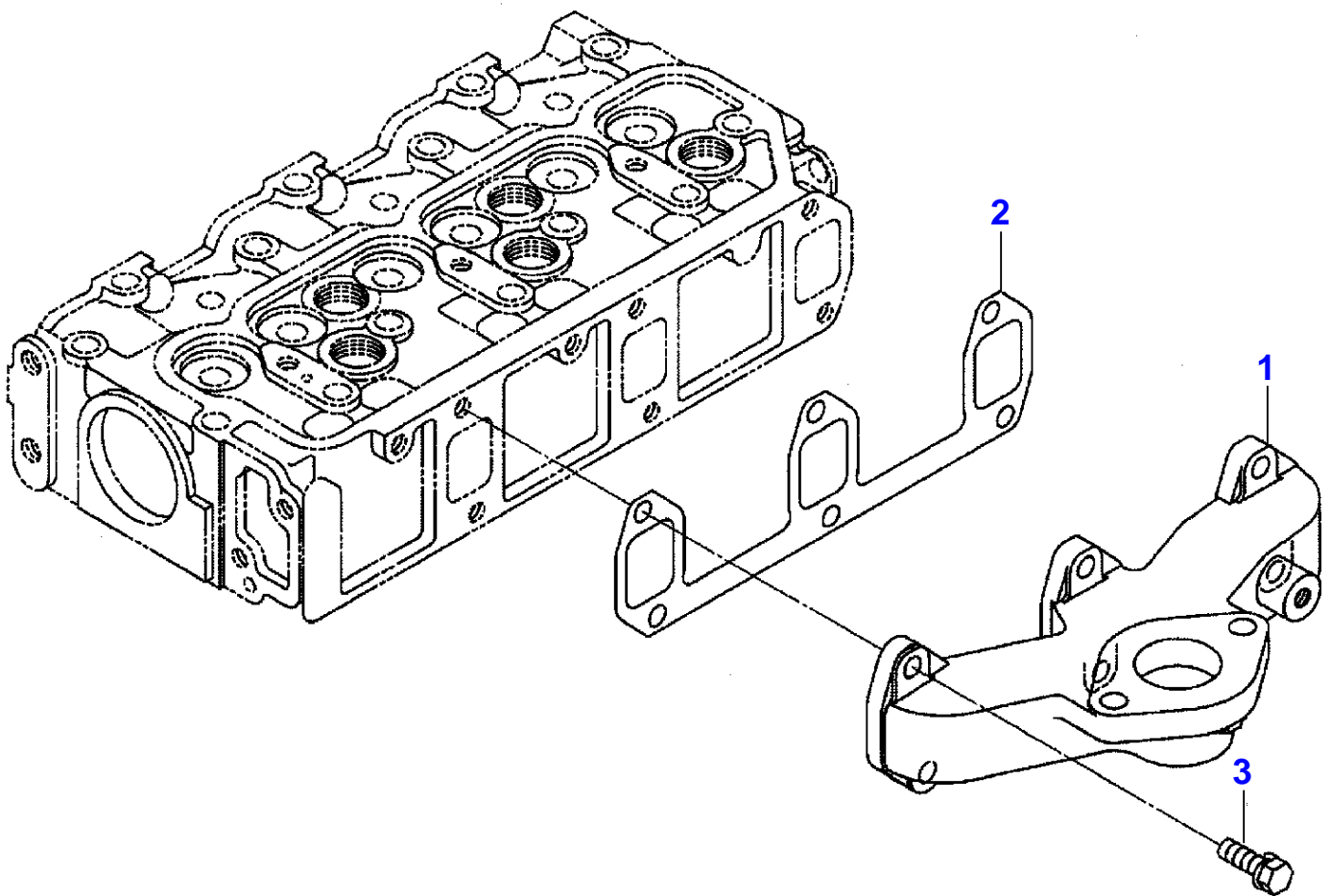
3-IS03-011-A



Inlet Manifold

Item	Part Number	Qty	Description
1	3710647M91	1	Manifold
2	3710649M1	1	Gasket
3	4267568M1	6	Bolt

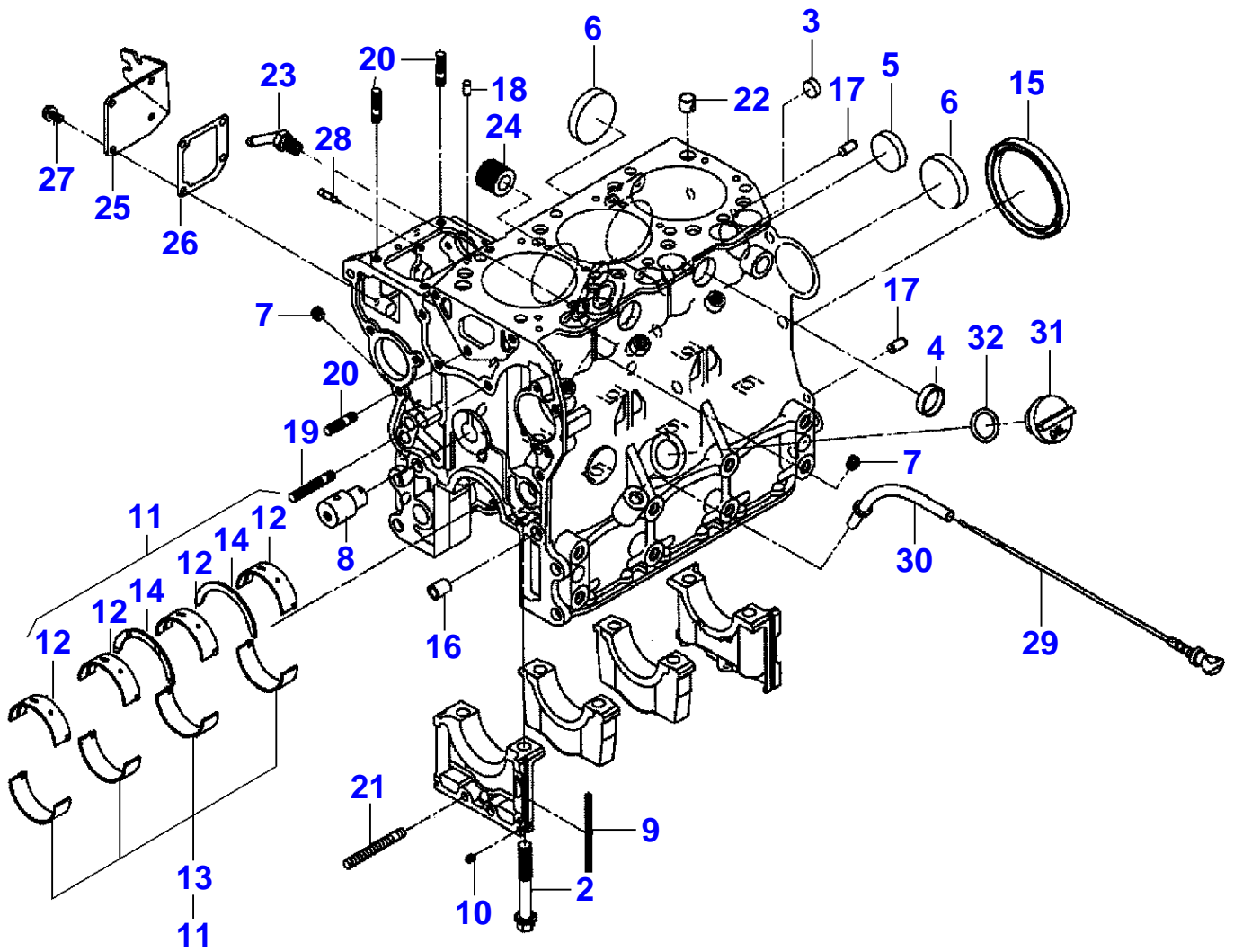
3-IS04-013-A



Exhaust Manifold

Item	Part Number	Qty	Description
1	3710651M1	1	Manifold
2	3710652M1	1	Gasket
3	3702273M1	6	Bolt

3-IS05-024-A

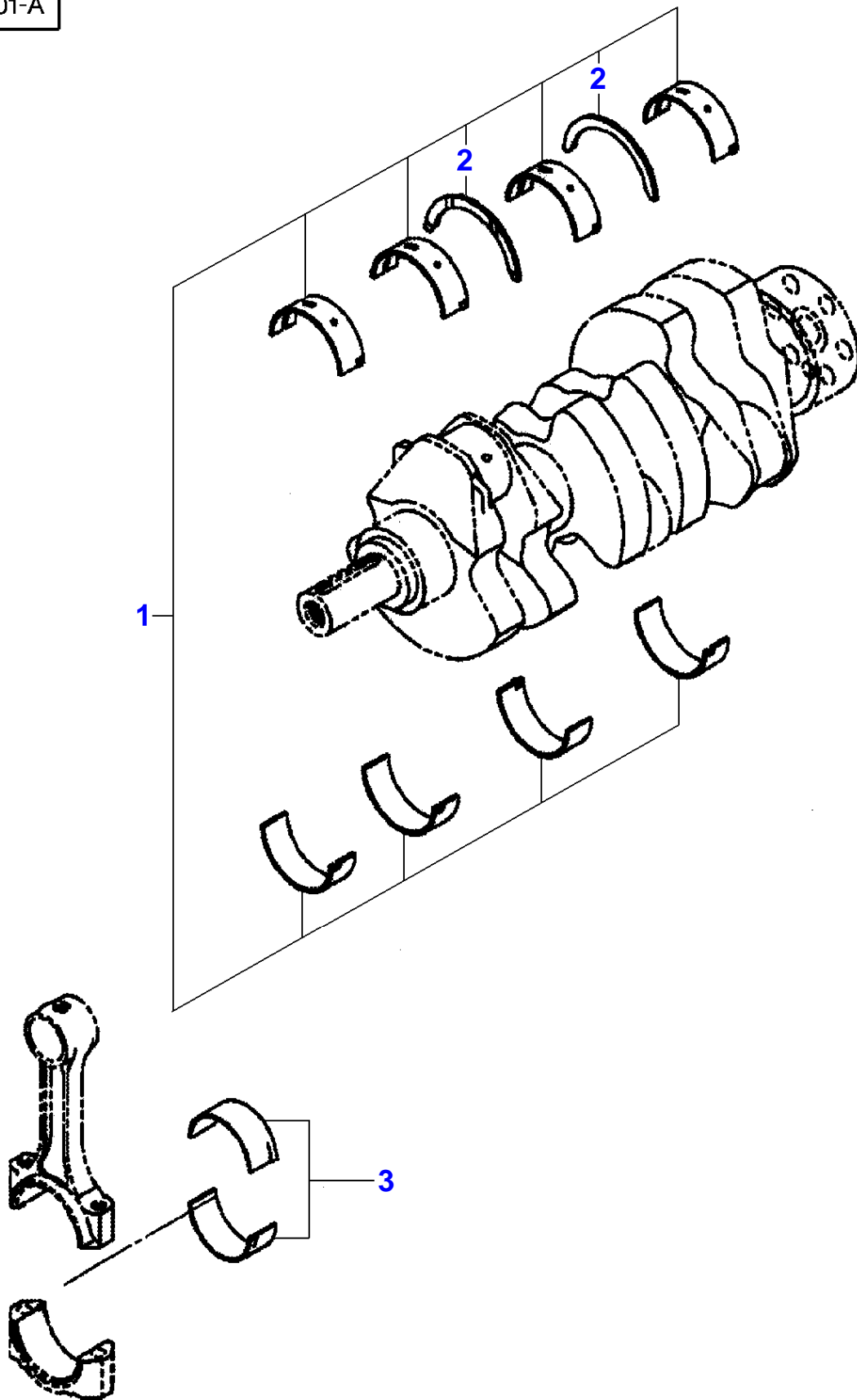


1 { 2
&
8

Cylinder Block

Item	Part Number	Qty	Description	Comments
1	4260391M92	1	Cylinder Block	
2	3710537M1	8	Bolt	(1)
3	4265578M1	2	Cup	(1)
4	3710130M2	2	Cup	(1)
5	4265580M1	1	Cup	(1)
6	3710542M1	3	Cup	(1)
7	3704257M1	8	Plug	(1)
8	3711695M3	1	Pin	(1)
9	3710160M1	4	Seal	
10	3710161M1	2	Seal	
11	3710571M91	1	Bearing	
12	3710572M1	4	Bearing	(11)
13	3710573M1	4	Bearing	(11)
14	3710580M1	2	Bearing Thrust	(11)
15	3710544M2	1	Oil Seal	
16	3710137M2	2	Pin	
17	4266242M1	2	Pin	
18	3757960M1	2	Pin	
19	3706536M1	1	Stud	
20	3704353M1	3	Stud	
21	3754115M1	1	Bolt	
22	3758287M1	2	Dowel	
23	3754123M1	1	Pipe	
24	3710284M1	1	Connectors	
25	3710162M2	1	Cover	
26	3710163M1	1	Gasket	
27	4267405M1	4	Bolt	
28	3710411M1	1	Pin	
29	4260452M1	1	Fuel Gauge	
30	4260453M91	1	Guide	
31	3756982M1	1	Cap	
32	3756940M1	1	O Ring	

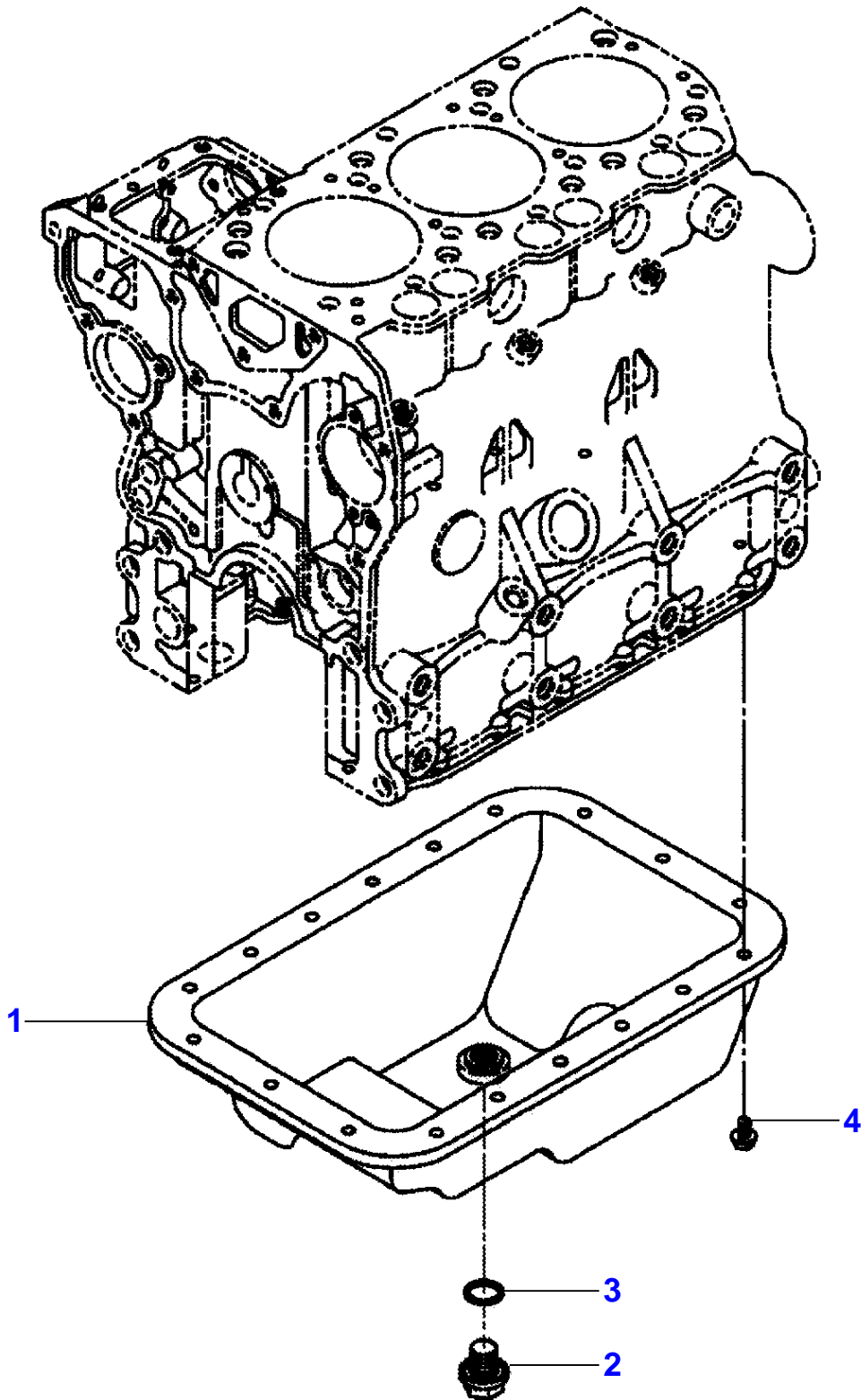
3-IS06-001-A



Connecting Rod Bearings - Optional

Item	Part Number	Qty	Description
1	3710574M91	1	Bearing
	3710577M91	1	Bearing
2	3710580M1	2	Bearing Thrust
3	4266964M1	3	Bearing
	4266969M1	3	Bearing

3-IS07-011-A



Massey Ferguson

MF 1230 COMPACT TRACTOR - |---> MP5006 - 3906020

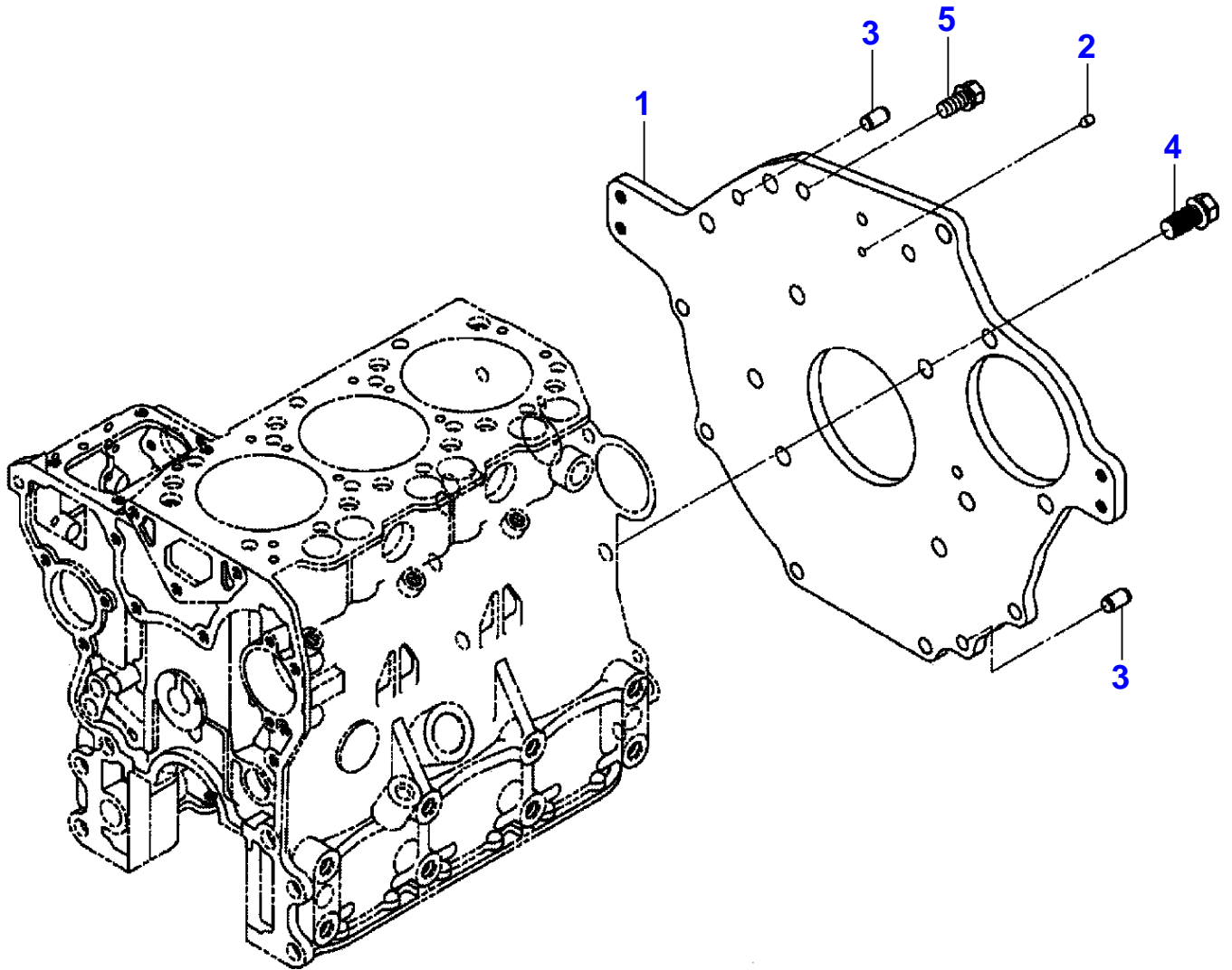
3906020

Crankcase

Page010-0035

Item	Part Number	Qty	Description
1	3710569M91	1	Sump
2	4266264M1	1	Plug
3	3708620M1	1	O Ring
4	4267404M1	18	Bolt

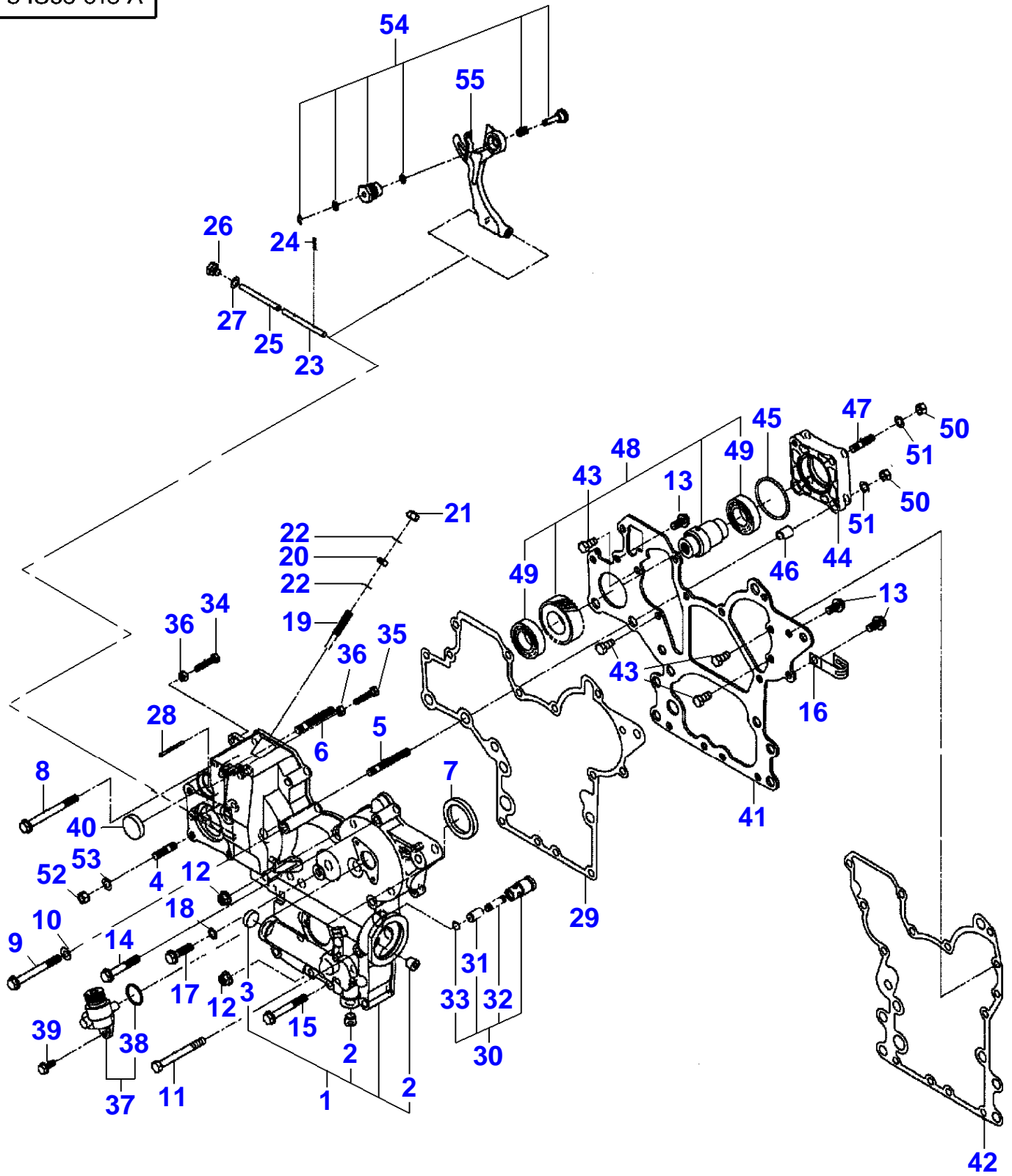
3-IS05-025-A



Cylinder Block - Rear Plate

Item	Part Number	Qty	Description
1	3608250M1	1	Plate
2	3756977M1	1	Pointer
3	3757959M1	2	Pin
4	3710768M1	6	Bolt
5	3704342M1	2	Bolt

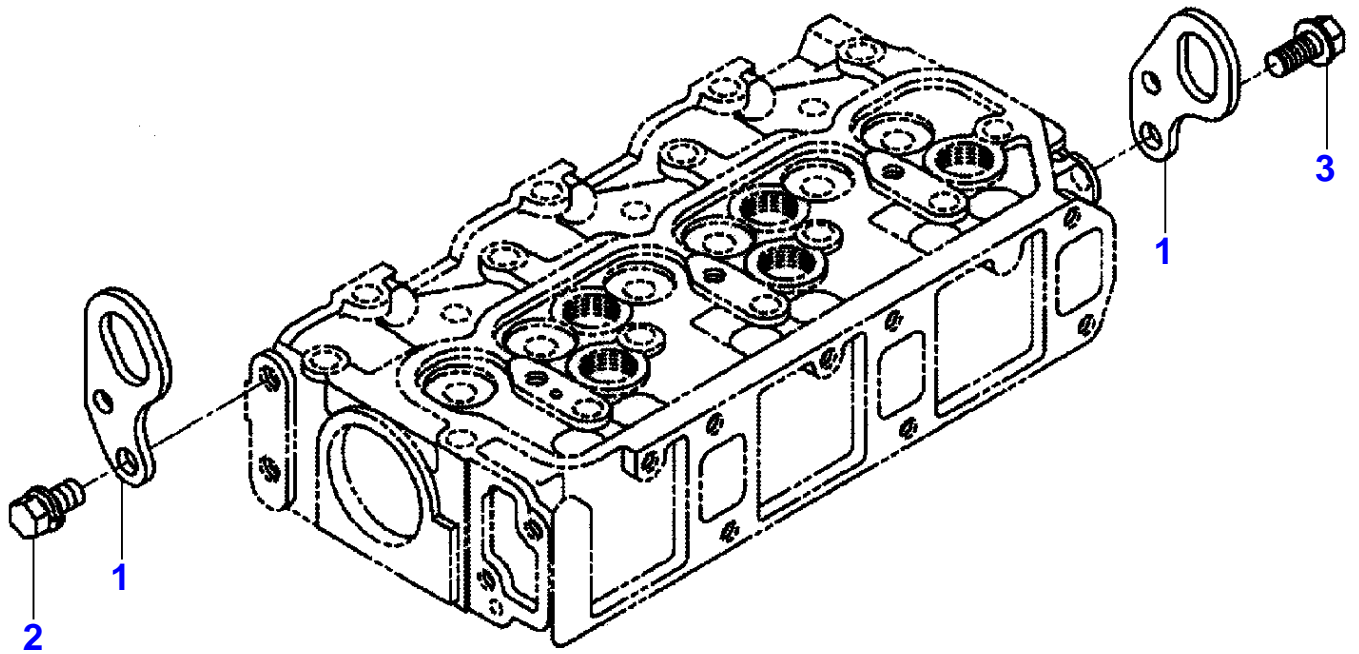
3-IS09-018-A



Timing Gear Housing

Item	Part Number	Qty	Description	Comments
1	4266009M91	1	Gear Case Assy.	
2	3710541M1	2	Plug	(1)
3	3710543M1	1	Cup	(1)
4	3704353M1	4	Stud	
5	3704354M1	2	Stud	
6	3710484M1	1	Stud	
7	3710133M1	1	Oil Seal	
8	4267576M1	1	Bolt	
9	4267575M1	1	Bolt	
10	4265990M1	1	Washer	
11	3606214M1	1	Bolt	
12	4260467M1	2	Nut	
13	4267566M1	3	Bolt	
14	4267572M1	3	Bolt	
15	4267574M1	4	Bolt	
16	3702604M1	1	Clamp	
17	4267569M1	1	Bolt	
18	3756923M1	1	Washer	
19	3710404M2	1	Stop	
20	3710125M1	1	Nut	
21	3708581M1	1	Cap Nut	
22	3758721M1	2	Packing	
23	3710400M1	1	Pin	
24	3754238M1	2	Pin	
25	3710401M2	1	Pin	
26	4266261M1	1	Plug	
27	3756923M1	1	Washer	
28	3710135M1	1	Pin	
29	3710565M2	1	Gasket	
30	3605696M92	1	Pressure Valve	
31	3605697M2	1	Piston	(31)
32	3710279M1	1	Spring	(32)
33	3711702M1	1	Ring	(33)
34	3710119M1	1	Bolt	
35	3710120M1	1	Bolt	
36	3710489M1	2	Nut	
37	3606142M92	1	Angle Trans.	
38	3708632M1	1	O Ring	(37)
39	4267406M1	2	Bolt	
40	3710083M1	1	Blank Cover	
41	3710564M3	1	Plate	
42	3710566M2	1	Gasket	
43	3710482M1	4	Bolt	
44	3710169M1	1	Spacer	
45	3708634M1	1	O Ring	
46	3710137M2	2	Pin	
47	3704353M1	1	Stud	
48	3607143M92	1	Shaft	
49	339064X1	2	Bear. 6005	(48)
50	3704361M1	4	Nut	
51	353446X1	4	Lock Washer	
52	3704361M1	4	Nut	
53	353446X1	4	Lock Washer	
54	4266249M91	1	Adaptor	
55	3710396M3	1	Arm	

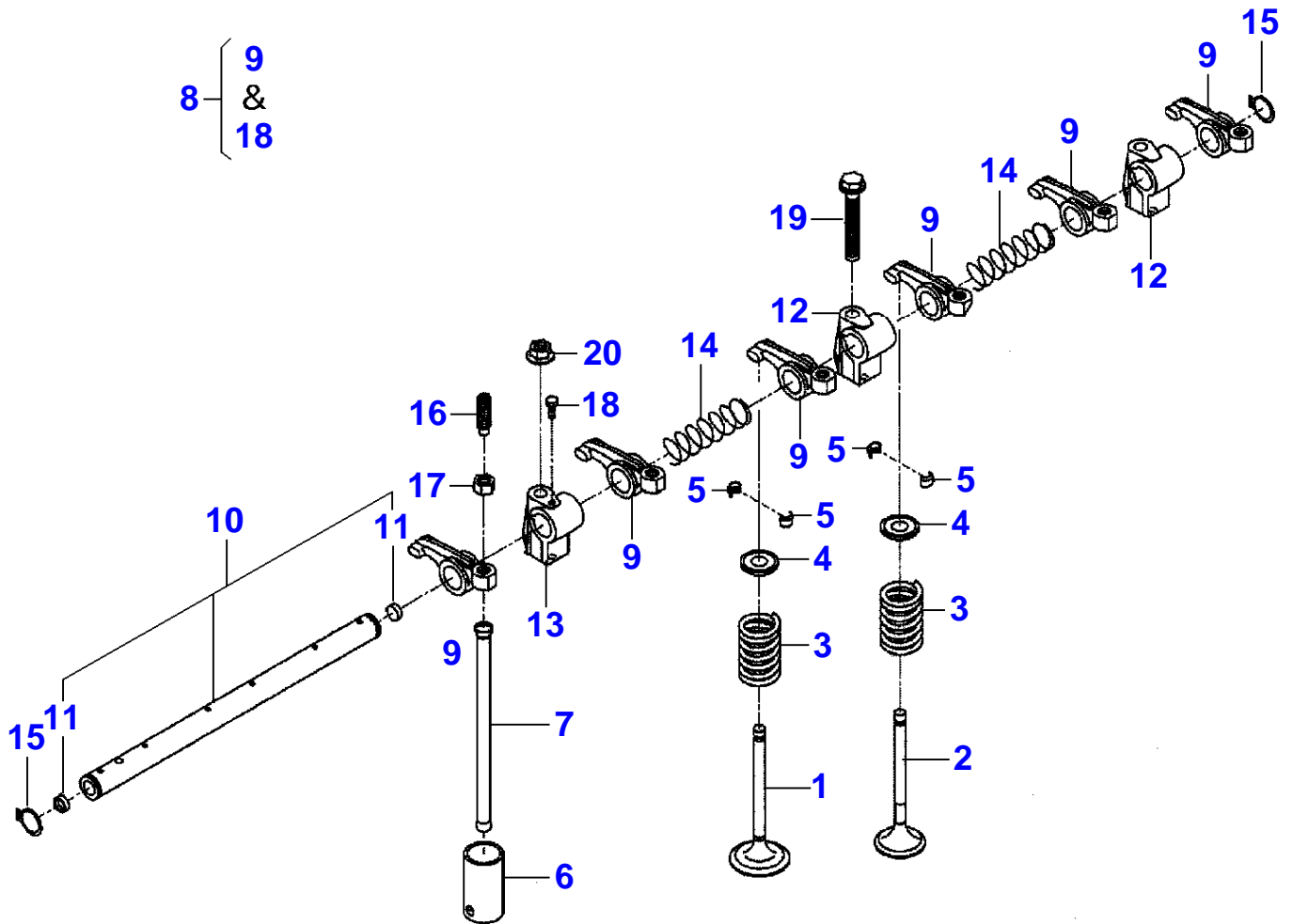
3-IS10-011-A



Hanger

Item	Part Number	Qty	Description
1	3710190M3	2	Hanger
2	3704341M1	1	Bolt
3	4268574M1	1	Bolt

3-IS11-012-A



Rocker Shaft And Valves

Item	Part Number	Qty	Description	Comments
1	4266230M2	3	Valve Inlet	
2	3710621M1	3	Valve Exhaust	
3	3710622M1	6	Spring	
4	3710254M1	6	Seat	
5	3710255M1	12	Cotter	
6	3710623M3	6	Tappet	
7	3710624M1	6	Pushrod	
8	3710625M92	1	Rocker Shaft Ass	
9	3710260M1	6	Rockerarm	(8)
10	3710627M92	1	Rocker Shaft Ass	(8)
11	3710264M1	2	Plug	(10)
12	3605679M2	2	Bracket	(8)
13	3605680M2	1	Bracket	(8)
14	3710138M1	2	Spring	(8)
15	3702421M1	2	Ring	(8)
16	3710261M1	6	Adjusting Screw	(8)
17	3710126M1	6	Nut	(8)
18	3710108M1	1	Bolt	(8)
19	4267573M1	1	Bolt	
20	4260467M1	2	Nut	



Suggest:

If the above button click is invalid.

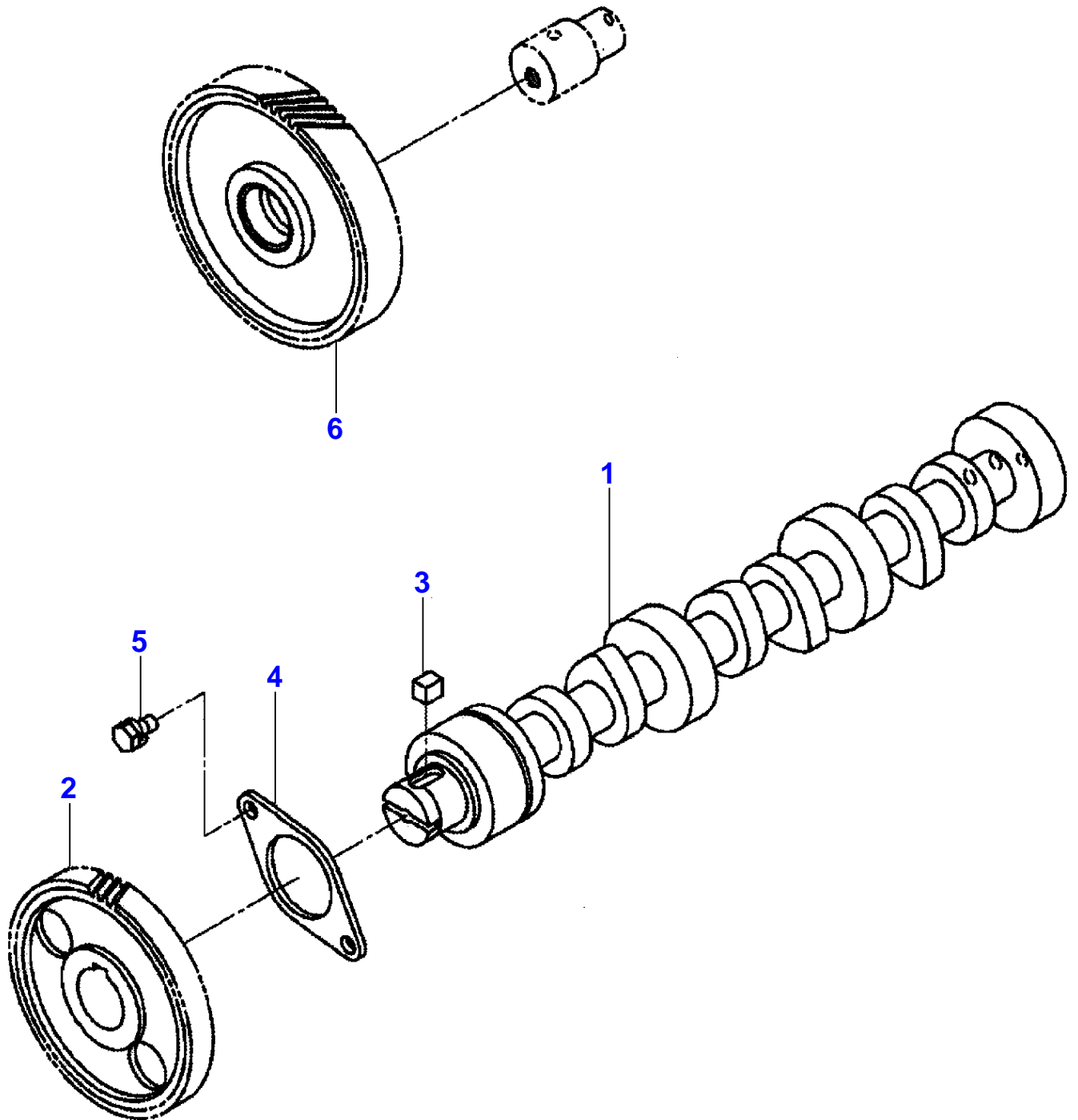
Please download this document

first, and then click the above link

to download the complete manual.

Thank you so much for reading

3-IS12-011-A



<https://www.ebooklibonline.com>

Hello dear friend!

Thank you very much for reading.

Enter the link into your browser.

The full manual is available for immediate download.

<https://www.ebooklibonline.com>