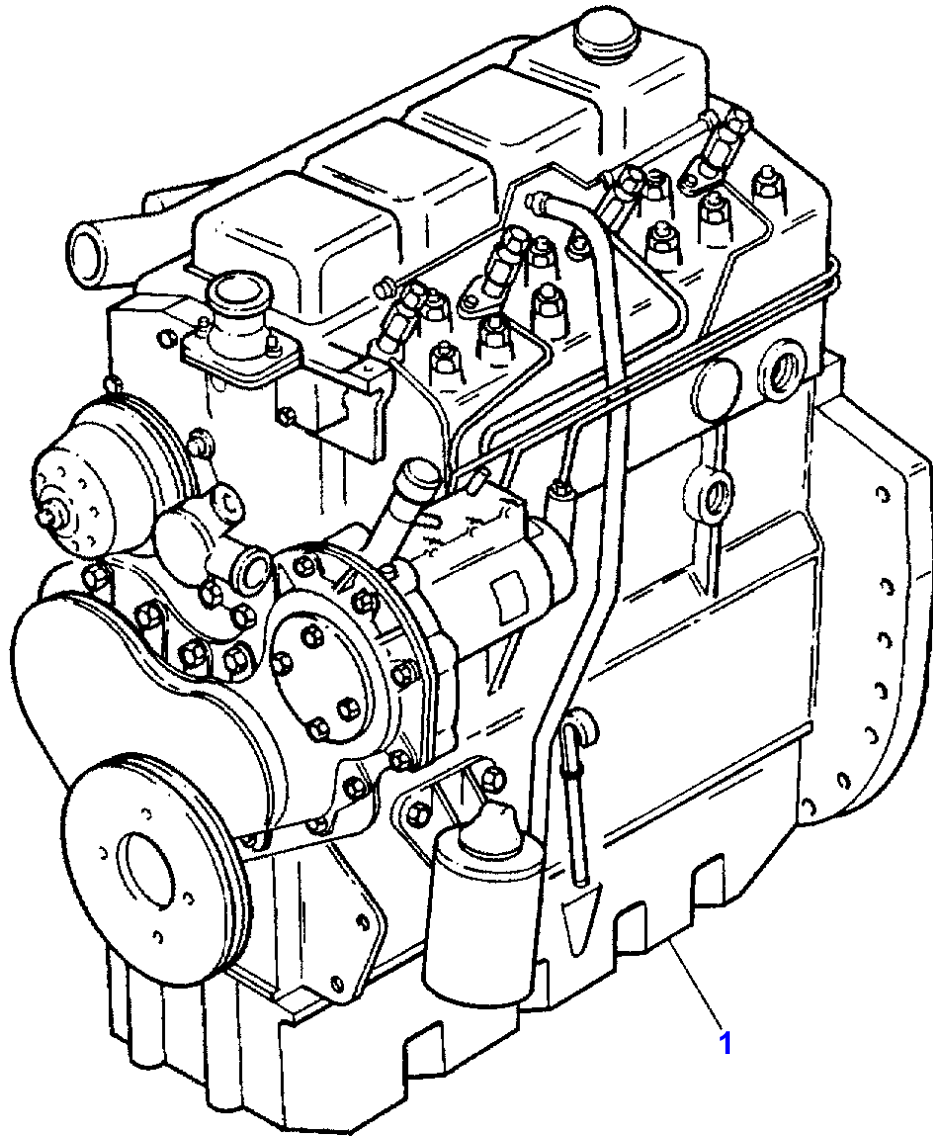


Page Title	Page Number
ENGINE ASSEMBLY-A4.248 ENGINE	1
SHORT ENGINE-TABLE PK ACEL9308	2
CYLINDER BLOCK-A4.248 ENGINE	3
CRANKSHAFT, PISTONS AND CONNECTING RODS-A4.248 ENGINE	4
CYLINDER HEAD-A4.248 ENGINE	5
ROCKER SHAFT-A4.248 ENGINE	6
TIMING GEAR AND CAMSHAFT-A4.248 ENGINE	7
BALANCER UNIT-A4.248 ENGINE	8
FUEL INJECTION EQUIPMENT-A4.248 ENGINE	9
LUBRICATING OIL SUMP-A4.248 ENGINE	10
LUBRICATING OIL FILTER AND INTEGRAL COOLER-A4.248 ENGINE	11
WATER PUMP, THERMOSTAT AND HEAT EXCHANGER-A4.248 ENGINE	12
FUEL SYSTEM AND FILTER-A4.248 ENGINE	13
AIR INDUCTION AND EXHAUST SYSTEM-A4.248 ENGINE	14
ALTERNATOR POSITIONER-A4.248 ENGINE	15
JOINTS AND GASKETS-A4.248 ENGINE	16
ALTERNATOR-LUCAS	17
ALTERNATOR-VALEO TYPE	18
ALTERNATOR-ISKRA TYPE	19
STARTER MOTOR-MARELLI	20
STARTER MOTOR-ISKRA TYPE	21
STARTER MOTOR-BOSCH	22
COOLING SYSTEM-FAN AND HOSES	23
COOLING SYSTEM-RADIATOR AND BRACKET	24
FUEL SYSTEM	25
FUEL TANK-TANK STD	26
AIR FILTER	27
DRY AIR FILTER-DRY AIR CLEANER	28
EXHAUST SYSTEM	29
EXHAUST SYSTEM	30
THROTTLE CONTROLS	31
INSTRUMENT PANEL-CENTRAL ELECTRICAL EQUIPEMENT.	32
INSTRUMENT PANEL-POINTERS	33
BATTERY BATTERY CASE	34
ELECTRONIC HARNESS-CENTRAL ELECTRICAL EQUIPEMENT.	35
ELECTRICAL WIRING-REAR	36
SENSORS HARNESS-FRONT	37
LIGHTING EQUIPMENT-LIGHTS	38
CLUTCH-LUK - 11	39
CLUTCH-O.M.G. - 11	40
CLUTCH CONTROL-UP TO SERIAL NUMBER A32046	41
CLUTCH PEDAL AND LINKAGE-FROM SERIAL NO. A32047	42
CLUTCH CONTROL-CLUTCH SHAFT BRAKING SISTEM WITH STANDARD TRAN	43
CLUTCH PEDAL AND LINKAGE-CLUTCH SHAFT BRAKING SISTEM WITH STANDARD TRAN	44
CLUTCH CONTROL-CLUTCH SHAFT BRAKING SISTEM WITH SHUTTLE VERSI	45
CLUTCH PEDAL AND LINKAGE-CLUTCH SHAFT BRAKING SISTEM WITH SHUTTLE VERSI	46
CENTRE AXLE HOUSING AND TRANSMISSION HOUSING	47
CENTRE AXLE HOUSING AND TRANSMISSION HOUSING	48
TRANSFER GEAR BOX-CONTROL COVER	49
TRANSMISSION	50
TRANSMISSION	51
TRANSMISSION CONTROL-DRIVING LEVER AND COVER HOUSING	52
TRANSMISSION CONTROL-STANDARD VERSION	53
TRANSMISSION-SHUTTLE AND CREEPER VERSION	54
REDUCER CONTROL OPZIONS-SHUTTLE AND CREEPER VERSION	55
TRANSMISSION CONTROL-SHUTTLE AND CREEPER VERSION	56
TRANSMISSION-OVERDRIVE AND SHUTTLE VERSION	57
REDUCER CONTROL OPZIONS-OVERDRIVE AND SHUTTLE VERSION	58
TRANSMISSION CONTROL-OVERDRIVE AND SHUTTLE VERSION	59
PTO SHAFT-STANDARD TYPE	60
PTO SHAFT-540/750/1000 R.P.M.	61
REAR AXLE	62
BRAKE AND CONTROLS	63
BRAKE AND CONTROLS	64
STEERING CLUTCH	65
STEERING CLUTCH-PIPINGS	66

TABLE OF CONTENT

STEERING CLUTCH	67
STEERING CLUTCH-DRIVING LEVER	68
STEERING CLUTCH-PIPINGS	69
ACCESSORIES MISCELLANEOUS	70
BRAKES	71
TRACK ADJUSTER	72
TRACK CHAIN-TRACK CHAIN	73
SUSPENSION TRACK CHAIN-FRONT - REAR	74
SUSPENSION TRACK CHAIN-TRACK CARRIER	75
UPPER ROLLER	76
LOWER ROLLER	77
HYDRAULIC EQUIPMENT	78
HYDRAULIC EQUIPMENT-HEAT EXCHANGER	79
HYDRAULIC PUMP-BOSCH	80
HYDRAULIC PUMP-TUROLLA	81
HYDRAULIC LIFT VALVE	82
HYDRAULIC LIFT	83
HYDRAULIC LIFT	84
MECHANICAL CONTROL LIFT	85
MECHANICAL CONTROL LIFT	86
AUXILIARY HYDRAULIC VALVE LINES	87
AUXILIARY HYDRAULIC VALVE LINES-2 OR 3 DISTRIBUTORS	88
CONTROL VALVE-O.M.C. TYPE	89
AUXILIARY HYDRAULICS VALVE-STANDARD TYPE	90
AUXILIARY HYDRAULICS VALVE-FLOATING	91
AUXILIARY HYDRAULIC VALVE LINES	92
AUXILIARY HYDRAULIC VALVE LINES-2 OR 3 DISTRIBUTORS	93
AUXILIARY HYDRAULICS VALVE STANDARD-TILL TYPE	94
AUXILIARY HYDRAULICS FLOATING-TILL TYPE	95
AUXILIARY HYDRAULIC VALVE LINES	96
AUXILIARY HYDRAULIC VALVE LINES-2 OR 3 DISTRIBUTORS	97
CONTROL VALVE-HIDROIRMA TYPE.	98
AUXILIARY HYDRAULICS VALVE STANDARD-HIDROIRMA TYPE.	99
AUXILIARY HYDRAULICS FLOATING-HIDROIRMA TYPE.	100
LINKAGE	101
SHEET METAL-UP TO SERIAL NUMBER B08111	102
SHEET METAL-FROM SERIAL NO. B08112	103
SHEET METAL-UP TO SERIAL NUMBER B08111	104
SHEET METAL-FROM SERIAL NO. B08112	105
SHEET METAL-BRACKETS AND ASSEMBLING PARTS	106
DECALS-	107
DECALS-	108
FENDERS AND PLATFORM	109
GUARDS-TRACK ROLLERS GUARDS	110
REAR SHEET METAL	111
SAFETY FRAME	112
SEAT-STANDARD TYPE	113
SEAT-LUX TYPE	114
SEAT-STANDARD VERSION	115
SEAT-LUX TYPE	116
WEIGHT FRAME AND WEIGHTS W-FRONT HOOK	117
REAR HOOK-FOR ITALY	118
DRAWBAR-	119
TOOL KIT-	120



<https://www.ebooklibonline.com>

Hello dear friend!

Thank you very much for reading.

Enter the link into your browser.

The full manual is available for immediate download.

<https://www.ebooklibonline.com>

MASSEY FERGUSON

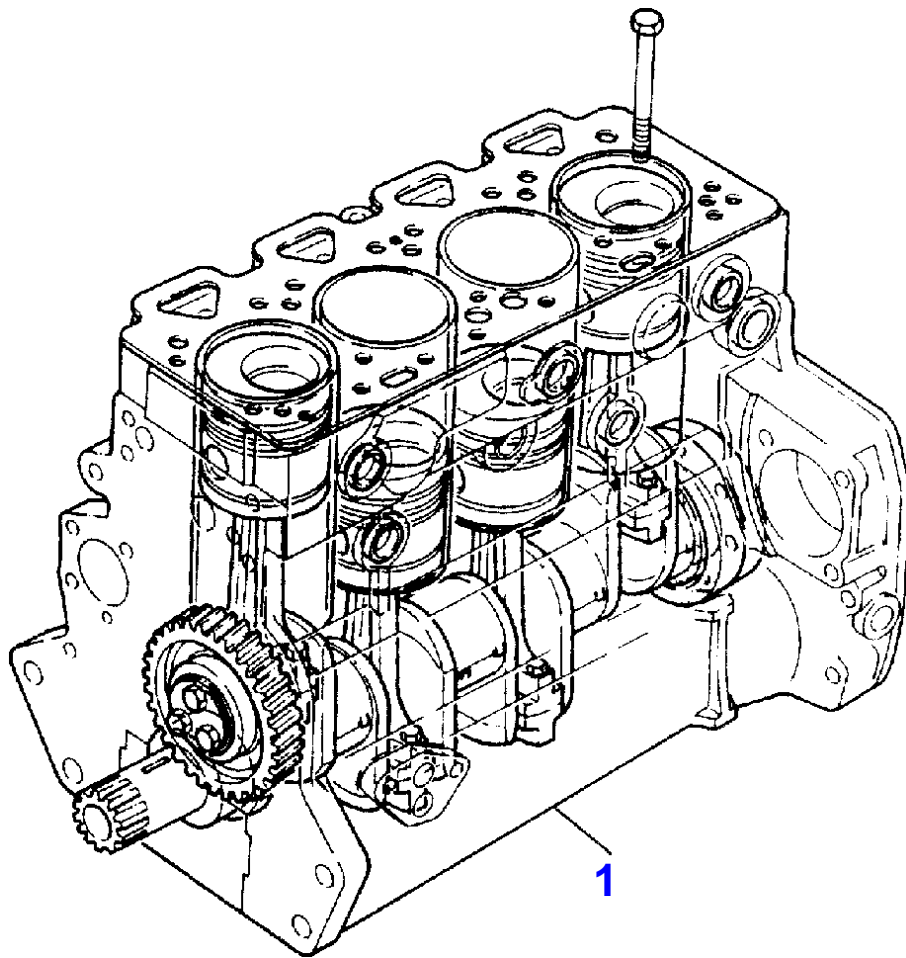
MF 396 CF CRAWLER (IT) - 3311792

3311792

ENGINE ASSEMBLY-A4.248 ENGINE

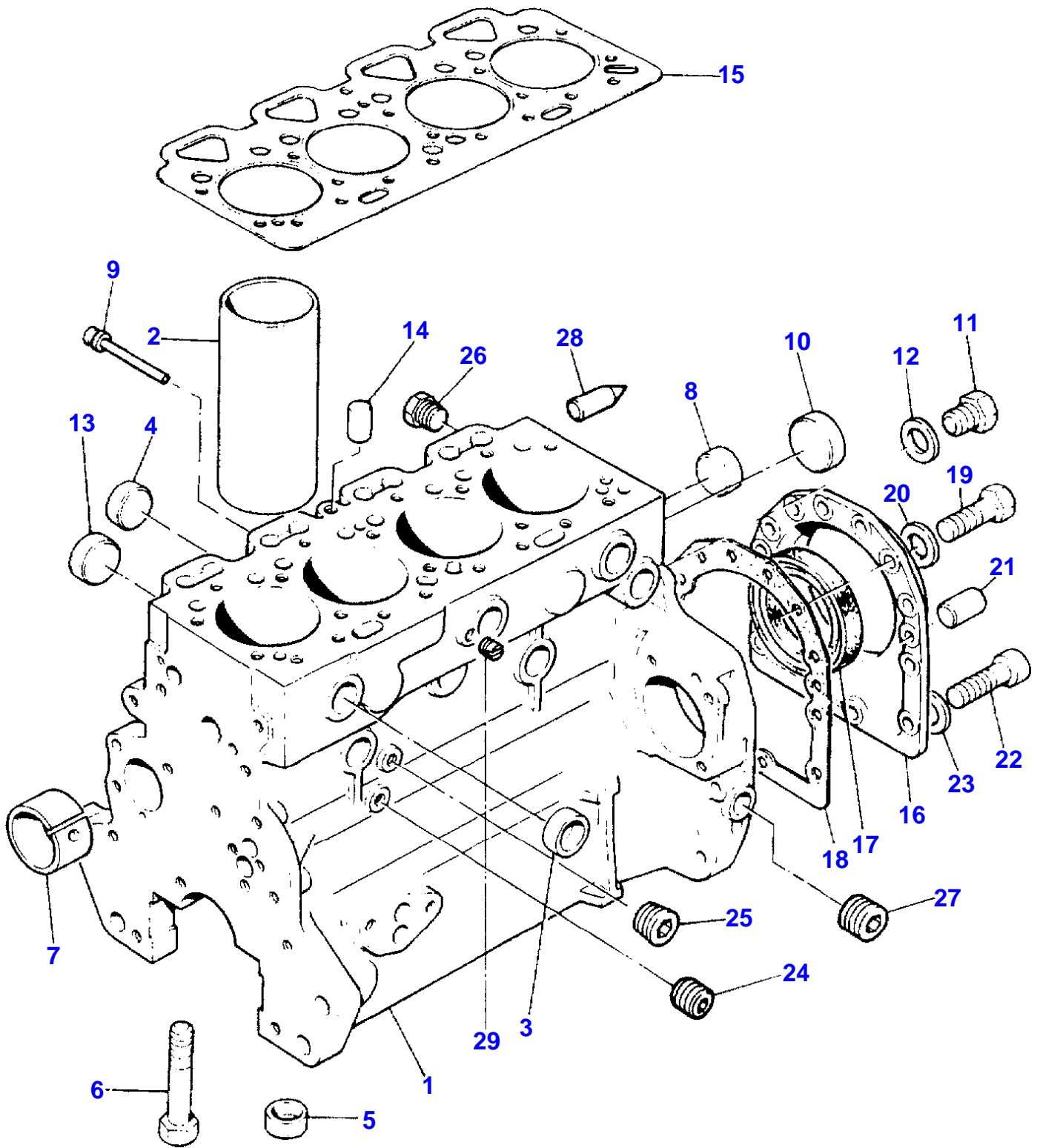
1

Item	Part Number	Qty	Description	Comments
1	3553132M91	1	Engine	"LF31204"



SHORT ENGINE-TABLE PK ACEL9308

Item	Part Number	Qty	Description	Comments
1	LF39335	1	SHORT ENGINE	
2		1	HOUSING	[A] (1)
		4	LINER	(1)
		1		(1)
		4	PISTON	(1)
		4		(1)
		4	CONROD	(1)
		10		(1)
		8		(1)
		4	WASHER	(1)
		1	SEAL	(1)
		1	HOUSING	(1)
		22	BOLT	(1)
		1	GASKET	(1)
			[A]	
			COMPLETE WITH PLUGS	



CYLINDER BLOCK-A4.248 ENGINE

Item	Part Number	Qty	Description	Comments
				[X] . 1. 2. 4
1	ZZ50227	1	Cylinder Block	
2	3135X033	4	Liner	[A, X] (1) . . 4. 8
2	3135X034	X	Liner	[B, X] . 4. 4. 8
3	0650710	6	Plug	(1)
4	32418122	4	Plug	(1)
5	33142111	10	Thimble	(1)
6	32166329	10	Bolt	(1)
7	31134165	1	BUSH	(1)
8	0650710	2	Plug	(1)
9	2485A204	1	Plug	(1)
10	32416119	1	PLUG	(1)
11	32168212	1	PLUG	(1)
12	3311R003	1	Washer	(1)
13	32416118	4	PLUG	(1)
14	32417134	1	Plug	(1)
15	3681E034	1	GASKET	[X] . 1. 2. 4
16	4142V064	1	Housing	
17	2418F475	1	Seal	[X] (16) . 1. 4. 8
18	3681T012	1	GASKET	
19	0746211	10	Bolt	
20	390972X1	10	Washer Metric	
21	0350009	2	Dowel	
22	2172530	2	Capscrew	
23	33112111	2	Washer	
24	0650594	1	Plug	
25	0650588	2	Plug	
26	32161114	2	Plug	
27	0650588	1	Plug	
28	32452113	1	Pointer	
29	32114143	1	Plug	

[A]

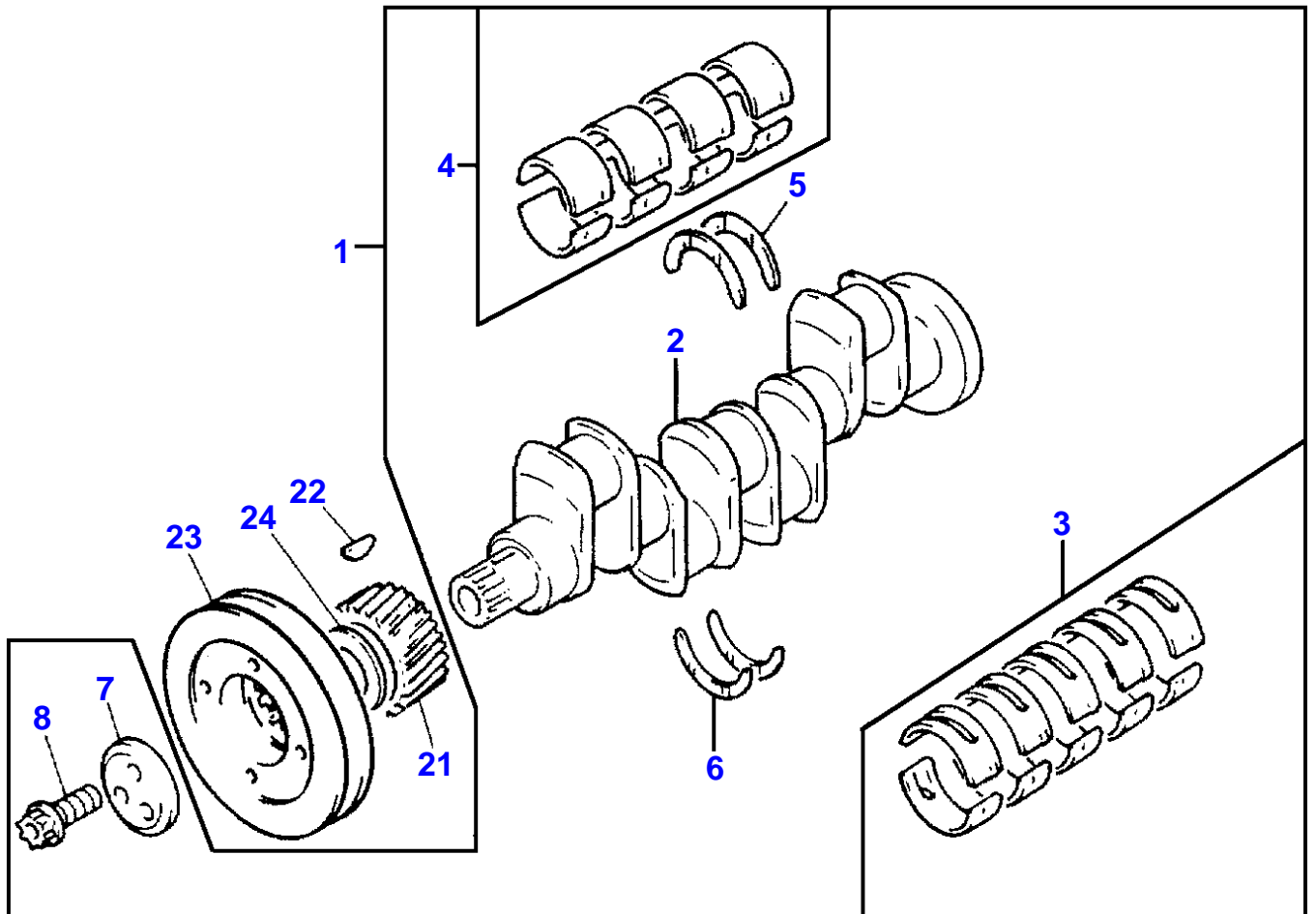
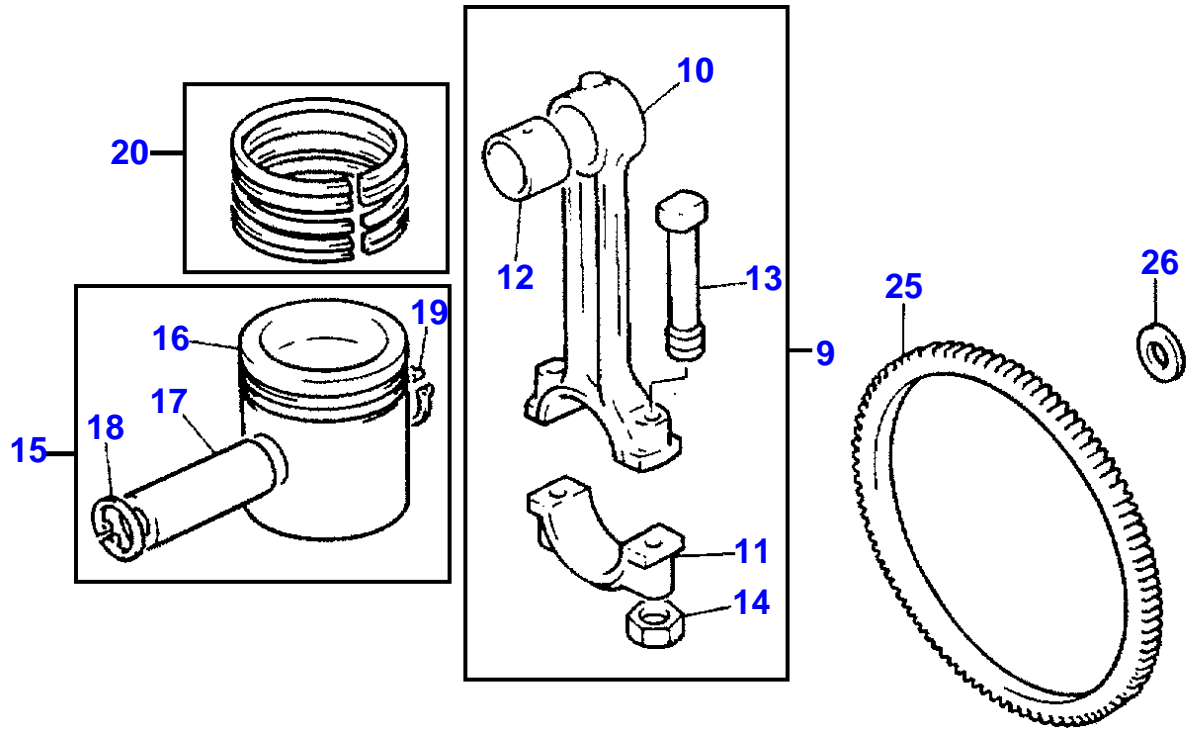
PRESS FIT

[B]

SLIP FIT

[X]

QTY PER TRACTORS SOLD (AA.BBB.CCC.DDD) (AA) FOR 1 ,(BBB) 2-10 (CCC)
11-25 (DDD) 26-50



CRANKSHAFT, PISTONS AND CONNECTING RODS-A4.248 ENGINE

Item	Part Number	Qty	Description	Comments
1	ZZ90081	1	Kit, Crankshaft	[X] . 0. 0. 1
2		1	SHAFT	[X] (1) Not serviced, order REF.1 . 0. 0. 1
3	81558	1	Kit, Bearing	[A, X] (1) . 0. 1. 2
3	81558A	X	Kit, Bearing	[A] Thickness (-)0.25MM Thickness (-)0.010
3	81558B	X	Kit, Bearing	[A] Thickness (-)0.50MM Thickness (-)0.020
3	81558C	X	Kit, Bearing	[A] Thickness (-)0.75MM Thickness (-)0.030
4	85042	1	Kit, Bearing	[A, X] (1) . . 1. 2
4	85042A	X	Kit, Bearing	[A] Thickness (-)0.25MM Thickness (-)0.010
4	85042B	X	Kit, Bearing	[A] Thickness (-)0.50MM Thickness (-)0.020
4	85042C	X	Kit, Bearing	[A] Thickness (-)0.75MM Thickness (-)0.030
5	31137551	2	Thrust Washer	[X] (1) . 0. 2. 4
5	31137312	X	Thrust Washer	Thickness (+)0.19MM Thickness (+)0.0075
6	31137561	2	Thrust Washer	[X] (1) . 0. 2. 4
6	31137322	X	Thrust Washer	Thickness (+)0.19MM Thickness (+)0.0075
7	3242T001	1	Thrust Block	[D]
8	32186139	3	Screw	[D]
9		4		[X] . 0. 4. 8
10		1	CONROD	[X] (9) Not serviced, order REF.9 . 0. 4. 8
11		1	STIRRUP	(9) Not serviced, order REF.9
12	31134123	1	Bush	[X] (9) . 0. 4. 8
13	32762144	2	Bolt	[X] (9) . 0. 8. 16
14	33221328	2	Nut	[X] (9) . 0. 8. 16
15	U5LU0005	4	Kit, Piston	[B, X] . 0. 4. 8
15	U5LP0009	4	Kit, Piston	[C]
16		1	PISTON	(15) Not serviced, order REF.15
17		1	PIN	(15) Not serviced, order REF.15
18	0170002	1	Circlip	(15)
19	0170002	1	Circlip	(15)
20	41158022	4	Kit, Piston Ring	[X] . 0. 4. 8
21	31171681	1	Gear,Crankshaft	[X] Number of teeth/spines 28 . 1. 2. 4
22	0500012	1	Woodruff Key	
23	31148798	1	Pulley,Crank	
24	33125416	1	Washer	
25	3552228M1	1	CROWNWHEEL	Number of teeth/spines 115
26	33117127	6	Washer	

MASSEY FERGUSON

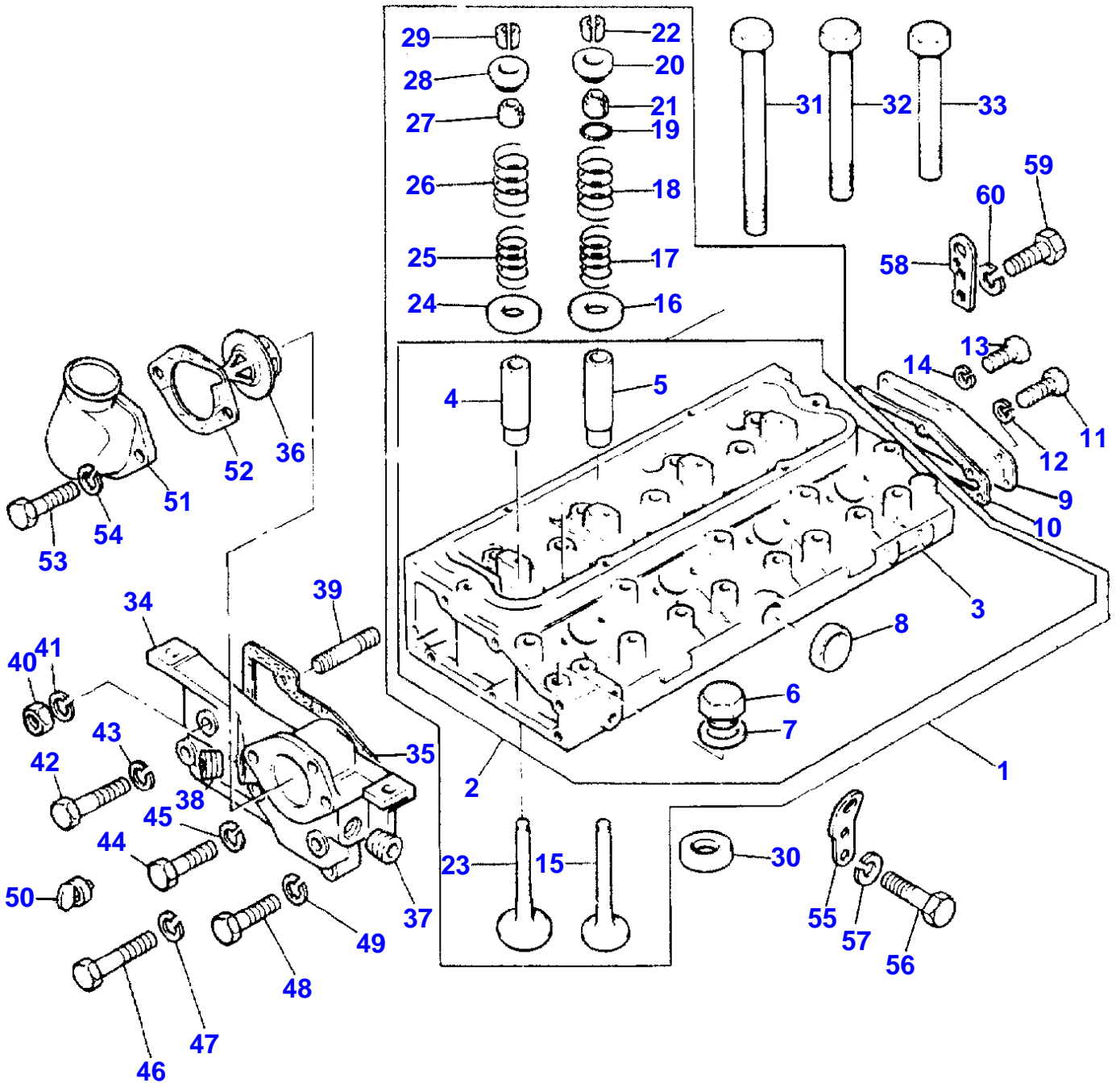
MF 396 CF CRAWLER (IT) - 3311792

3311792

CRANKSHAFT, PISTONS AND CONNECTING RODS-A4.248 ENGINE

4

Item	Part Number	Qty	Description	Comments
				[A] PRE-FINISHED
				[C] PRE-TOPPED
				[B] UNTOPPED
				[X] QTY PER TRACTORS SOLD (AA.BBB.CCC.DDD) (AA) FOR 1 ,(BBB) 2-10 (CCC) 11-25 (DDD) 26-50
				[D] NOT SUPPLIED WITH ASSEMBLY



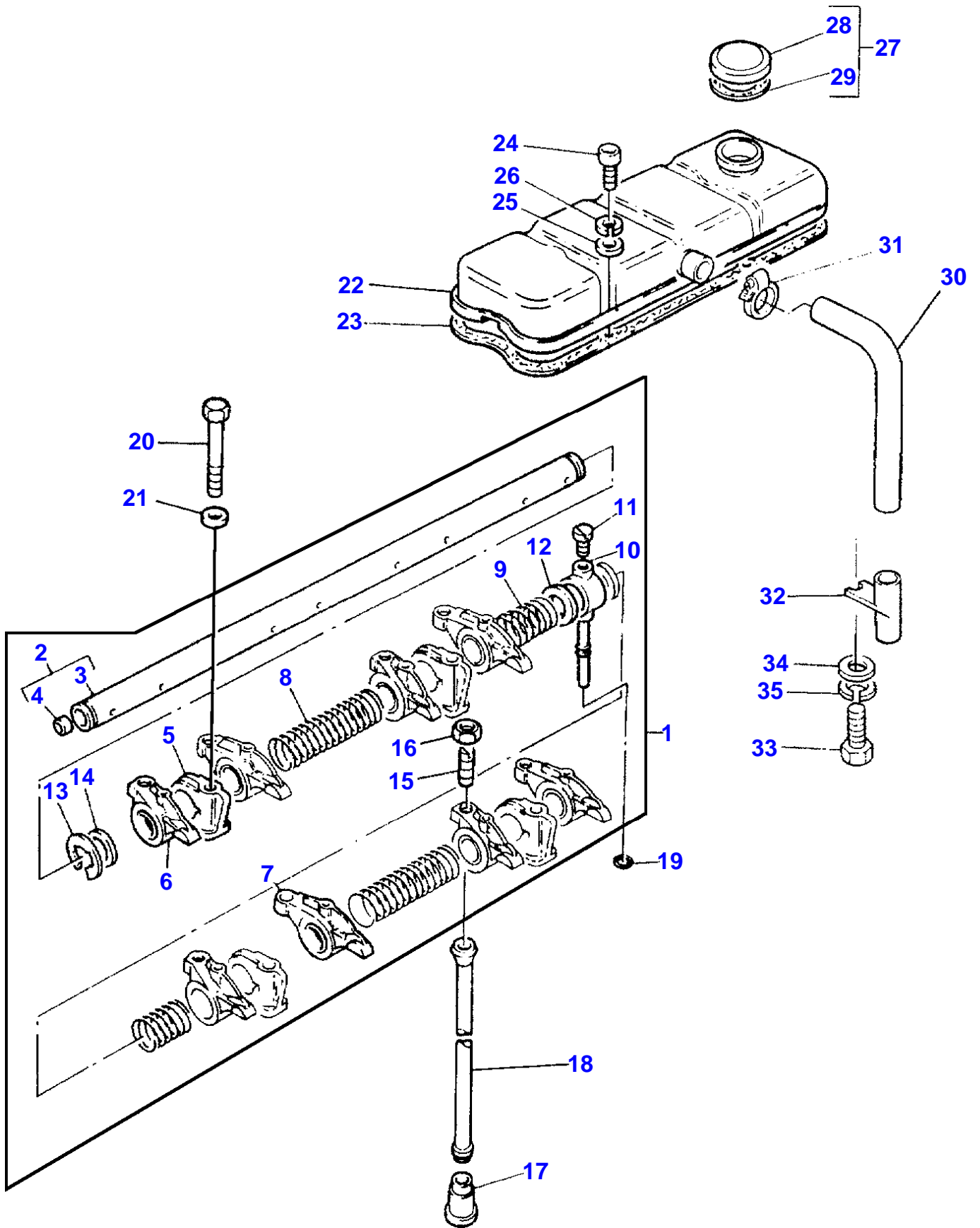
CYLINDER HEAD-A4.248 ENGINE

Item	Part Number	Qty	Description	Comments
1	ZZ80175	1	CYLINDER HEAD	
2	ZZ80176	1	CYLINDER HEAD	[X] (1)
3		1	BODY	. 0. 0. 1 (2) Not serviced, order REF.2
4		4	GUIDE	(2) . 0. 4. 8
5	3343J002	4	Guide	[X] (2) . 0. 4. 8
6	0650203	1	Plug	[X] (2)
7	2411157	1	Washer	(2)
8	0650710	1	Plug	(2)
9	3623K007	1	Plate	
10	3687M018	1	GASKET	
11	0746452	2	Setscrew	
12	0920054	2	Washer	
13	2183205	4	Screw	
14	0920053	4	Washer	
15	31431881	4	Valve Exhaust	[D, X] Alternative 31431886 . 0. 4. 8
15	3142A052	4	Valve Exhaust	[C] (1)
16	33415118	4	Washer	[X] (1) . 4. 8. 16
17	31744131	4	Spring	[X] (1) . 4. 8. 16
18	31745121	4	Spring	[X] (1) . 4. 8. 16
19	2415B201	4	O Ring	[X] (1) . 0. 4. 8
20	33817117	4	Seal	[X] (1) . 0. 4. 8
21	33423147	4	Cap	[X] (1) . 0. 4. 8
22	33173108	8	Cotter	[A, X] (1) . 0. 4. 8
23	31431641	4	Valve Inlet	[X] (1) . 0. 4. 8
24	33415118	4	Washer	[X] (1) . 0. 4. 8
25	31744131	4	Spring	[X] (1) . 0. 4. 8
26	31745121	4	Spring	[X] (1) . 0. 4. 8
27	33817117	4	Seal	[X] (1) . 0. 4. 8
28	33423147	4	Cap	[X] (1) . 0. 4. 8
29	33173108	8	Cotter	[A, X] (1) . 0. 4. 8
30	33152153	4	Insert	[X] . 1. 2. 6
31	32166337	2	Screw	
32	32166338	12	Bolt	
33	32166339	8	Screw	
34	37762705	1	Body	
35	3545576M1	1	BODY	[E]
35	3685F005	1	GASKET	[X] . 2. 4. 8
36	2485659	1	Thermostat	[X] . 1. 2. 6
37	2431154	1	Plug	
38	2431154	1	Plug	
39	2217202	1	Stud	
40	2188135	1	Nut	
41	0920054	1	Washer	
42	0096238	1	Bolt	
43	0920053	1	Washer	

CYLINDER HEAD-A4.248 ENGINE

Item	Part Number	Qty	Description	Comments
44	0096439	1	Bolt	
45	0920054	1	Washer	
46	2183205	2	Screw	
47	0920053	2	Washer	
48	0746459	2	SCREW	
49	0920054	2	Washer	
50	2485791	1	Pin	
51		1		[B]
52	36862225	1	GASKET	[X] . 2. 4. 16
53	0746458	2	SCREW	
54	0920054	2	Washer	
55	3648C004	1	Plate	
56	353537X1	2	Screw Unf	
57	0920054	2	Washer	
58	36177111	1	Plate	
59	353537X1	2	Screw Unf	
60	0920054	2	Washer	

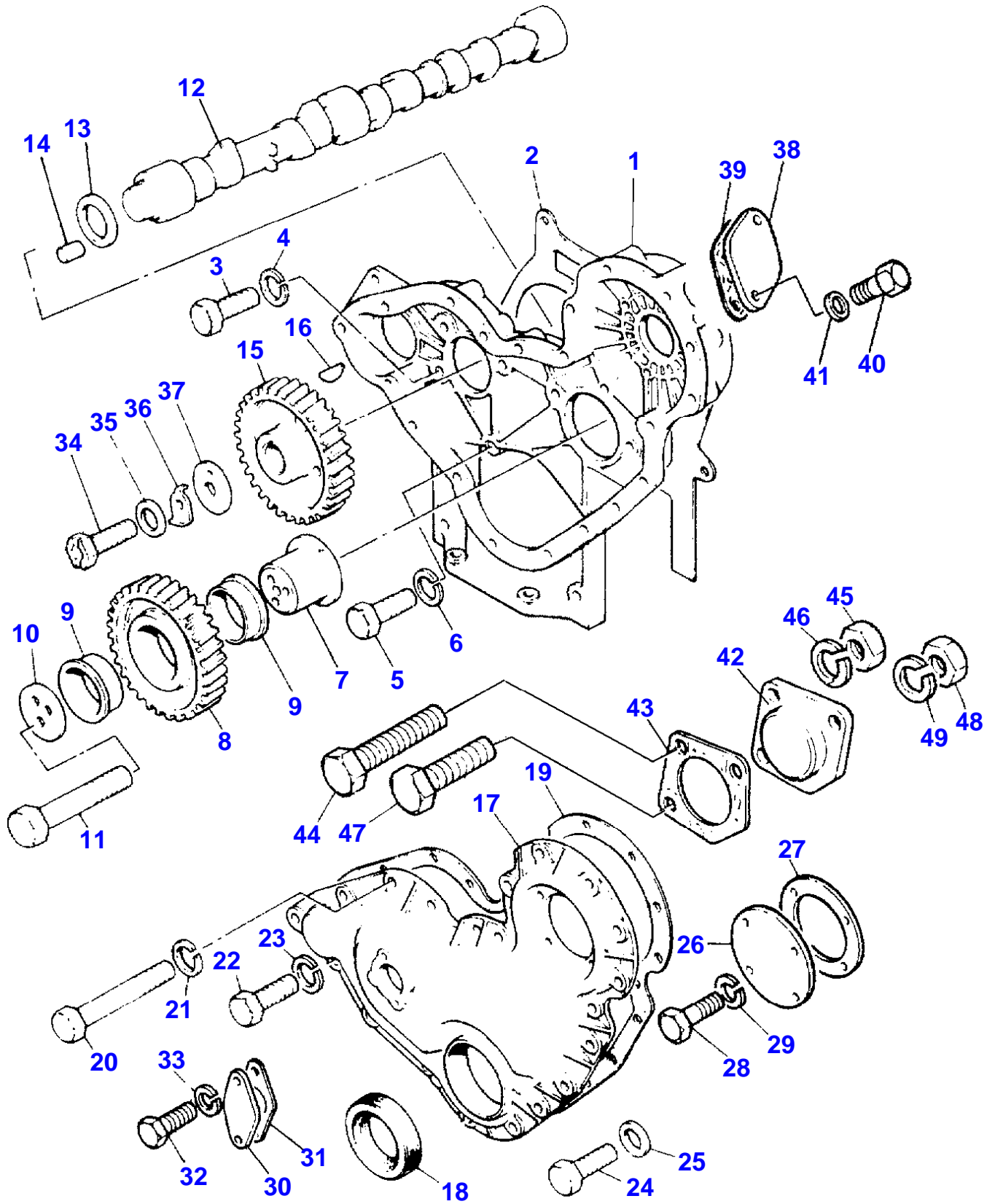
[A]
SERVICED IN PAIRS
[X]
QTY PER TRACTORS SOLD (AA.BBB.CCC.DDD) (AA) FOR 1 ,(BBB) 2-10 (CCC)
11-25 (DDD) 26-50
[E]
WITH CONDITIONED AIR
[C]
REMOVE AND FIT 31431881
[D]
FITTED IN PLACE OF EXHAUST VALVES SUPPLIED WITH CY LINDER HEAD
ASSEMBLY
[B]
NOT SUPPLIED BY PERKINS ENGINES LIMITED.



ROCKER SHAFT-A4.248 ENGINE

Item	Part Number	Qty	Description	Comments
1	ZZ90158	1	SHAFT	[X] . 0. 1. 2
2	ZZ90032	1	Rocker Shaft	[X] (1) . 0. 1. 2
3		1	ROD	(2) Not serviced, order REF.2
4	0650507	1	Plug	[X] (1) . 0. 2. 4
5	3818X901	4	Bracket	(1)
6	41151484	4	LEVER	(1) Right Hand
7	41151483	4	LEVER	(1) Left Hand
8	31744123	2	Spring	(1)
9	31743108	2	Spring	(1)
10	3775E012	1	Connection	[B] (1)
11	2231236	1	Setscrew	[C] (1)
	2233022	1	Screw	[D] (1)
12	33117426	2	Shim	(1)
13	0170151	2	Circlip	(1)
14	33117434	2	Washer	(1)
15	0720579	8	Screw	(1)
16	0576052	8	Nut	(1)
17	3142U031	8	TAPPET	[X] . 0. 8. 16
18	31434307	8	Pushrod	[X] . 4. 8. 16
19	376525X1	1	Olive	
20	0096634	4	Screw	
21	0920006	4	Washer	
22	37188141	1	COVER	
23	3681A027	1	Joint	[X] . 1. 2. 6
24	2172513	4	Screw	
25	0920002	4	Washer	
26	0920052	4	Washer	
27	2487845	1	Cap	[X] . 1. 2. 4
28		1	PLUG	(27) Not serviced, order REF.27
29	24870002	1	Joint	(27)
30	33872516	1	Pipe,Breather	
31	21825195	1	Clip	
32	35731144	1	Pipe,Breather	
33	0096215	1	Screw	Up to Serial or Engine Number U226708S
	2187333	1	Screw	From Serial or Engine Number U226709S
34	390972X1	1	Washer	[A]
			Metric	
35	0920053	1	Washer	[A]

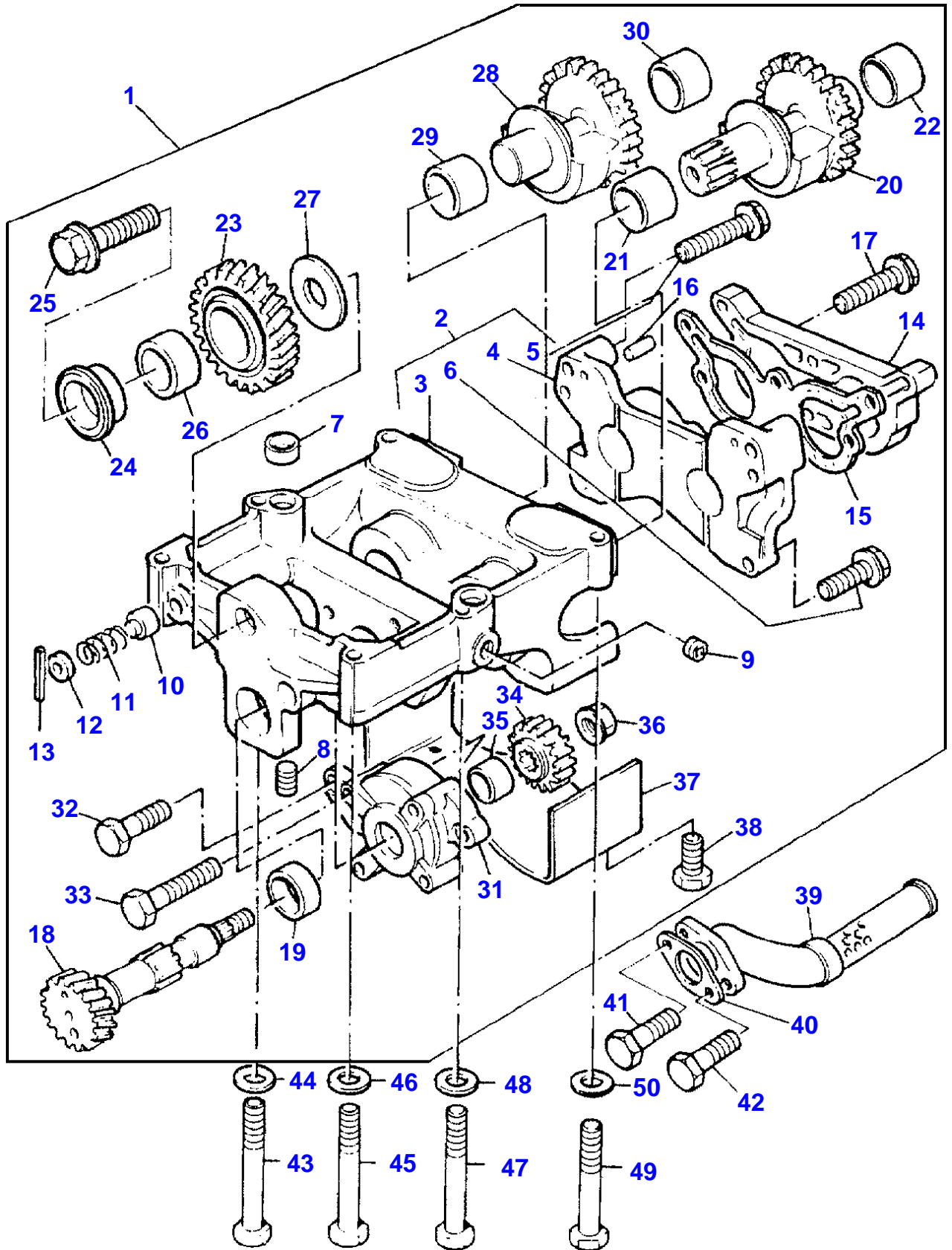
[X]
QTY PER TRACTORS SOLD (AA.BBB.CCC.DDD) (AA) FOR 1 ,(BBB) 2-10 (CCC) 11-25 (DDD) 26-50
[A]
FITTED UP TO ENGINE NUMBER U226708S
[B]
WAS 3775E011 USE 3775E012/2233022.
[C]
USED ONLY WITH 3775E011
[D]
USED ONLY WITH 3775E012



TIMING GEAR AND CAMSHAFT-A4.248 ENGINE

Item	Part Number	Qty	Description	Comments
1	37161642	1	Body	
2	36814162	1	GASKET	[X] .0. 1. 2
3	2183205	8	Screw	
4	0920053	8	Washer	
5	0746211	1	Bolt	
6	0920053	1	Washer	
7	33426161	1	Hub	
8	41115023	1	Idler	Number of teeth/spines 63
9	0050345	2	Bush	(8)
10	3241H009	1	PLATE	
11	2184634	3	Screw	
12	31415374	1	Camshaft	
13	33153121	1	Washer	
14	2116053	1	Pin	
15	3117L012	1	GEAR	Number of teeth/spines 56
16	0500012	1	Woodruff Key	
17	4142A041	1	COVER	
18	2418F436	1	Seal	[X] . 1. 2. 4
19	3681P015	1	GASKET	[X] .0. 1. 2
20	0096238	4	Bolt	
21	0920053	4	Washer	
22	2183205	10	Screw	
23	0920053	10	Washer	
24	2183205	4	Screw	
25	2411152	4	Washer	
26	3241H004	1	Plate	
27	33825427	1	GASKET	
28	2183203	4	Screw	
29	0920053	4	Washer	
30	36171121	1	Plate	
31	36833163	1	GASKET	
32	2183104	2	Screw	
33	0920052	2	Washer	
34	32161217	1	Screw	
35	33115408	1	Washer	
36	31733121	1	Washer	
37	33153128	1	Washer	
38	36235118	1	PLATE	
39	36862199	1	GASKET	
40	2183204	2	Screw	
41	0920053	2	Washer	
42	37556148	1	Plate	
43	36861466	1	GASKET	
44	0748505	1	Screw	
45	2238153	1	Nut	
46	0920054	1	Washer	
47	2232151	2	Screw	
48	2238153	2	Nut	
49	0920054	2	Washer	

[X]
QTY PER TRACTORS SOLD (AA.BBB.CCC.DDD) (AA) FOR 1 ,(BBB) 2-10 (CCC)
11-25 (DDD) 26-50



BALANCER UNIT-A4.248 ENGINE

Item	Part Number	Qty	Description	Comments
1	4111K051	1	Balancer	
	4111K051	1	Balancer	[X] . 0. 0. 1
2	4145L007	1	Frame	(1)
3		1		(2) Not serviced, order REF.2
4		1		(2) Not serviced, order REF.2
5	2315C052	4	Screw	(2)
6	2314J005	2	Screw	(2)
7	33137408	2	Thimble	(1)
8	32558314	1	Plug	(1)
9	2431A054	1	Plug	(1)
10	3272E005	1	Plunger	(1)
11	3174D004	1	Spring	(1)
12	3342A611	1	Cap	(1)
13	2116A056	1	Pin	(1)
14	3753R061	1	Cover	(1)
	3753R221	1	Cover	(1)
15	3687M006	1	Joint	(1)
16	0350042	2	Dowel	(1)
17	2315C052	4	Screw	(1)
18	3117V003	1	Shaft	(1) Number of teeth/spines 21
19	2551A009	1	Bearing Needle	(1)
20	3116K014	1	Weight	(1) Number of teeth/spines 16/38
20		1	WEIGHT	[X] . 0. 0. 1
21	2511A730	1	Bush	(1)
	2511A730	1	Bush	[X] (1) . 0. 1. 2
22	2511A730	1	Bush	(1)
23	3117C071	1	Gear,Balancer	(1) Number of teeth/spines 37
24	33451804	1	Hub	(1)
25	2314J606	1	Screw	(1)
26	2551A201	1	Bearing Needle	(1)
27	3321A002	1	Washer	(1)
28	3116K004	1	Weight	(1) Number of teeth/spines 38
28	3116K004	1	Weight	[X] . 0. 1. 2
29	2511A730	1	Bush	(1)
30	2511A730	1	Bush	(1)
31	4132F041	1	Oil Pump	(1) Repairs and replaces 4132F021
31	4132F041	1	Oil Pump	[X] . 0. 1. 2
32	2314H006	1	Screw	(1) Repairs and replaces 2315C059
33	2314H012	2	Screw	(1) Repairs and replaces 2315C053
34	3116W001	1	Gear,Balancer	(1) Number of teeth/spines 24
35	2551A014	1	Bearing Needle	(1)
36	33531136	1	Nut	(1)
37	3661K001	1	Cover	(1)
38	2314C034	4	Screw	(1)
39	3764E031	1	Pipe,Oil	
	3764E031	1	Pipe,Oil	[X] . 0. 2. 4
40	3683L002	1	Joint	
41	2314H006	1	Screw	Repairs and replaces 2315C053
42	2314H012	1	Screw	Repairs and replaces 2315C059
43	0096442	1	Bolt	
44	33115129	1	Washer	

MASSEY FERGUSON

MF 396 CF CRAWLER (IT) - 3311792

3311792

BALANCER UNIT-A4.248 ENGINE

8

Item	Part Number	Qty	Description	Comments
45	0096441	2	Bolt	
46	33115129	2	Washer	
47	0096441	1	Bolt	
48	33115129	1	Washer	
49	0096439	2	Bolt	
50	33115129	2	Washer	

[X]

QTY PER TRACTORS SOLD (AA.BBB.CCC.DDD) (AA) FOR 1 ,(BBB) 2-10 (CCC)
11-25 (DDD) 26-50



Suggest:

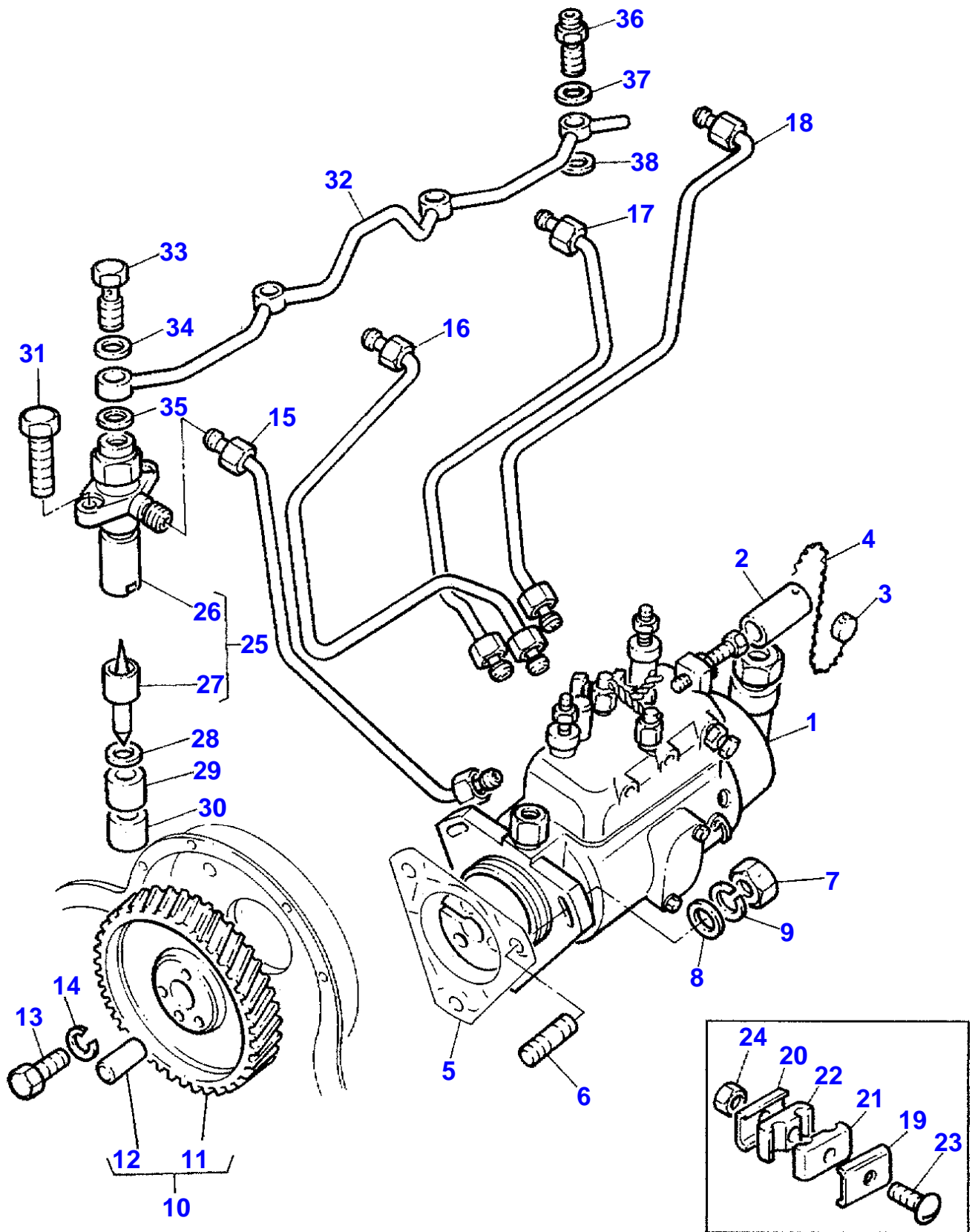
If the above button click is invalid.

Please download this document

first, and then click the above link

to download the complete manual.

Thank you so much for reading



<https://www.ebooklibonline.com>

Hello dear friend!

Thank you very much for reading.

Enter the link into your browser.

The full manual is available for immediate download.

<https://www.ebooklibonline.com>