

Page Title	Page Number
ENGINE ASSEMBLY-T4.236 ENGINE	1
SHORT ENGINE-T4.236 ENGINE	2
KIT ENGINE OVERHAUL	3
CYLINDER BLOCK-T4.236 ENGINE	4
CRANKSHAFT, PISTONS AND CONNECTING RODS-T4.236 ENGINE	5
CYLINDER HEAD-T4.236 ENGINE	6
ROCKER SHAFT-T4.236 ENGINE	7
TIMING GEAR AND CAMSHAFT-T4.236 ENGINE	8
FUEL INJECTION EQUIPMENT-T4.236 ENGINE	9
BALANCER UNIT-T4.236 ENGINE	10
LUBRICATING OIL SUMP-T4.236 ENGINE	11
LUBRICATING OIL FILTER AND INTEGRAL COOLER-T4.236 ENGINE	12
WATER PUMP, THERMOSTAT AND HEAT EXCHANGER-T4.236 ENGINE	13
FUEL SYSTEM AND FILTER-T4.236 ENGINE	14
TURBOCHARGER-T4.236 ENGINE	15
TURBOCHARGER-T4.236 ENGINE	16
TURBOCHARGER-T4.236 ENGINE	17
JOINTS AND GASKETS-T4.236 ENGINE	18
HEATER KIT-COLD CLIMATE	19
ALTERNATOR-ISKRA TYPE	20
STARTER MOTOR-MARELLI TYPE	21
STARTER MOTOR-ISKRA TYPE	22
COOLING SYSTEM-FAN AND HOSES	23
COOLING SYSTEM-RADIATOR AND BRACKET	24
FUEL SYSTEM	25
FUEL TANK	26
DRY AIR FILTER	27
EXHAUST SYSTEM	28
EXHAUST SYSTEM	29
THROTTLE CONTROLS	30
THROTTLE CONTROLS	31
BATTERY	32
INSTRUMENT PANEL	33
INSTRUMENT PANEL	34
ELECTRONIC HARNESS	35
ELECTRICAL WIRING-FRONT	36
ELECTRICAL WIRING-REAR	37
LIGHTING EQUIPMENT	38
LIGHTING EQUIPMENT	39
CLUTCH-O.M.G. - 12	40
CLUTCH-LUK - 12	41
CLUTCH PEDAL AND LINKAGE	42
LOWER CLUTCH P.T.O.	43
CENTRE AXLE HOUSING AND TRANSMISSION HOUSING	44
CENTRE AXLE HOUSING AND TRANSMISSION HOUSING	45
TRANSMISSION	46
TRANSMISSION	47
SHIFT LEVERS	48
GEAR BOX-FOR SHUTTLE VERSION ONLY.	49
REDUCER OPTION-FOR SHUTTLE VERSION ONLY.	50
GEAR BOX-FOR SHUTTLE VERSION ONLY.	51
GEAR BOX-FOR SPECIAL OPTIONS VERSION ONLY	52
REDUCER OPTION-OVERDRIVE AND SHUTTLE VERSION	53
REDUCER OPTION-OVERDRIVE AND UNDERDRIVE VERSION	54
REDUCER OPTION-OVERDRIVE AND CREEPER VERSION	55
REDUCER OPTION-UNDERDRIVE AND SHUTTLE VERSION	56
REDUCER OPTION-UNDERDRIVE E CREEPER VERSION	57
REDUCER OPTION-SHUTTLE AND CREEPER VERSION	58
PTO SHAFT-540/750/1000 R.P.M.	59
PTO SHAFT-	60
PTO-CONTROL-STANDARD TYPE	61
PTO-CONTROL-540/750/1000 R.P.M.	62
TRANSFER GEAR BOX AND DRIVE SHAFT:	63
4 WHEEL DRIVE CONTROLS	64
REAR AXLE	65
REAR AXLE	66

TABLE OF CONTENT

DIFFERENTIAL LOCK CONTROLS	67
DIFFERENTIAL LOCK CONTROLS	68
BRAKE AND CONTROLS-PEDALS	69
BRAKE AND CONTROLS-PIPINGS	70
BRAKE AND CONTROLS	71
BRAKES	72
MASTER CYLINDER-BRAKE PUMP	73
BRAKE CYLINDER	74
TRAILER BRAKES-FRANCE TYPE	75
TRAILER BRAKES-ITALY TYPE	76
REAR WHEELS	77
FRONT WHEELS	78
FRONT AXLE 2 WHEEL DRIVE	79
FRONT AXLE 4 WHEEL DRIVE	80
FRONT AXLE 4 WHEEL DRIVE-WITH DISCBRAKES	81
FRONT AXLE 4 WHEEL DRIVE	82
FRONT AXLE 4 WHEEL DRIVE	83
FRONT AXLE 4 WHEEL DRIVE	84
STEERING HYDRAULIC LINES	85
STEERING HYDRAULIC LINES	86
STEERING ORBITROL UNIT-2 WHEEL DRIVE	87
STEERING ORBITROL UNIT-4 WHEELS DRIVE	88
STEERING-PUMP-TUROLLA	89
STEERING-PUMP-BOSCH	90
STEERING CYLINDER	91
STEERING CYLINDER	92
HYDRAULIC EQUIPMENT-HIDRAULIC LINES STD.	93
HYDRAULIC EQUIPMENT-SINGLE HYDRAULIC LINES	94
HYDRAULIC EQUIPMENT-SINGLE HYDRAULIC LINES	95
HYDRAULIC PUMP-TUROLLA	96
HYDRAULIC PUMP-BOSCH	97
HYDRAULIC PUMP-TUROLLA	98
HYDRAULIC PUMP-BOSCH	99
HYDRAULIC PUMP-BOSCH	100
HYDRAULIC PUMP-TUROLLA	101
HYDRAULIC LIFT VALVE-WITH MECANICS RISER	102
HYDRAULIC LIFT-WITH MECANICS RISER	103
HYDRAULIC LIFT-WITH ELECTRONIC LIFT	104
HYDRAULIC LIFT	105
ELECTRICAL WIRING-WITH ELECTRONIC LIFT	106
ELECTRICAL WIRING-WITH ELECTRONIC LIFT	107
ELECTRICAL WIRING-CONTROL PANEL ELECTRONIC LIFT	108
HYDRAULIC LIFT VALVE-WITH ELECTRONIC LIFT	109
HYDRAULIC LIFT CYLINDER	110
MECHANICAL CONTROL LIFT	111
MECHANICAL CONTROL LIFT-INTERMIX	112
MECHANICAL CONTROL LIFT	113
AUXILIARY HYDRAULIC VALVE LINES-TILL TYPE	114
AUXILIARY HYDRAULIC VALVE LINES-TILL TYPE	115
AUXILIARY HYDRAULIC VALVE LINES	116
AUXILIARY HYDRAULICS-CONTROL FOR 1.0 DISTRIBUTOR	117
AUXILIARY HYDRAULICS-CONTROL WITH 1.0 AND 2.0 DISTRIBUTOR.	118
AUXILIARY HYDRAULICS-CONTROL FOR 3.0 DISTRIBUTOR TILL	119
AUXILIARY HYDRAULICS VALVE STANDARD-FROM SERIAL N.832127	120
AUXILIARY HYDRAULICS FLOATING-FROM SERIAL N.832127	121
AUXILIARY HYDRAULIC VALVE LINES-WITH 1.0 DISTRIBUTOR	122
AUXILIARY HYDRAULIC VALVE LINES-WITH 2.0 DISTRIBUTORES	123
AUXILIARY HYDRAULIC VALVE LINES-WITH 3.0 DISTRIBUTORES	124
AUXILIARY HYDRAULIC VALVE LINES-WITH 4.0 DISTRIBUTORES	125
AUXILIARY HYDRAULICS-CONTROL WITH 1.0 AND 2.0 DISTRIBUTOR.	126
AUXILIARY HYDRAULICS-CONTROL FOR 3.0 DISTRIBUTOR - HIDROIRMA	127
AUXILIARY HYDRAULICS-CONTROL FOR 4.0 DISTRIBUTOR -HIDROIRMA	128
CONTROL VALVE-HIDROIRMA TYPE FOR REAR CONTROL VALVE	129
CONTROL VALVE-HIDROIRMA TYPE FOR REAR AND FRONT CONTROL VAL	130
AUXILIARY HYDRAULICS VALVE STANDARD-HIDROIRMA TYPE STANDARD	131
AUXILIARY HYDRAULICS VALVE STANDARD-HIDROIRMA TYPE STANDARD	132
AUXILIARY HYDRAULICS FLOATING-HIDROIRMA TYPE FLOATING	133
AUXILIARY HYDRAULICS FLOATING-HIDROIRMA TYPE FLOATING	134

TABLE OF CONTENT

CONTROLS AUXILIARY HYDRAULICS-APPLICATION SUPPLEMENTARY	135
CONTROLS AUXILIARY HYDRAULICS-APPLICATION SUPPLEMENTARY	136
LINKAGE	137
LINKAGE-QUICK ATTACH	138
LINKAGE-QUICK ATTACH	139
LINKAGE-QUICK ATTACH-DETAILS	140
LINKAGE-QUICK ATTACH	141
SHEET METAL	142
SIDE COVER-SHIELD FAN	143
SHEET METAL	144
SHEET METAL	145
SHEET METAL-CLADDING PLATFORM	146
SHEET METAL-CLADDING PLATFORM	147
DECALS	148
DECALS	149
DECALS	150
SUPPORTS PLATFORM	151
SHEET METAL-CLADDING PLATFORM	152
SHEET METAL-CHASSIS AND SUSPENSION	153
FENDERS - FRONT-4 WHEEL DRIVE	154
SEAT	155
SEAT	156
SEAT	157
SEAT	158
DRIVER SEAT	159
TRACTOR CAB	160
TRACTOR CAB-FRONT - WINDSCRENN	161
TRACTOR CAB-LOWER FIXED COMPONENTS	162
TRACTOR CAB	163
TRACTOR CAB-REAR AND BRACKET	164
TRACTOR CAB-LEFT SIDE - RIGHT SIDE	165
TRACTOR CAB-OUTSIDE AND INTERNAL	166
TRACTOR CAB	167
TRACTOR CAB	168
TRACTOR CAB	169
TRACTOR CAB	170
ROTATING LIGHT	171
WEIGHT FRAME AND WEIGHTS W	172
REAR HOOK	173
REAR HOOK-STANDARD TYPE	174
DRAWBAR-HEAVY DUTY	175
REAR HOOK-WITH 6 POSITIONS	176
REAR HOOK	177
FRONT AND REAR HOOK-REAR AND BRACKET	178
HOOK PULL	179
HOOK PULL	180
TOOL KIT	181
SEALERS AND LIQUID GASKETS ADHESIES	182
HEATER KIT-COLD CLIMATE	183
KIT FRONT FENDERS-4 WHEELS DRIVE	184
KIT HOOK PULL	185
KIT HOOK PULL	186
KIT HOOK PULL	187
KIT HOOK PULL	188

**<https://www.ebooklibonline.com>**

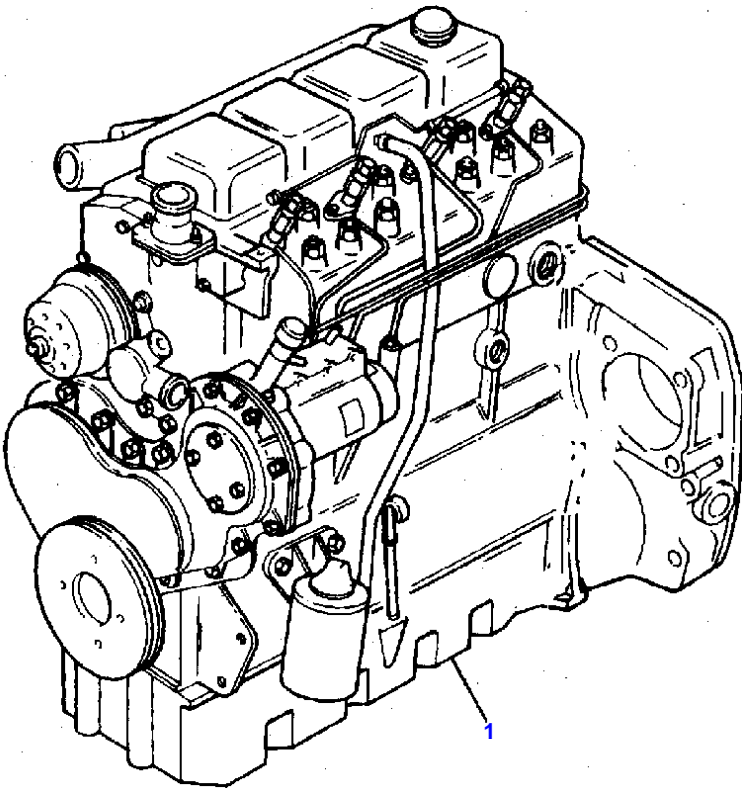
Hello dear friend!

Thank you very much for reading.

Enter the link into your browser.

The full manual is available for immediate download.

**<https://www.ebooklibonline.com>**



MASSEY FERGUSON

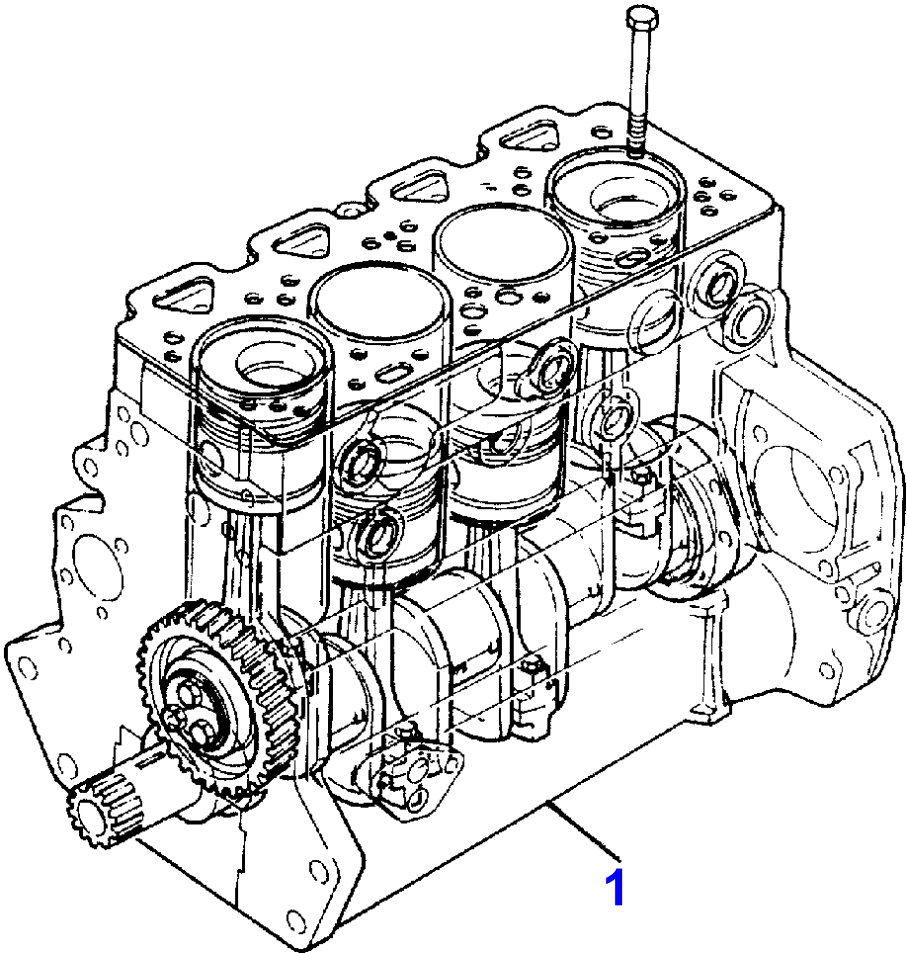
MF 394 T AQ TRACTOR CAB - 3540111

3540111

ENGINE ASSEMBLY-T4.236 ENGINE

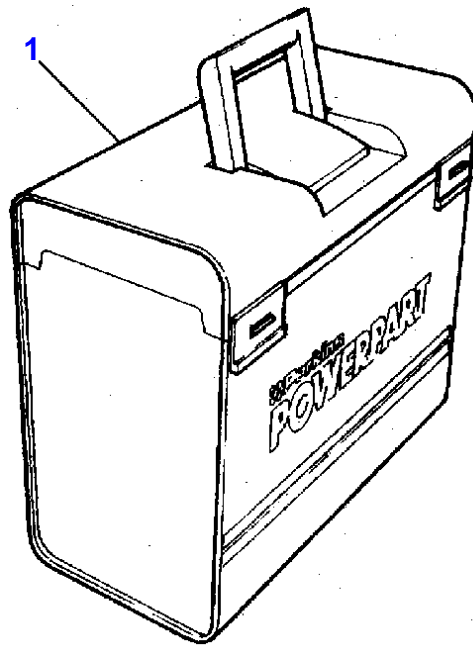
1

Item	Part Number	Qty	Description	Comments
1	3553130M91	1	Engine	"PK-LJ31229"



SHORT ENGINE-T4.236 ENGINE

Item	Part Number	Qty	Description	Comments
1	LJ39305	1	SHORT ENGINE	
2		1		[A] (1)
		4		(1)
		1		(1)
		4		(1)
		4		(1)
		4		(1)
		10		(1)
		8	BUSH	
		4		
		1		(1)
		1	HOUSING	(1)
		22		(1)
		1		(1)
				[A]
				COMPLETE WITH PLUGS



KIT ENGINE OVERHAUL

Item	Part Number	Qty	Description	Comments
1	3540543M91	1	KIT	[A]
2	U5LP0022	4	Kit, Piston	[B] (1)
3	4181A022	4	Kit, Piston Ring	(1)
4	3135X032	4	Liner	[C] (1)
5	33221328	8	Nut	(1)
6	U5LT0175	1	KIT	(1)
7	U5LB0146	1	KIT	(1)
8	2418F436	1	Seal	(1)
9	2418F475	1	Seal	(1)

[B]

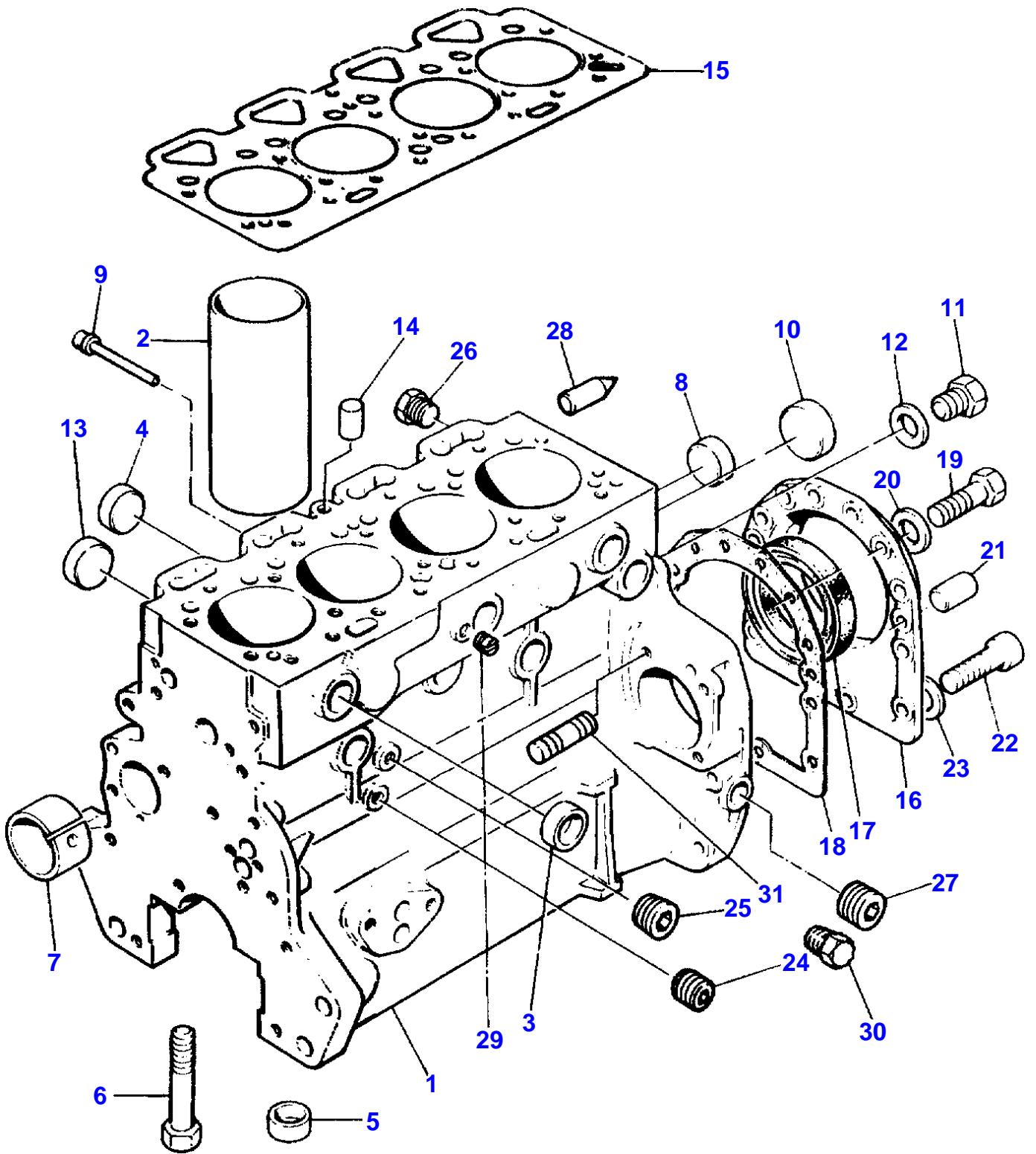
SEE PERKINS SERVICE BULLETIN N. 41

[C]

SEE PERKINS SERVICE BULLETIN N.29 AND N.35

[A]

USED ONLY WHEN LINER 3135X032 IS FITTED



CYLINDER BLOCK-T4.236 ENGINE

Item	Part Number	Qty	Description	Comments
1	ZZ50112	1	Kit,Cyl.Block	
2	3135X031	4	Liner	[A, X] (1) 0. 4. 8
2	3135X032	X	Liner	[B, X] . 4. 4. 8
3	0650710	6	Plug	(1)
4	32418122	4	Plug	(1)
5	33142111	10	Thimble	(1)
6	32166329	10	Bolt	(1)
7	31134165	1	BUSH	(1)
8	0650710	2	Plug	(1)
9	2485A204	1	Plug	(1)
10	32416119	1	PLUG	(1)
11	32168212	1	PLUG	(1)
12	3311R003	1	Washer	(1)
13	32416118	4	PLUG	(1)
14	32417134	1	Plug	(1)
15	3681E034	1	GASKET	[X] . 1. 4. 8
16	4142V066	1	FLANGE	[C]
17	2418F475	1	Seal	[X] (16) . 1. 2. 4
18	3681T018	1	GASKET	
19	0746211	10	Bolt	[D]
	0746211	12	Bolt	[E]
20	390972X1	10	Washer Metric	
	390972X1	12	Washer Metric	[E]
21	0350009	2	Dowel	
22	2172530	2	Capscrew	
23	33112111	2	Washer	
24	0650594	1	Plug	
25	0650588	2	Plug	
26	32161114	1	Plug	
27	0650588	2	Plug	(1)
28	32452113	1	Pointer	
29	32114143	1	Plug	
30	32161114	1	Plug	
31	0826481	3	Stud	

[A]  
PRESS FIT

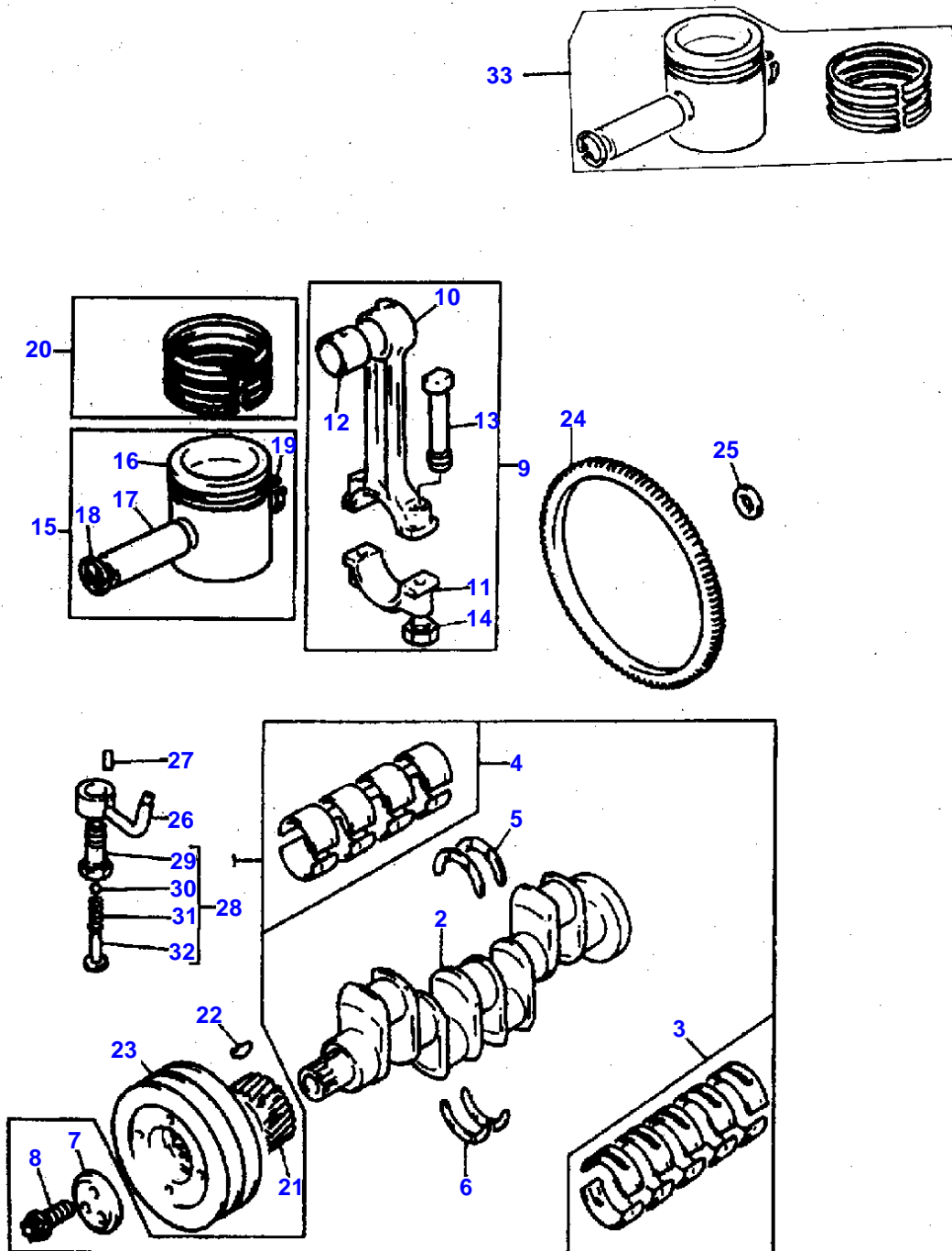
[B]  
SLIP FIT

[X]  
QTY PER TRACTORS SOLD (AA.BBB.CCC.DDD) (AA) FOR 1 ,(BBB) 2-10 (CCC) 11-25 (DDD) 26-50

[C]  
USE 4142V066/36817181/0746211 X 2 0920003 X 2 +362 7P012

[D]  
USED ONLY WITH 4142V064/4142V061

[E]  
USED ONLY WITH 4142V066.

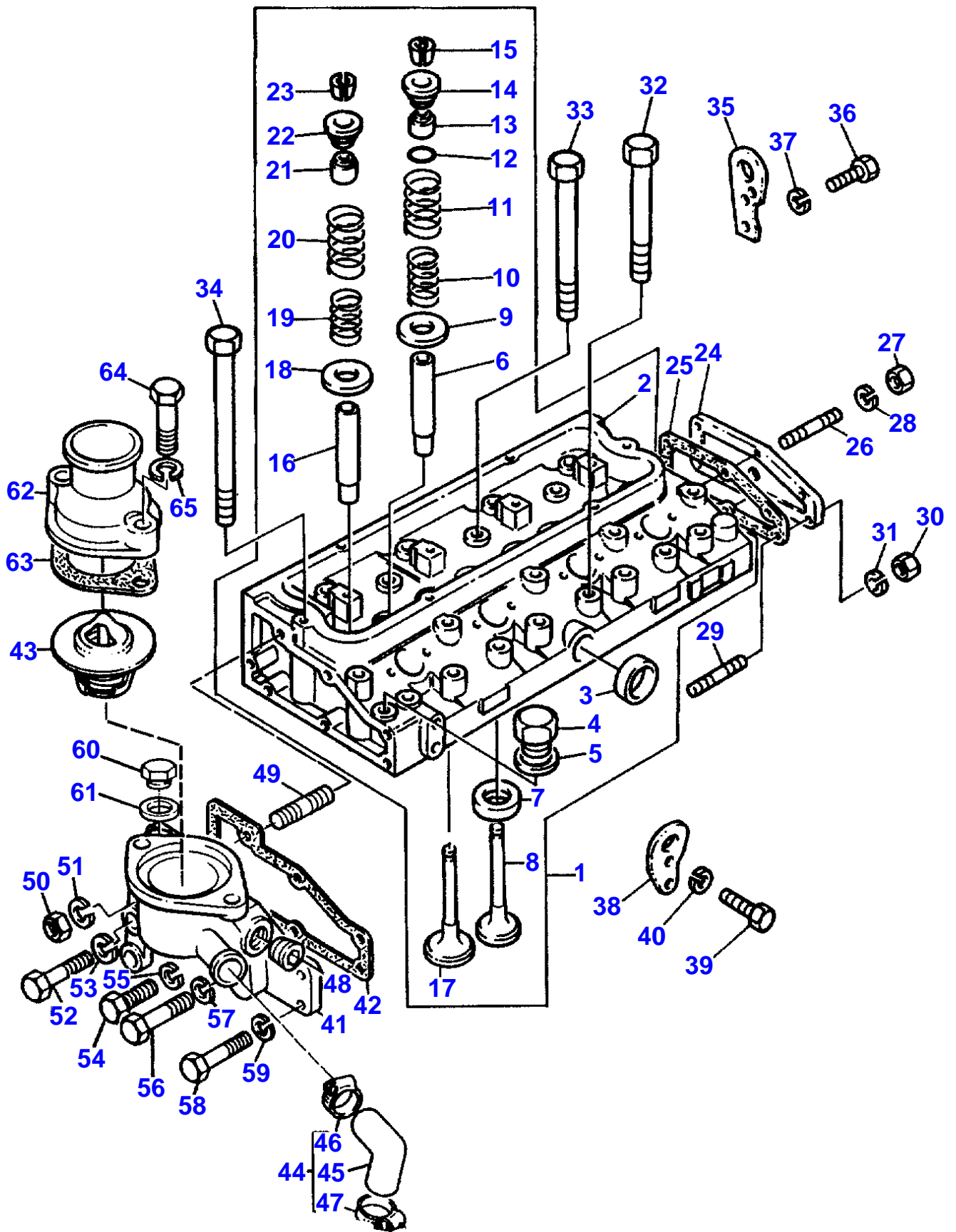


CRANKSHAFT, PISTONS AND CONNECTING RODS-T4.236 ENGINE

Item	Part Number	Qty	Description	Comments
1	ZZ90082P	1	SHAFT	
2		1	SHAFT	(1) Not serviced, order REF.1
3	81558	1	Kit, Bearing	[A, X] (1) . 1. 2. 4
3	81558A	X	Kit, Bearing	[A] Thickness (-)0.25MM Thickness (-)0.010"
3	81558B	X	Kit, Bearing	[A] Thickness (-)0.50MM Thickness (-)0.020"
3	81558C	X	Kit, Bearing	[A] Thickness (-)0.75MM Thickness (-)0.030"
4	85042	1	Kit, Bearing	[A, X] (1) . 1. 2. 4
4	85042A	X	Kit, Bearing	[A] Thickness (-)0.25MM Thickness (-)0.010"
4	85042B	X	Kit, Bearing	[A] Thickness (-)0.50MM Thickness (-)0.020"
4	85042C	X	Kit, Bearing	[A] Thickness (-)0.75MM Thickness (-)0.030"
5	31137551	2	Thrust Washer	[X] (1) . 1. 2. 4
5	31137312	X	Thrust Washer	Thickness (+)0.19MM Thickness (+)0.0075"
6	31137561	2	Thrust Washer	[X] (1) . 1. 2. 4
6	31137322	X	Thrust Washer	Thickness (+)0.19MM Thickness (+)0.0075"
7	3242T001	1	Thrust Block	[N] (1)
	33125124	1	Washer	[M]
8	32186139	3	Screw	[N] (1)
	32162331	1	Screw	[M]
9	ZZ90013	4	Kit, Conrod	[X] . 4. 8. 16
10		1	CONROD	(9) Not serviced, order REF.9
11		1		(9) Not serviced, order REF.9
12	31134131	1	Bush	[X] (9) . 0. 4. 8
13	32762145	2	SCREW	(9)
14	33221328	2	Nut	(9)
15	U5LU0020	4	Kit, Piston	[B, E, K, X] . 4. 8. 16
15	U5LU0028	4	Kit, Piston	[B, E, K]
	U5LP0022	X	Kit, Piston	[C, E, K]
	U5LP0046	X	Kit, Piston	[C, E, K]
	U5LU0004	4	Kit, Piston	[B, D]
	U5LP0006	X	Kit, Piston	[C, D]
16		1	PISTON	(15) Not serviced, order REF.15
17		1		(15) Not serviced, order REF.15
18	2721A029	1	Circlip	(15)
19	2721A029	1	Circlip	(15)
20	41158005	4	Kit, Piston Ring	[D, X] . 4. 8. 16
20	4181A022	4	Kit, Piston Ring	[E, F] Up to Serial or Engine Number U391618U
20	4181A022	4	Kit, Piston Ring	[G, H] From Serial or Engine Number U391619U
21	31171681	1	Gear,Crankshaft	[X] Number of teeth/spines 28 . 1. 2. 4
22	0500012	1	Woodruff Key	

CRANKSHAFT, PISTONS AND CONNECTING RODS-T4.236 ENGINE

Item	Part Number	Qty	Description	Comments
23	31153242	1	Pulley,Crank	
24	3552228M1	1	CROWNWHEEL	Number of teeth/spines 115
25	0921062	3	Tab Washer	
26	3536V001	4	Jet	[J]
27	2116A023	4	Dowel	[L]
28	4138A017	4	Valve	
29		1		(28) Not serviced, order REF.28
30		1		(28) Not serviced, order REF.28
31		1		(28) Not serviced, order REF.28
32		1		(28) Not serviced, order REF.28
33	U5PR0024	4	KIT	[B, K]
33	U5PR0041	4	KIT	[B, K]
33	U5PR0025	4	KIT	[C, K]
33	U5PR0042	4	Kit, Piston	[C, K]
				[A] PRE-FINISHED
				[C] PRE-TOPPED
				[B] UNTOPPED
				[X] QTY PER TRACTORS SOLD (AA.BBB.CCC.DDD) (AA) FOR 1 ,(BBB) 2-10 (CCC) 11-25 (DDD) 26-50
				[F] MAY BE REPLACED BY 4181A022 IN ENGINE SETS ONLY .
				[G] FROM ENGINE NO. U391619U (IN ENGINE SETS ONLY)
				[H] WAS 41158145 USE 4181A022-USE IN ENGINE SETS ONLY .
				[N] USED ONLY WITH CRANKSHAFTS U5BG0022/U5BG0023/U5BG0024/U5BG0025/U5BG0026/ZZ90081/ZZ90082
				[J] WAS 3531P004 USE 3536V001/2116024
				[L] USED ONLY WITH 3536V001
				[D] UP TO ENGINE NO U027773M. SEE ALSO SERVICE BULLETIN NO.21
				[E] FROM ENGINE NO U027774M. SEE ALSO SERVICE BULLETIN NO.21
				[M] USED ONLY WITH CRANKSHAFTS 68609/94434/U5BG0008/U5BG0009/U5BG0019.
				[K] SEE PETERBOROUGH SERVICE BULLETIN NO.41



CYLINDER HEAD-T4.236 ENGINE

Item	Part Number	Qty	Description	Comments
1	ZZ80077P	1	CYLINDER HEAD	[X]
				. 0. 0. 1
2	ZZ80087	1	HEAD	(1)
3	0650710	1	Plug	(2)
4	0650203	1	Plug	(2)
5	2411107	1	Washer	(2)
6	3343J021	4	GUIDE	[K, X] (1)
				. 4. 8. 16
7	33152153	4	Insert	(2)
8	3142A052	4	Valve Exhaust	[X] (1)
				. 4. 8. 16
8	3142A054	X	Valve Exhaust	[J]
				Thickness (+)0,015"
8	3142A055	X	Valve Exhaust	[J]
				Thickness (+)0,030"
9	33123117	4	Washer	[G, X] (1)
				. 0. 4. 8
9	33415118	4	Washer	[H, X] (1)
				. 4. 8. 16
10	31744131	4	Spring	[X] (1)
				. 4. 8. 16
11	31745121	4	Spring	[X] (1)
				. 4. 8. 16
12	2415B201	4	O Ring	[P, X] (1)
				. 4. 8. 16
12		4		[L]
13	33817117	4	Seal	[X] (1)
				. 4. 8. 16
14	33423147	4	Cap	[X] (1)
				Up to Serial or Engine Number U907032K
				. 0. 4. 8
14	33423147	4	Cap	[E, X] (1)
				From Serial or Engine Number U907033K
				. 4. 8. 16
15	33173108	8	Cotter	[A, X] (1)
				. 4. 8. 16
16	3343F041	4	GUIDE	[K, X] (1)
				. 4. 8. 16
17	3142H002	4	Valve Inlet	[X] (1)
				. 4. 8. 16
17	3142H003	X	Valve Inlet	[J]
				Thickness (+)0,003"
17	3142H004	X	Valve Inlet	[J]
				Thickness (+)0,015"
17	3142H005	X	Valve Inlet	[J]
				Thickness (+)0,030"
18	33123117	4	Washer	[G, X] (1)
				. 0. 4. 8
18	33415118	4	Washer	[H] (1)
19	31744131	4	Spring	[X] (1)
				. 0. 4. 8
20	31745121	4	Spring	[X] (1)
				. 0. 4. 8
21	33817117	4	Seal	[X] (1)
				. 0. 4. 8
22	33423147	4	Cap	(1)
				Up to Serial or Engine Number U907032K
22	33423147	4	Cap	[E] (1)
				From Serial or Engine Number U907033K
23	33173108	8	Cotter	[A, X] (1)
				. 0. 4. 8
24	3623K007	1	Plate	
25	3687M018	1	GASKET	
26	0746452	2	Setscrew	Up to Serial or Engine Number 07/88
				Length 25MM
26	2183205	2	Screw	Up to Serial or Engine Number 07/88
	0826244	4	Stud	From Serial or Engine Number 07/88
27	353916X1	4	Nut Unf	From Serial or Engine Number 07/88
28	0920053	4	Washer	

CYLINDER HEAD-T4.236 ENGINE

Item	Part Number	Qty	Description	Comments
29	0826428	2	STUD	From Serial or Engine Number 07/88
30	0576052	2	Nut	From Serial or Engine Number 07/88
31	0920054	2	Washer	
32	32166219	8	Bolt	[B, M]
32	32166337	2	Screw	[N]
33	32166221	12	Bolt	[M]
33	32166338	12	Bolt	[N]
34	32166222	2	Screw	[M]
34	32166339	8	Screw	[N]
35	36177111	1	Plate	
36	353537X1	2	Screw Unf	
37	0920054	2	Washer	
38	3648C004	1	Plate	
39	353537X1	2	Screw Unf	
40	0920054	2	Washer	
41	37766917	1	Therm. Housing	[C]
42	3685F005	1	GASKET	
43	2485613	1	Thermostat	[X] . 2. 4. 16
44	U5MH0023	1	PIPE	
45		1		(44) Not serviced, order REF.44
46	21825197	1	Clip	(44)
47	21825197	1	Clip	(44)
48	2431154	1	Plug	
49	2217178	1	Stud	
50	2188135	1	Nut	
51	0920054	1	Washer	
52	0096438	1	Bolt	
53	0920054	1	Washer	
54	2183205	2	Screw	
55	0920053	2	Washer	
56	0096242	1	Bolt	
57	0920053	1	Washer	
58	0746456	2	SCREW	
59	0920054	2	Washer	
60	0650203	1	Plug	
61	2411157	1	Washer	
62	37464611	1	Connection	
63	36834152	1	GASKET	[X] From Serial or Engine Number U792123H . 2. 4. 16
64	0746424	2	Bolt	
65	0920054	2	Washer	
66	1440314X1	2	Washer	

[A]  
SERVICED IN PAIRS  
[X]  
QTY PER TRACTORS SOLD (AA.BBB.CCC.DDD) (AA) FOR 1 ,(BBB) 2-10 (CCC) 11-25 (DDD) 26-50  
[B]  
6 OFF UP TO ENGINE NO. U874811J  
[J]  
OVERSIZE VALVES CAN ONLY BE USED WIYH CYLINDERHEAD S WHEN VALVE GUIDES ARE N  
[P]  
USED ONLY WITH ZZ80056  
[K]  
USED ONLY WIYH HEADS MACHINED TO ACCOMODATE VALVE GUIDES DE VALVE.  
[L]  
NO LONGER REQUIRED  
[E]  
USED ONLY WITH 31745121  
[G]  
USED ONLY WITH U5BD0026 (CYLINDER HEAD)  
[H]  
USED ONLY WITH ZZ 80056 (CYLINDER HEAD)  
[M]

MASSEY FERGUSON

MF 394 T AQ TRACTOR CAB - 3540111

3540111

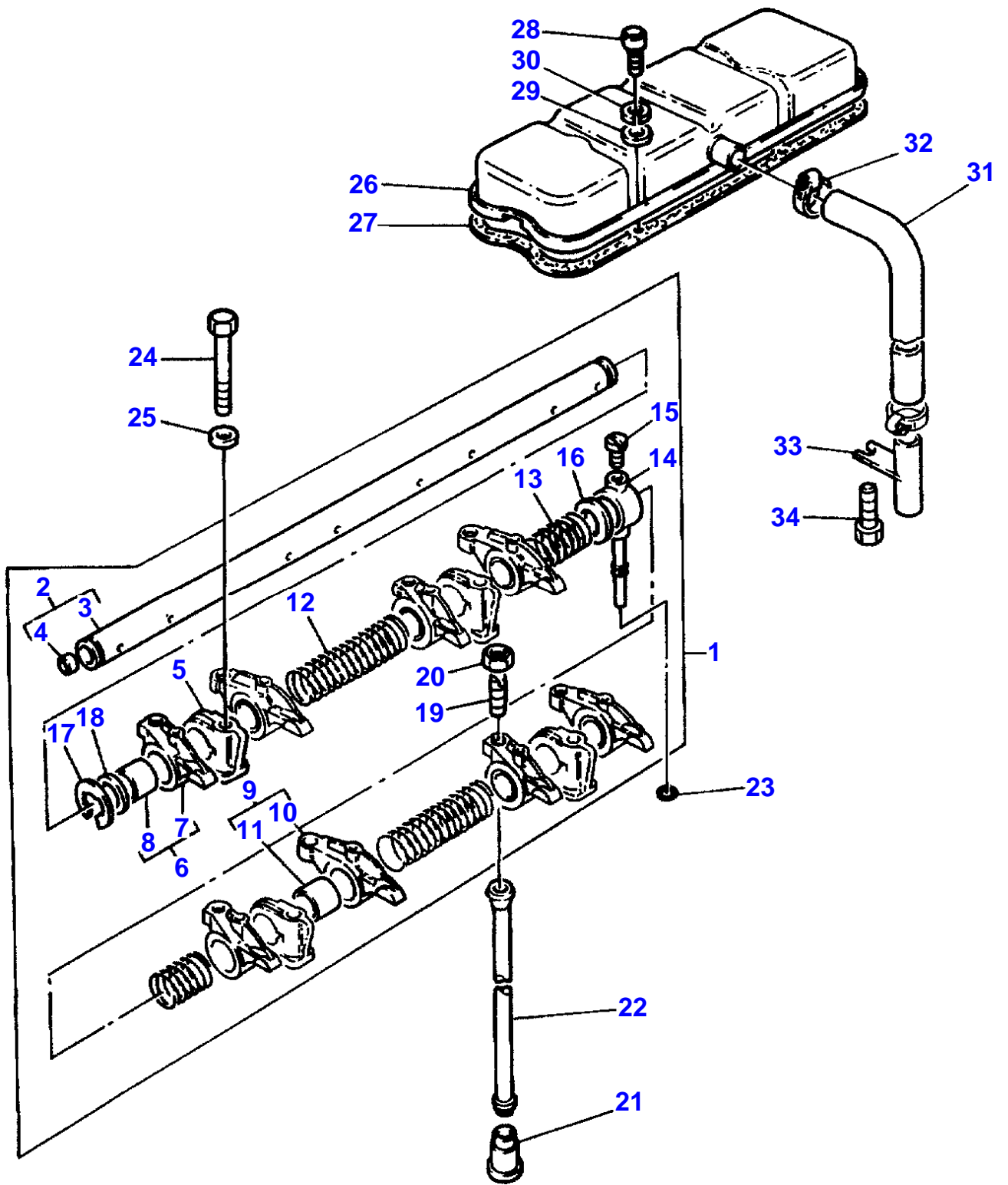
CYLINDER HEAD-T4.236 ENGINE

6

Item Part Number Qty Description

Comments

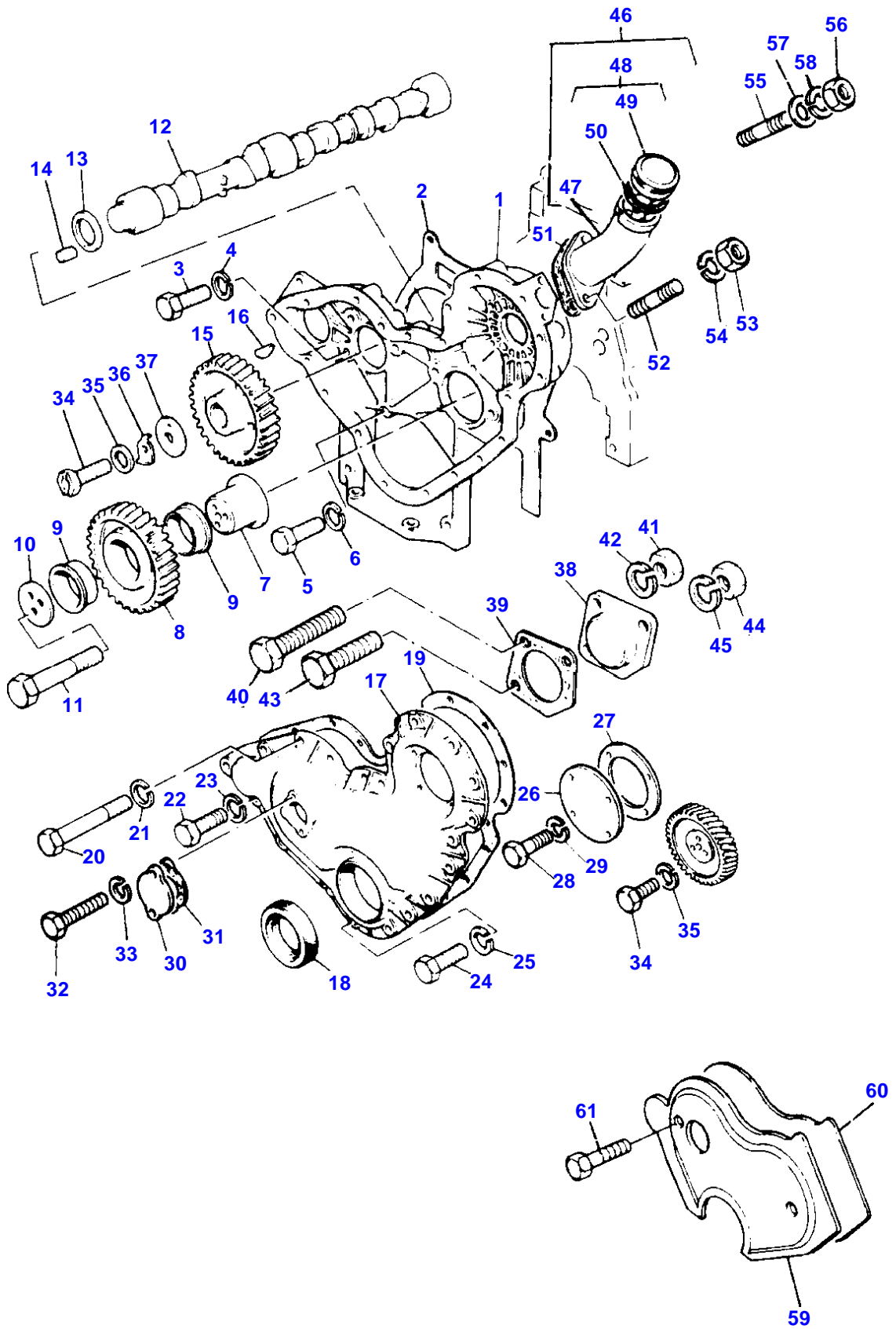
UP TO ENGINE NO U027773M. SEE ALSO SERVICE BULLETIN NO.21  
[N]  
FROM ENGINE NO U027774M. SEE ALSO SERVICE BULLETIN NO.21  
[C]  
WAS 37766916 USE 37766917/ 0746211/ 0330819.



ROCKER SHAFT-T4.236 ENGINE

Item	Part Number	Qty	Description	Comments
1	ZZ90158	1	SHAFT	[X] . 0. 1. 2
2	ZZ90032	1	Rocker Shaft	(1)
3		1	SHAFT	(2) Not serviced, order REF.2
4	0650507	2	Plug	[X] (2) . 0. 2. 4
5	3818X901	4	Bracket	(1)
6	4115R305	4	AXLE	(1) Right Hand
7		1		(6) Not serviced, order REF.6
8	2511425	1	Bush	(6)
9	4115R306	4	ROCKER	(1) Left Hand
10		1	LEVER	(9) Not serviced, order REF.9
11	2511425	1	Bush	(9)
12	31744123	2	Spring	(1)
13	31743108	2	Spring	(1)
14	3775E012	1	Connection	[A] (1)
15	2231236	1	Setscrew	[B] (1)
	2233022	1	Screw	[C]
16	33117426	2	Shim	(1)
17	0170151	2	Circlip	(1)
18	33117434	2	Washer	(1)
19	0720579	8	Screw	(1)
20	0576052	8	Nut	(1)
21	3142U031	8	TAPPET	[X] . 0. 8. 16
22	31434307	8	Pushrod	[X] . 0. 8. 16
23	376525X1	1	Olive	
24	0096634	4	Screw	
25	0920006	4	Washer	
26	37188549	1	Cyl.Head Cover	
27	3681A027	1	Joint	[X] . 1. 2. 6
28	2172513	4	Screw	
29	0920002	4	Washer	
30	0920052	4	Washer	
31	33872516	1	Pipe,Breather	
32	21825195	1	Clip	
33	35731144	1	Pipe,Breather	
34	0096215	1	Screw	Up to Serial or Engine Number U226707S
	2187333	1	Screw	From Serial or Engine Number U226708S
35	390972X1	1	Washer Metric	(34) Up to Serial or Engine Number U226707S
36	0920053	1	Washer	(34) Up to Serial or Engine Number U226707S

[X]  
QTY PER TRACTORS SOLD (AA.BBB.CCC.DDD) (AA) FOR 1 ,(BBB) 2-10 (CCC) 11-25 (DDD) 26-50  
[B]  
USED ONLY WITH 3775E011.  
[C]  
USED OLY WITH 3775E012.  
[A]  
WAS 3775E011 USE 3775E012/2233022.



TIMING GEAR AND CAMSHAFT-T4.236 ENGINE

Item	Part Number	Qty	Description	Comments
1	37161871	1	Timing Case	
2	36811462	1	GASKET	[A, X] . 1. 2. 8
3	2183205	8	Screw	
4	0920053	8	Washer	
5	0746211	1	Bolt	
6	0920053	1	Washer	
7	33426161	1	Hub	
8	4111A013	1	Gear,Idler	Number of teeth/spines 63
9	0050345	2	Bush	(8)
10	3241H009	1	PLATE	
11	0096439	3	Bolt	[A] Up to Serial or Engine Number U083371N
11	2184634	3	Screw	[A] From Serial or Engine Number U083372N
12	31415294	1	Camshaft	[A] Up to Serial or Engine Number U083371N
12	31415382	1	Camshaft	[A] From Serial or Engine Number U083372N
13	33153121	1	Washer	
14	2116053	1	Pin	
15	31171353	1	Gear,Camshaft	[A] Up to Serial or Engine Number U083371N
15	3117L012	1	GEAR	[A] From Serial or Engine Number U083372N
16	0500012	1	Woodruff Key	
17	4142A077	1	COVER	
18	2418F436	1	Seal	[X] . 1. 2. 8
19	3681P045	1	GASKET	[X] . 1. 2. 8
20	0096238	4	Bolt	
21	0920053	4	Washer	
22	2183205	10	Screw	
23	0920053	10	Washer	
24	2183205	4	Screw	
25	0920053	4	Washer	
26	3241H004	1	Plate	
27	33825427	1	GASKET	
28	2183203	4	Screw	
29	0920053	4	Washer	
30	36171121	1	Plate	
31	36833163	1	GASKET	
32	2183104	2	Screw	
33	0920052	2	Washer	
34	32161217	1	Screw	
35	33115408	1	Washer	
36	31733121	1	Washer	
37	33153128	1	Washer	
	33153157	1	Thrust Washer	[B]
38	37556148	1	Plate	
39	36861466	1	GASKET	
40	0748527	1	SCREW	
41	2238153	1	Nut	
42	0920054	1	Washer	
43	2234041	2	BOLT	
44	2238153	2	Nut	
45	0920054	2	Washer	
46	3546329M1	1	PIPE	Alternative 3578M002
47		1	BODY	(46) Not serviced, order REF.N.46
48		1		(46) Not serviced, order REF.N.46
49		1	PLUG	(48) Not serviced, order REF.N.48
50	24870001	1	Joint	(48)
51	36862199	1	GASKET	
52	2217072	1	Stud	
53	0576002	1	Nut	
54	0920053	1	Washer	

TIMING GEAR AND CAMSHAFT-T4.236 ENGINE

Item	Part Number	Qty	Description	Comments
55	2217072	1	Stud	[C]
56	0576002	1	Nut	[C]
57	390972X1	1	Washer Metric	[C]
58	0920053	1	Washer	[C]
59	3781N008	1	Damper	From Serial or Engine Number U171964P
60	3781N007	1	Shield	From Serial or Engine Number U171964P
61	2152175	2	Screw	From Serial or Engine Number U171964P

[X]

QTY PER TRACTORS SOLD (AA.BBB.CCC.DDD) (AA) FOR 1 ,(BBB) 2-10 (CCC) 11-25 (DDD) 26-50

[C]

ALSO SECURES LUBRICATING OIL COOLER TO WATER PUMP PIPE CLIP

[A]

SEE PERKINS SERVICE BULLETIN NO.29 AND NO.35.

[B]

NOT REQUIRED ON ALL CONDITIONS.MUST REFER TO BULLE TIN NO.29 (RE-ISSUE 1.DATED OCT.86).



**Suggest:**

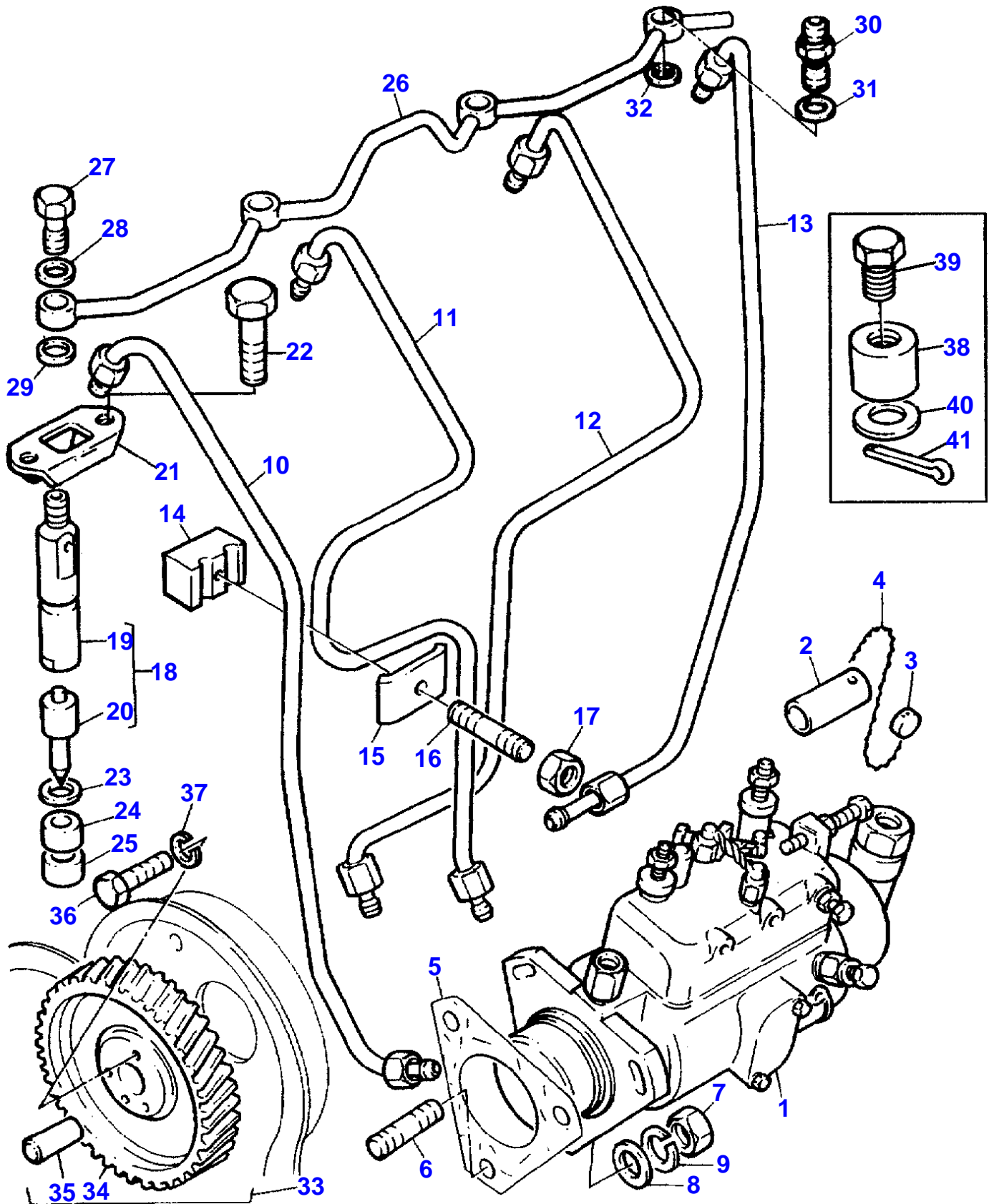
**If the above button click is invalid.**

**Please download this document**

**first, and then click the above link**

**to download the complete manual.**

**Thank you so much for reading**



**<https://www.ebooklibonline.com>**

Hello dear friend!

Thank you very much for reading.

Enter the link into your browser.

The full manual is available for immediate download.

**<https://www.ebooklibonline.com>**