

Page Title	Page Number
ENGINE ASSEMBLY-A4.248 ENGINE	1
SHORT ENGINE-TABLE PK ACEL9308	2
CYLINDER BLOCK-A4.248 ENGINE	3
CRANKSHAFT, PISTONS AND CONNECTING RODS-A4.248 ENGINE	4
CYLINDER HEAD-A4.248 ENGINE	5
ROCKER SHAFT-A4.248 ENGINE	6
TIMING GEAR AND CAMSHAFT-A4.248 ENGINE	7
BALANCER UNIT-A4.248 ENGINE	8
FUEL INJECTION EQUIPMENT-A4.248 ENGINE	9
LUBRICATING OIL SUMP-A4.248 ENGINE	10
LUBRICATING OIL FILTER AND INTEGRAL COOLER-A4.248 ENGINE	11
WATER PUMP, THERMOSTAT AND HEAT EXCHANGER-A4.248 ENGINE	12
FUEL SYSTEM AND FILTER-A4.248 ENGINE	13
AIR INDUCTION AND EXHAUST SYSTEM-A4.248 ENGINE	14
ALTERNATOR POSITIONER-A4.248 ENGINE	15
JOINTS AND GASKETS-A4.248 ENGINE	16
HEATER KIT-COLD CLIMATE	17
ALTERNATOR	18
ALTERNATOR-VALEO TYPE	19
ALTERNATOR-ISKRA TYPE	20
STARTER MOTOR-MARELLI TYPE	21
STARTER MOTOR-BOSCH	22
STARTER MOTOR-ISKRA TYPE	23
COOLING SYSTEM-FAN AND HOSES	24
COOLING SYSTEM-RADIATOR AND BRACKET	25
FUEL SYSTEM	26
FUEL TANK	27
DRY AIR FILTER-DRY AIR CLEANER	28
EXHAUST SYSTEM	29
EXHAUST SYSTEM	30
THROTTLE CONTROLS	31
THROTTLE CONTROLS	32
BATTERY	33
INSTRUMENT PANEL	34
INSTRUMENT PANEL	35
ELECTRONIC HARNESS	36
ELECTRICAL WIRING-FRONT	37
ELECTRICAL WIRING-REAR	38
LIGHTING EQUIPMENT	39
LIGHTING EQUIPMENT	40
CLUTCH-O.M.G. - 11	41
CLUTCH-LUK - 11	42
CLUTCH-O.M.G. - 12	43
CLUTCH-LUK - 12	44
CLUTCH PEDAL AND LINKAGE	45
LOWER CLUTCH P.T.O.	46
CENTRE AXLE HOUSING AND TRANSMISSION HOUSING	47
CENTRE AXLE HOUSING AND TRANSMISSION HOUSING	48
TRANSMISSION	49
TRANSMISSION	50
SHIFT LEVERS	51
GEAR BOX-FOR SHUTTLE VERSION ONLY.	52
REDUCER OPTION-FOR SHUTTLE VERSION ONLY.	53
GEAR BOX-FOR SHUTTLE VERSION ONLY.	54
GEAR BOX-FOR SPECIAL OPTIONS VERSION ONLY	55
REDUCER OPTION-OVERDRIVE AND SHUTTLE VERSION	56
REDUCER OPTION-OVERDRIVE AND UNDERDRIVE VERSION	57
REDUCER OPTION-OVERDRIVE AND CREEPER VERSION	58
REDUCER OPTION-UNDERDRIVE AND SHUTTLE VERSION	59
REDUCER OPTION-UNDERDRIVE E CREEPER VERSION	60
REDUCER OPTION-SHUTTLE AND CREEPER VERSION	61
PTO SHAFT-STANDARD TYPE	62
PTO SHAFT-540/750/1000 R.P.M.	63
PTO-CONTROL-STANDARD TYPE	64
PTO-CONTROL-540/750/1000 R.P.M.	65
TRANSFER GEAR BOX AND DRIVE SHAFT:	66

TABLE OF CONTENT

4 WHEEL DRIVE CONTROLS	67
REAR AXLE	68
REAR AXLE	69
DIFFERENTIAL LOCK CONTROLS	70
DIFFERENTIAL LOCK CONTROLS	71
BRAKE AND CONTROLS-PEDALS	72
BRAKE AND CONTROLS-PIPINGS	73
BRAKE AND CONTROLS	74
BRAKES	75
MASTER CYLINDER-BRAKE PUMP	76
BRAKE CYLINDER	77
TRAILER BRAKES-FRANCE TYPE	78
TRAILER BRAKES-ITALY TYPE	79
REAR WHEELS	80
FRONT WHEELS	81
FRONT AXLE 2 WHEEL DRIVE	82
FRONT AXLE 4 WHEEL DRIVE	83
FRONT AXLE 4 WHEEL DRIVE-WITH DISCBRAKES	84
FRONT AXLE 4 WHEEL DRIVE	85
FRONT AXLE 4 WHEEL DRIVE	86
FRONT AXLE 4 WHEEL DRIVE	87
STEERING HYDRAULIC LINES	88
STEERING HYDRAULIC LINES	89
STEERING ORBITROL UNIT-2 WHEEL DRIVE	90
STEERING ORBITROL UNIT-4 WHEELS DRIVE	91
STEERING-PUMP-TUROLLA	92
STEERING-PUMP-BOSCH	93
STEERING CYLINDER	94
STEERING CYLINDER	95
HYDRAULIC EQUIPMENT-HIDRAULIC LINES STD.	96
HYDRAULIC EQUIPMENT-SINGLE HYDRAULIC LINES	97
HYDRAULIC EQUIPMENT-SINGLE HYDRAULIC LINES	98
HYDRAULIC PUMP-TUROLLA	99
HYDRAULIC PUMP-BOSCH	100
HYDRAULIC PUMP-TUROLLA	101
HYDRAULIC PUMP-BOSCH	102
HYDRAULIC PUMP-BOSCH	103
HYDRAULIC PUMP-TUROLLA	104
HYDRAULIC LIFT VALVE-WITH MECANICS RISER	105
HYDRAULIC LIFT-WITH MECANICS RISER	106
HYDRAULIC LIFT-WITH ELECTRONIC LIFT	107
HYDRAULIC LIFT	108
ELECTRICAL WIRING-WITH ELECTRONIC LIFT	109
ELECTRICAL WIRING-WITH ELECTRONIC LIFT	110
ELECTRICAL WIRING-CONTROL PANEL ELECTRONIC LIFT	111
HYDRAULIC LIFT VALVE-WITH ELECTRONIC LIFT	112
HYDRAULIC LIFT CYLINDER	113
MECHANICAL CONTROL LIFT	114
MECHANICAL CONTROL LIFT-INTERMIX	115
MECHANICAL CONTROL LIFT	116
AUXILIARY HYDRAULIC VALVE LINES-TILL TYPE	117
AUXILIARY HYDRAULIC VALVE LINES-TILL TYPE	118
AUXILIARY HYDRAULIC VALVE LINES	119
AUXILIARY HYDRAULICS-CONTROL FOR 1.0 DDISTRIBUTOR	120
AUXILIARY HYDRAULICS-CONTROL WITH 1.0 AND 2.0 DISTRIBUTOR.	121
AUXILIARY HYDRAULICS-CONTROL FOR 3.0 DDISTRIBUTOR TILL	122
AUXILIARY HYDRAULICS VALVE STANDARD-UP TO SERIAL N.B32126	123
AUXILIARY HYDRAULICS VALVE STANDARD-FROM SERIAL N.B32127	124
AUXILIARY HYDRAULICS FLOATING-UP TO SERIAL N.B32126	125
AUXILIARY HYDRAULICS FLOATING-FROM SERIAL N.B32127	126
AUXILIARY HYDRAULIC VALVE LINES-WITH 1.0 DISTRIBUTOR	127
AUXILIARY HYDRAULIC VALVE LINES-WITH 2.0 DISTRIBUTORES	128
AUXILIARY HYDRAULIC VALVE LINES-WITH 3.0 DISTRIBUTORES	129
AUXILIARY HYDRAULIC VALVE LINES-WITH 4.0 DISTRIBUTORES	130
AUXILIARY HYDRAULICS-CONTROL WITH 1.0 AND 2.0 DISTRIBUTOR.	131
AUXILIARY HYDRAULICS-CONTROL FOR 3.0 DISTRIBUTOR - HIDROIRMA	132
AUXILIARY HYDRAULICS-CONTROL FOR 4.0 DISTRIBUTOR -HIDROIRMA	133
CONTROL VALVE-HIDROIRMA TYPE FOR REAR CONTROL VALVE	134

TABLE OF CONTENT

CONTROL VALVE-HYDROIRMA TYPE FOR REAR AND FRONT CONTROL VAL	135
AUXILIARY HYDRAULICS VALVE STANDARD-HYDROIRMA TYPE STANDARD	136
AUXILIARY HYDRAULICS VALVE STANDARD-HYDROIRMA TYPE STANDARD	137
AUXILIARY HYDRAULICS FLOATING-HYDROIRMA TYPE FLOATING	138
AUXILIARY HYDRAULICS FLOATING-HYDROIRMA TYPE FLOATING	139
CONTROLS AUXILIARY HYDRAULICS-APPLICATION SUPPLEMENTARY	140
CONTROLS AUXILIARY HYDRAULICS-APPLICATION SUPPLEMENTARY	141
LINKAGE	142
LINKAGE-QUICK ATTACH	143
LINKAGE-QUICK ATTACH	144
LINKAGE-QUICK ATTACH-DETAILS	145
LINKAGE-QUICK ATTACH	146
SHEET METAL	147
SIDE COVER-SHIELD FAN	148
SHEET METAL	149
SHEET METAL	150
SHEET METAL-CLADDING PLATFORM	151
SHEET METAL-CLADDING PLATFORM	152
DECALS	153
DECALS	154
DECALS	155
SUPPORTS PLATFORM	156
SHEET METAL-CLADDING PLATFORM	157
SHEET METAL-CHASSIS AND SUSPENSION	158
FENDERS - FRONT-4 WHEEL DRIVE	159
SEAT	160
SEAT	161
SEAT	162
SEAT	163
DRIVER SEAT	164
TRACTOR CAB	165
TRACTOR CAB-FRONT - WINDSCREEN	166
TRACTOR CAB-LOWER FIXED COMPONENTS	167
TRACTOR CAB	168
TRACTOR CAB-REAR AND BRACKET	169
TRACTOR CAB-LEFT SIDE - RIGHT SIDE	170
TRACTOR CAB-OUTSIDE AND INTERNAL	171
TRACTOR CAB	172
TRACTOR CAB	173
TRACTOR CAB	174
TRACTOR CAB	175
ROTATING LIGHT	176
WEIGHT FRAME AND WEIGHTS W	177
REAR HOOK	178
REAR HOOK-STANDARD TYPE	179
DRAWBAR-HEAVY DUTY	180
REAR HOOK-WITH 6 POSITIONS	181
REAR HOOK	182
TOOL KIT	183

<https://www.ebooklibonline.com>

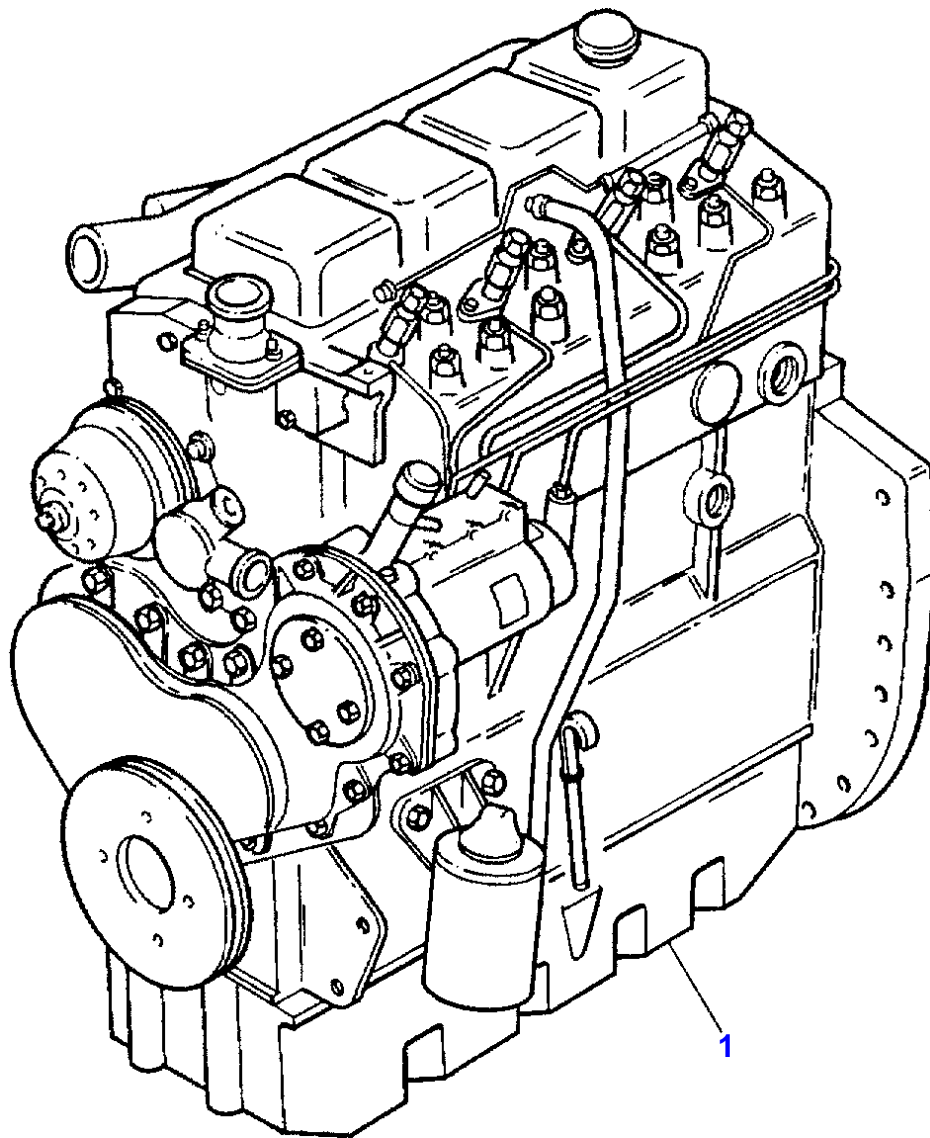
Hello dear friend!

Thank you very much for reading.

Enter the link into your browser.

The full manual is available for immediate download.

<https://www.ebooklibonline.com>



MASSEY FERGUSON

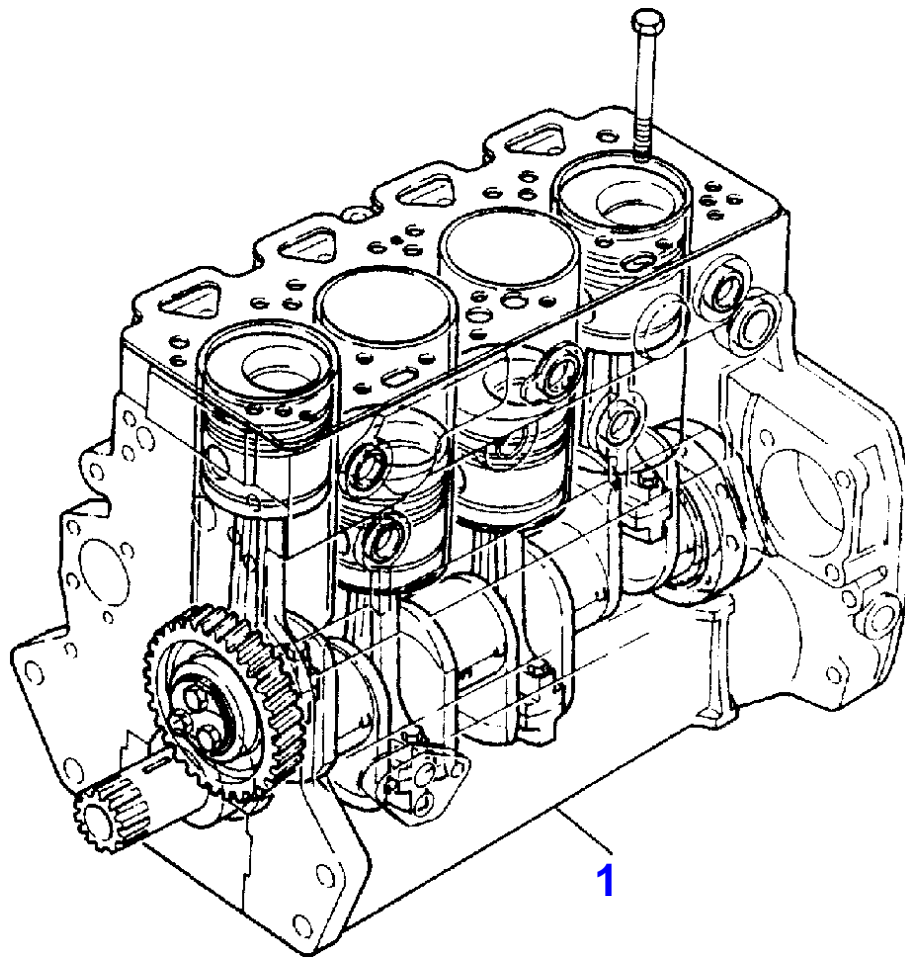
MF 394 FQ CAB TRACTOR, |-> 01/10/93 - 3540106

3540106

ENGINE ASSEMBLY-A4.248 ENGINE

1

Item	Part Number	Qty	Description	Comments
1	3553132M91	1	Engine	"LF31204"



MASSEY FERGUSON

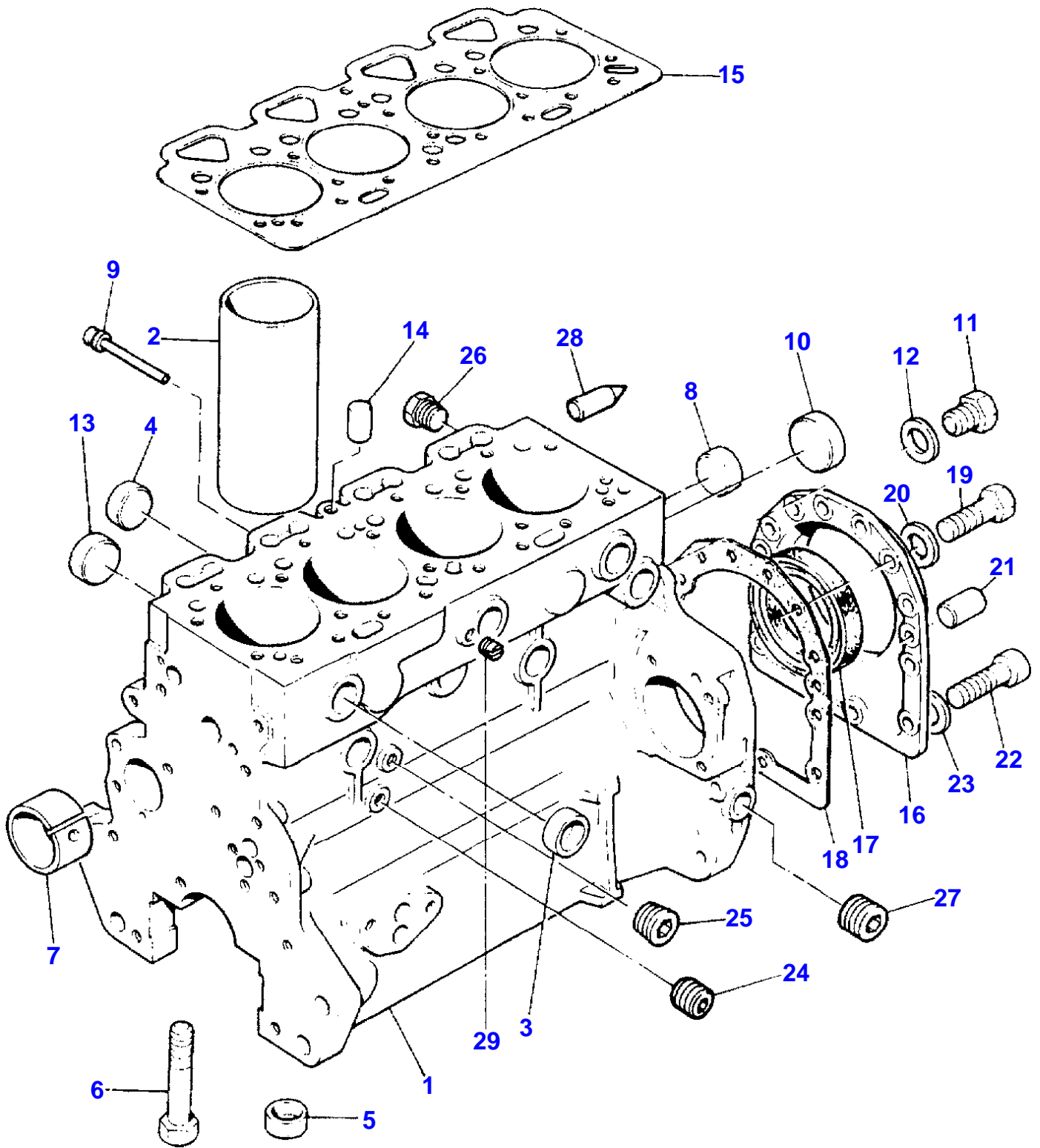
MF 394 FQ CAB TRACTOR, |-> 01/10/93 - 3540106

3540106

SHORT ENGINE-TABLE PK ACEL9308

2

Item	Part Number	Qty	Description	Comments
1	LF39335	1	SHORT ENGINE	
2		1		[A] (1)
		4		(1)
		1		(1)
		4		(1)
		4		(1)
		4		(1)
		10		(1)
		8		(1)
		4		(1)
		1		(1)
		1	HOUSING	(1)
		22		(1)
		1		(1)
				[A]
				COMPLETE WITH PLUGS



CYLINDER BLOCK-A4.248 ENGINE

Item	Part Number	Qty	Description	Comments
				[X] . 1. 2. 4
1	ZZ50227	1	Cylinder Block	
2	3135X033	4	Liner	[A, X] (1) . . 4. 8
2	3135X034	X	Liner	[B, X] . 4. 4. 8
3	0650710	6	Plug	(1)
4	32418122	4	Plug	(1)
5	33142111	10	Thimble	(1)
6	32166329	10	Bolt	(1)
7	31134165	1	BUSH	(1)
8	0650710	2	Plug	(1)
9	2485A204	1	Plug	(1)
10	32416119	1	PLUG	(1)
11	32168212	1	PLUG	(1)
12	3311R003	1	Washer	(1)
13	32416118	4	PLUG	(1)
14	32417134	1	Plug	(1)
15	3681E034	1	GASKET	[X] . 1. 2. 4
16	4142V064	1	Housing	
17	2418F475	1	Seal	[X] (16) . 1. 4. 8
18	3681T012	1	GASKET	
19	0746211	10	Bolt	
20	390972X1	10	Washer Metric	
21	0350009	2	Dowel	
22	2172530	2	Capscrew	
23	33112111	2	Washer	
24	0650594	1	Plug	
25	0650588	2	Plug	
26	32161114	2	Plug	
27	0650588	1	Plug	
28	32452113	1	Pointer	
29	32114143	1	Plug	

[A]

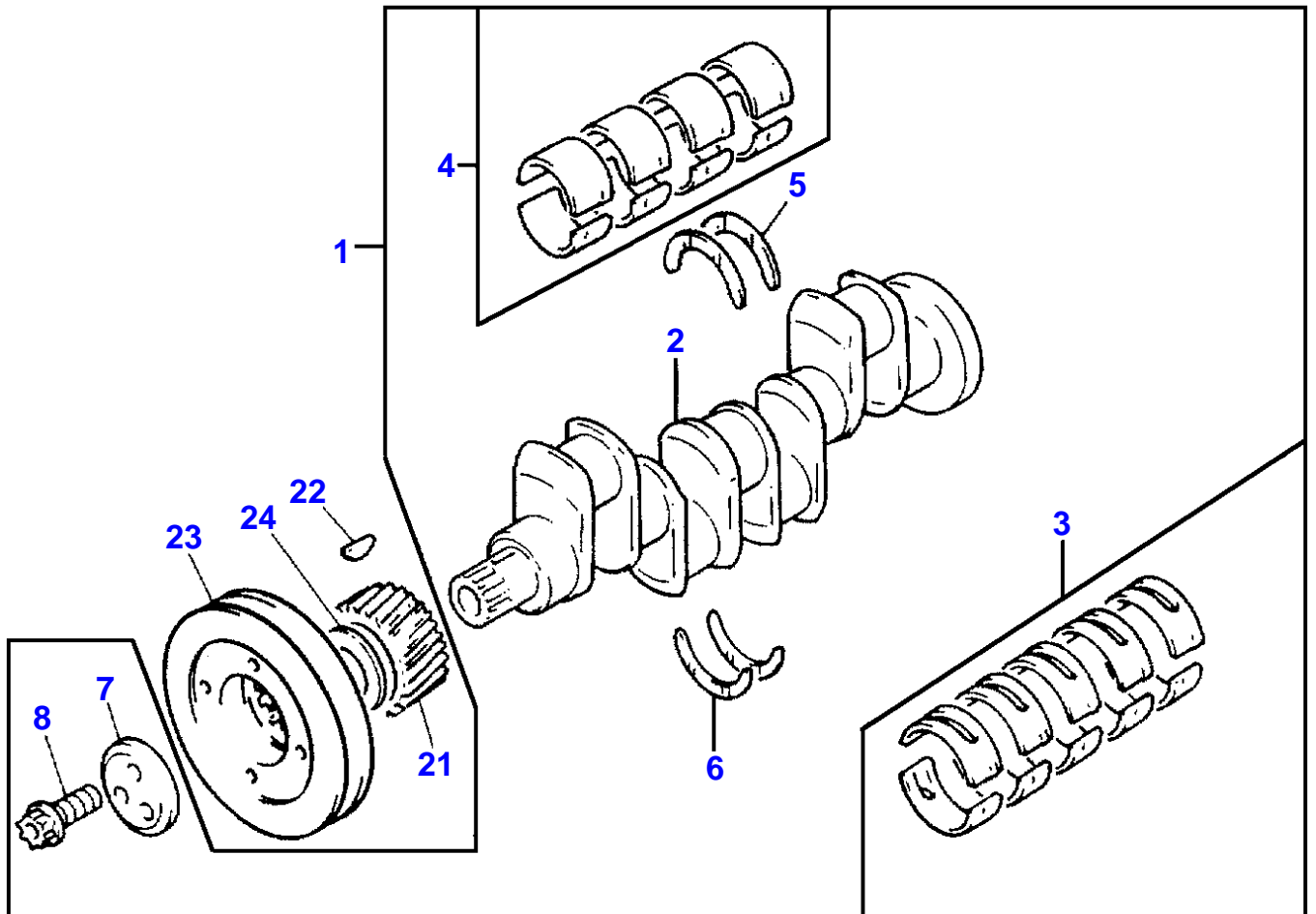
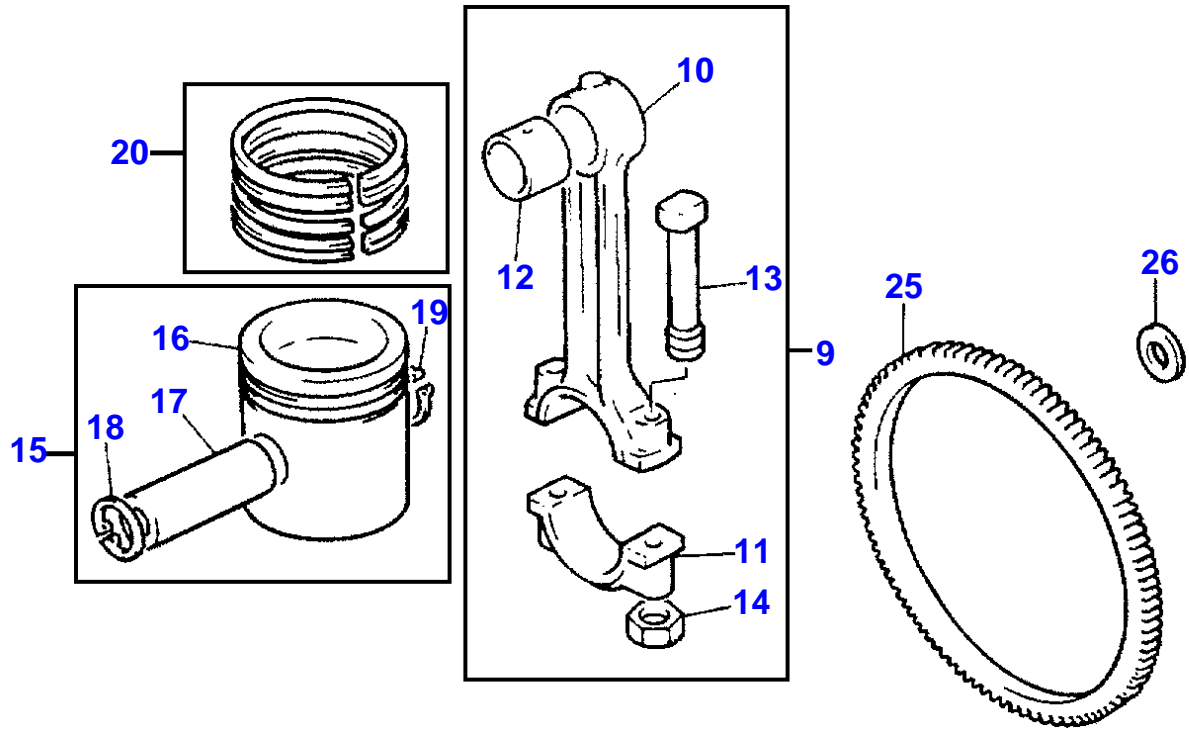
PRESS FIT

[B]

SLIP FIT

[X]

QTY PER TRACTORS SOLD (AA.BBB.CCC.DDD) (AA) FOR 1 ,(BBB) 2-10 (CCC)
11-25 (DDD) 26-50



CRANKSHAFT, PISTONS AND CONNECTING RODS-A4.248 ENGINE

Item	Part Number	Qty	Description	Comments
1	ZZ90081	1	Kit, Crankshaft	[X] . 0. 0. 1
2		1		[X] (1) Not serviced, order REF.1 . 0. 0. 1
3	81558	1	Kit, Bearing	[A, X] (1) . 0. 1. 2
3	81558A	X	Kit, Bearing	[A] Thickness (-)0.25MM Thickness (-)0.010
3	81558B	X	Kit, Bearing	[A] Thickness (-)0.50MM Thickness (-)0.020
3	81558C	X	Kit, Bearing	[A] Thickness (-)0.75MM Thickness (-)0.030
4	85042	1	Kit, Bearing	[A, X] (1) . . 1. 2
4	85042A	X	Kit, Bearing	[A] Thickness (-)0.25MM Thickness (-)0.010
4	85042B	X	Kit, Bearing	[A] Thickness (-)0.50MM Thickness (-)0.020
4	85042C	X	Kit, Bearing	[A] Thickness (-)0.75MM Thickness (-)0.030
5	31137551	2	Thrust Washer	[X] (1) . 0. 2. 4
5	31137312	X	Thrust Washer	Thickness (+)0.19MM Thickness (+)0.0075
6	31137561	2	Thrust Washer	[X] (1) . 0. 2. 4
6	31137322	X	Thrust Washer	Thickness (+)0.19MM Thickness (+)0.0075
7	3242T001	1	Thrust Block	[D]
8	32186139	3	Screw	[D]
9		4		[X] . 0. 4. 8
10		1	CONROD	[X] (9) Not serviced, order REF.9 . 0. 4. 8
11		1		(9) Not serviced, order REF.9
12	31134123	1	Bush	[X] (9) . 0. 4. 8
13	32762144	2	Bolt	[X] (9) . 0. 8. 16
14	33221328	2	Nut	[X] (9) . 0. 8. 16
15	U5LU0005	4	Kit, Piston	[B, X] . 0. 4. 8
15	U5LP0009	4	Kit, Piston	[C]
16		1	PISTON	(15) Not serviced, order REF.15
17		1		(15) Not serviced, order REF.15
18	0170002	1	Circlip	(15)
19	0170002	1	Circlip	(15)
20	41158022	4	Kit, Piston Ring	[X] . 0. 4. 8
21	31171681	1	Gear,Crankshaft	[X] Number of teeth/spines 28 . 1. 2. 4
22	0500012	1	Woodruff Key	
23	31148798	1	Pulley,Crank	
24	33125416	1	Washer	
25	3552228M1	1	CROWNWHEEL	Number of teeth/spines 115
26	33117127	6	Washer	

MASSEY FERGUSON

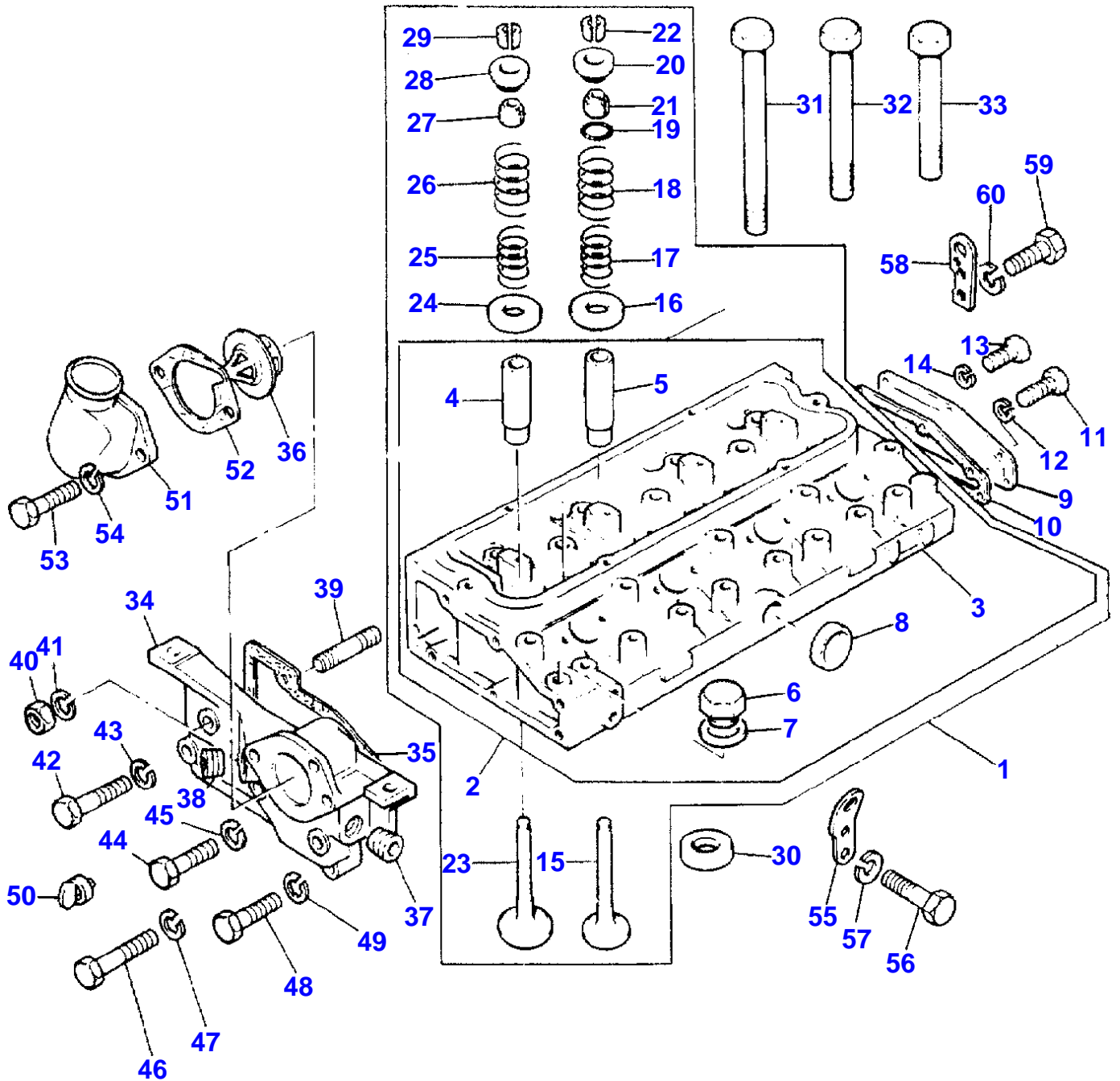
MF 394 FQ CAB TRACTOR, |-> 01/10/93 - 3540106

3540106

CRANKSHAFT, PISTONS AND CONNECTING RODS-A4.248 ENGINE

4

Item	Part Number	Qty	Description	Comments
				[A] PRE-FINISHED
				[C] PRE-TOPPED
				[B] UNTOPPED
				[X] QTY PER TRACTORS SOLD (AA.BBB.CCC.DDD) (AA) FOR 1 ,(BBB) 2-10 (CCC) 11-25 (DDD) 26-50
				[D] NOT SUPPLIED WITH ASSEMBLY



CYLINDER HEAD-A4.248 ENGINE

Item	Part Number	Qty	Description	Comments
1	ZZ80175	1	CYLINDER HEAD	
2	ZZ80176	1	CYLINDER HEAD	[X] (1)
3		1		. 0. 0. 1 (2) Not serviced, order REF.2
4		4		(2)
5	3343J002	4	Guide	. 0. 4. 8 [X] (2) . 0. 4. 8
6	0650203	1	Plug	[X] (2)
7	2411157	1	Washer	(2)
8	0650710	1	Plug	(2)
9	3623K007	1	Plate	
10	3687M018	1	GASKET	
11	0746452	2	Setscrew	
12	0920054	2	Washer	
13	2183205	4	Screw	
14	0920053	4	Washer	
15	31431881	4	Valve Exhaust	[D, X] Alternative 31431886 . 0. 4. 8
15	3142A052	4	Valve Exhaust	[C] (1)
16	33415118	4	Washer	[X] (1) . 4. 8. 16
17	31744131	4	Spring	[X] (1) . 4. 8. 16
18	31745121	4	Spring	[X] (1) . 4. 8. 16
19	2415B201	4	O Ring	[X] (1) . 0. 4. 8
20	33817117	4	Seal	[X] (1) . 0. 4. 8
21	33423147	4	Cap	[X] (1) . 0. 4. 8
22	33173108	8	Cotter	[A, X] (1) . 0. 4. 8
23	31431641	4	Valve Inlet	[X] (1) . 0. 4. 8
24	33415118	4	Washer	[X] (1) . 0. 4. 8
25	31744131	4	Spring	[X] (1) . 0. 4. 8
26	31745121	4	Spring	[X] (1) . 0. 4. 8
27	33817117	4	Seal	[X] (1) . 0. 4. 8
28	33423147	4	Cap	[X] (1) . 0. 4. 8
29	33173108	8	Cotter	[A, X] (1) . 0. 4. 8
30	33152153	4	Insert	[X] . 1. 2. 6
31	32166337	2	Screw	
32	32166338	12	Bolt	
33	32166339	8	Screw	
34	37762705	1	Body	
35	3545576M1	1	BODY	[E]
35	3685F005	1	GASKET	[X] . 2. 4. 8
36	2485659	1	Thermostat	[X] . 1. 2. 6
37	2431154	1	Plug	
38	2431154	1	Plug	
39	2217202	1	Stud	
40	2188135	1	Nut	
41	0920054	1	Washer	
42	0096238	1	Bolt	
43	0920053	1	Washer	

CYLINDER HEAD-A4.248 ENGINE

Item	Part Number	Qty	Description	Comments
44	0096439	1	Bolt	
45	0920054	1	Washer	
46	2183205	2	Screw	
47	0920053	2	Washer	
48	0746459	2	SCREW	
49	0920054	2	Washer	
50	2485791	1	Pin	
51		1		[B]
52	36862225	1	GASKET	[X] . 2. 4. 16
53	0746458	2	SCREW	
54	0920054	2	Washer	
55	3648C004	1	Plate	
56	353537X1	2	Screw Unf	
57	0920054	2	Washer	
58	36177111	1	Plate	
59	353537X1	2	Screw Unf	
60	0920054	2	Washer	

[A]
SERVICED IN PAIRS
[X]
QTY PER TRACTORS SOLD (AA.BBB.CCC.DDD) (AA) FOR 1 ,(BBB) 2-10 (CCC)
11-25 (DDD) 26-50
[E]
WITH CONDITIONED AIR
[C]
REMOVE AND FIT 31431881
[D]
FITTED IN PLACE OF EXHAUST VALVES SUPPLIED WITH CY LINDER HEAD
ASSEMBLY
[B]
NOT SUPPLIED BY PERKINS ENGINES LIMITED.

ROCKER SHAFT-A4.248 ENGINE

Item	Part Number	Qty	Description	Comments
1	ZZ90158	1	SHAFT	[X] . 0. 1. 2
2	ZZ90032	1	Rocker Shaft	[X] (1) . 0. 1. 2
3		1		(2) Not serviced, order REF.2
4	0650507	1	Plug	[X] (1) . 0. 2. 4
5	3818X901	4	Bracket	(1)
6	41151484	4	LEVER	(1) Right Hand
7	41151483	4	LEVER	(1) Left Hand
8	31744123	2	Spring	(1)
9	31743108	2	Spring	(1)
10	3775E012	1	Connection	[B] (1)
11	2231236	1	Setscrew	[C] (1)
	2233022	1	Screw	[D] (1)
12	33117426	2	Shim	(1)
13	0170151	2	Circlip	(1)
14	33117434	2	Washer	(1)
15	0720579	8	Screw	(1)
16	0576052	8	Nut	(1)
17	3142U031	8	TAPPET	[X] . 0. 8. 16
18	31434307	8	Pushrod	[X] . 4. 8. 16
19	376525X1	1	Olive	
20	0096634	4	Screw	
21	0920006	4	Washer	
22	37188141	1	COVER	
23	3681A027	1	Joint	[X] . 1. 2. 6
24	2172513	4	Screw	
25	0920002	4	Washer	
26	0920052	4	Washer	
27	2487845	1	Cap	[X] . 1. 2. 4
28		1		(27) Not serviced, order REF.27
29	24870002	1	Joint	(27)
30	33872516	1	Pipe,Breather	
31	21825195	1	Clip	
32	35731144	1	Pipe,Breather	
33	0096215	1	Screw	Up to Serial or Engine Number U226708S
	2187333	1	Screw	From Serial or Engine Number U226709S
34	390972X1	1	Washer	[A]
			Metric	
35	0920053	1	Washer	[A]

[X]
QTY PER TRACTORS SOLD (AA.BBB.CCC.DDD) (AA) FOR 1 ,(BBB) 2-10 (CCC) 11-25 (DDD) 26-50
[A]
FITTED UP TO ENGINE NUMBER U226708S
[B]
WAS 3775E011 USE 3775E012/2233022.
[C]
USED ONLY WITH 3775E011
[D]
USED ONLY WITH 3775E012

MASSEY FERGUSON

MF 394 FQ CAB TRACTOR, |-> 01/10/93 - 3540106

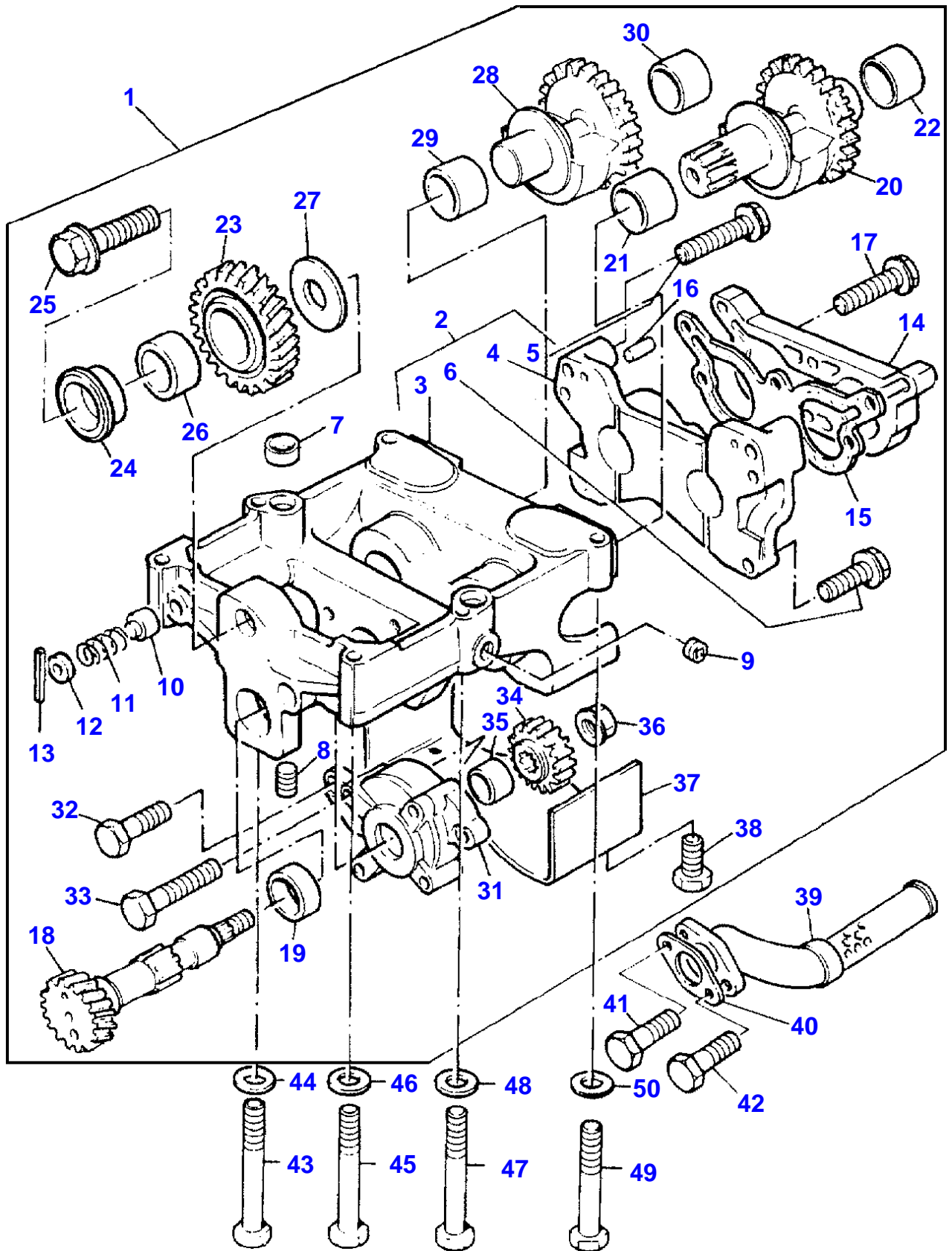
3540106

TIMING GEAR AND CAMSHAFT-A4.248 ENGINE

7

Item	Part Number	Qty	Description	Comments
1	37161642	1	Body	
2	36814162	1	GASKET	[X] .0. 1. 2
3	2183205	8	Screw	
4	0920053	8	Washer	
5	0746211	1	Bolt	
6	0920053	1	Washer	
7	33426161	1	Hub	
8	41115023	1	Idler	Number of teeth/spines 63
9	0050345	2	Bush	(8)
10	3241H009	1	PLATE	
11	2184634	3	Screw	
12	31415374	1	Camshaft	
13	33153121	1	Washer	
14	2116053	1	Pin	
15	3117L012	1	GEAR	Number of teeth/spines 56
16	0500012	1	Woodruff Key	
17	4142A041	1	COVER	
18	2418F436	1	Seal	[X] . 1. 2. 4
19	3681P015	1	GASKET	[X] .0. 1. 2
20	0096238	4	Bolt	
21	0920053	4	Washer	
22	2183205	10	Screw	
23	0920053	10	Washer	
24	2183205	4	Screw	
25	2411152	4	Washer	
26	3241H004	1	Plate	
27	33825427	1	GASKET	
28	2183203	4	Screw	
29	0920053	4	Washer	
30	36171121	1	Plate	
31	36833163	1	GASKET	
32	2183104	2	Screw	
33	0920052	2	Washer	
34	32161217	1	Screw	
35	33115408	1	Washer	
36	31733121	1	Washer	
37	33153128	1	Washer	
38	36235118	1	PLATE	
39	36862199	1	GASKET	
40	2183204	2	Screw	
41	0920053	2	Washer	
42	37556148	1	Plate	
43	36861466	1	GASKET	
44	0748505	1	Screw	
45	2238153	1	Nut	
46	0920054	1	Washer	
47	2232151	2	Screw	
48	2238153	2	Nut	
49	0920054	2	Washer	

[X]
QTY PER TRACTORS SOLD (AA.BBB.CCC.DDD) (AA) FOR 1 ,(BBB) 2-10 (CCC)
11-25 (DDD) 26-50



BALANCER UNIT-A4.248 ENGINE

Item	Part Number	Qty	Description	Comments
1	4111K051	1	Balancer	
	4111K051	1	Balancer	[X] . 0. 0. 1
2	4145L007	1	Frame	(1)
3		1		(2) Not serviced, order REF.2
4		1		(2) Not serviced, order REF.2
5	2315C052	4	Screw	(2)
6	2314J005	2	Screw	(2)
7	33137408	2	Thimble	(1)
8	32558314	1	Plug	(1)
9	2431A054	1	Plug	(1)
10	3272E005	1	Plunger	(1)
11	3174D004	1	Spring	(1)
12	3342A611	1	Cap	(1)
13	2116A056	1	Pin	(1)
14	3753R061	1	Cover	(1)
	3753R221	1	Cover	(1)
15	3687M006	1	Joint	(1)
16	0350042	2	Dowel	(1)
17	2315C052	4	Screw	(1)
18	3117V003	1	Shaft	(1) Number of teeth/spines 21
19	2551A009	1	Bearing Needle	(1)
20	3116K014	1	Weight	(1) Number of teeth/spines 16/38
20		1		[X] . 0. 0. 1
21	2511A730	1	Bush	(1)
	2511A730	1	Bush	[X] (1) . 0. 1. 2
22	2511A730	1	Bush	(1)
23	3117C071	1	Gear,Balancer	(1) Number of teeth/spines 37
24	33451804	1	Hub	(1)
25	2314J606	1	Screw	(1)
26	2551A201	1	Bearing Needle	(1)
27	3321A002	1	Washer	(1)
28	3116K004	1	Weight	(1) Number of teeth/spines 38
28	3116K004	1	Weight	[X] . 0. 1. 2
29	2511A730	1	Bush	(1)
30	2511A730	1	Bush	(1)
31	4132F041	1	Oil Pump	(1) Repairs and replaces 4132F021
31	4132F041	1	Oil Pump	[X] . 0. 1. 2
32	2314H006	1	Screw	(1) Repairs and replaces 2315C059
33	2314H012	2	Screw	(1) Repairs and replaces 2315C053
34	3116W001	1	Gear,Balancer	(1) Number of teeth/spines 24
35	2551A014	1	Bearing Needle	(1)
36	33531136	1	Nut	(1)
37	3661K001	1	Cover	(1)
38	2314C034	4	Screw	(1)
39	3764E031	1	Pipe,Oil	
	3764E031	1	Pipe,Oil	[X] . 0. 2. 4
40	3683L002	1	Joint	
41	2314H006	1	Screw	Repairs and replaces 2315C053
42	2314H012	1	Screw	Repairs and replaces 2315C059
43	0096442	1	Bolt	
44	33115129	1	Washer	

MASSEY FERGUSON

MF 394 FQ CAB TRACTOR, |-> 01/10/93 - 3540106

3540106

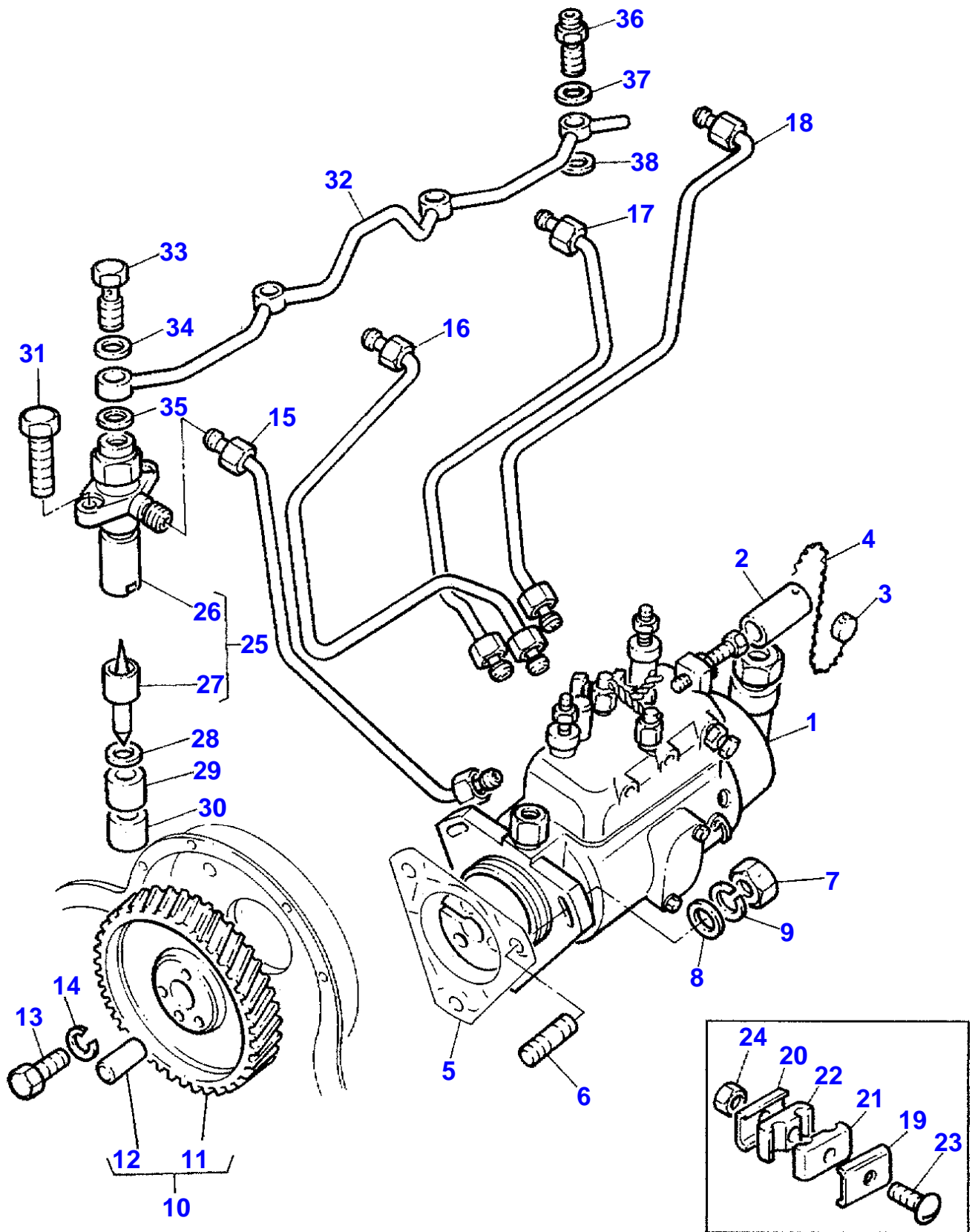
BALANCER UNIT-A4.248 ENGINE

8

Item	Part Number	Qty	Description	Comments
45	0096441	2	Bolt	
46	33115129	2	Washer	
47	0096441	1	Bolt	
48	33115129	1	Washer	
49	0096439	2	Bolt	
50	33115129	2	Washer	

[X]

QTY PER TRACTORS SOLD (AA.BBB.CCC.DDD) (AA) FOR 1 ,(BBB) 2-10 (CCC)
11-25 (DDD) 26-50



FUEL INJECTION EQUIPMENT-A4.248 ENGINE

Item	Part Number	Qty	Description	Comments
1	38367	1	Injection Pump	[A] Up to Serial or Engine Number U226835S
1	2643C279	1	Injection Pump	[A, X] From Serial or Engine Number U226836S . 1. 2. 4
2	3281M002	1	SLEEVE	
3	31718104	1	Seal	
4	31718105	1	Wire	
5	3687H011	1	GASKET	
6	2217139	3	Stud	
7	0576002	3	Nut	
8	390972X1	3	Washer Metric	
9	0920053	3	Washer	
10	41115137	1	Gear,Fuel Pump	Number of teeth/spines 56
11		1		(10) Not serviced, order REF.10
12	0350010	1	Dowel	(10)
13	353517X1	3	Screw Unf	
14	0920053	3	Washer	
15	35343136	1	PIPE	[X] NO.1 CYL. . 0. 1. 2
16	35343137	1	NOZZLE	[X] NO.2 CYL. . 0. 1. 2
17	35343138	1	PIPE	[X] NO.3 CYL. . 0. 1. 2
18	35343139	1	PIPE	[X] NO.4 CYL. . 0. 1. 2
19	733869M1	2	Channel	
20	733869M1	2	Channel	
21	733868M1	2	Clip	
22	733868M1	2	Clip	
23	0726505	2	Setscrew	
24	2211401	2	Nut	
25	2645664	4	Atomiser	[X] . 0. 4. 8
26	2645C305	1	SUPPORT	(25)
27	2645C305	1	SUPPORT	[X] (25) . 8. 16. 16
28	0921173	4	Washer	[X] . 8. 16. 16
29	33813129	4	Spacer	[X] . 4. 8. 16
30	33813131	4	Seal	[X] . 8. 16. 16
31	0746259	8	SCREW	
32	0746259	1	SCREW	[X] . 0. 2. 4
33	0095315	3	Banjo Bolt	
34	0920107	3	Washer	[X] . 0. 8. 16
35	0920107	3	Washer	
36	0201526	1	Union	
37	0920107	1	Washer	[X] . 4. 8. 12
38	0920107	1	Washer	

[A]
COMPONENT PARTS SUPPLIED BY C.A.V. LTD
[X]
QTY PER TRACTORS SOLD (AA.BBB.CCC.DDD) (AA) FOR 1 ,(BBB) 2-10 (CCC)
11-25 (DDD) 26-50



Suggest:

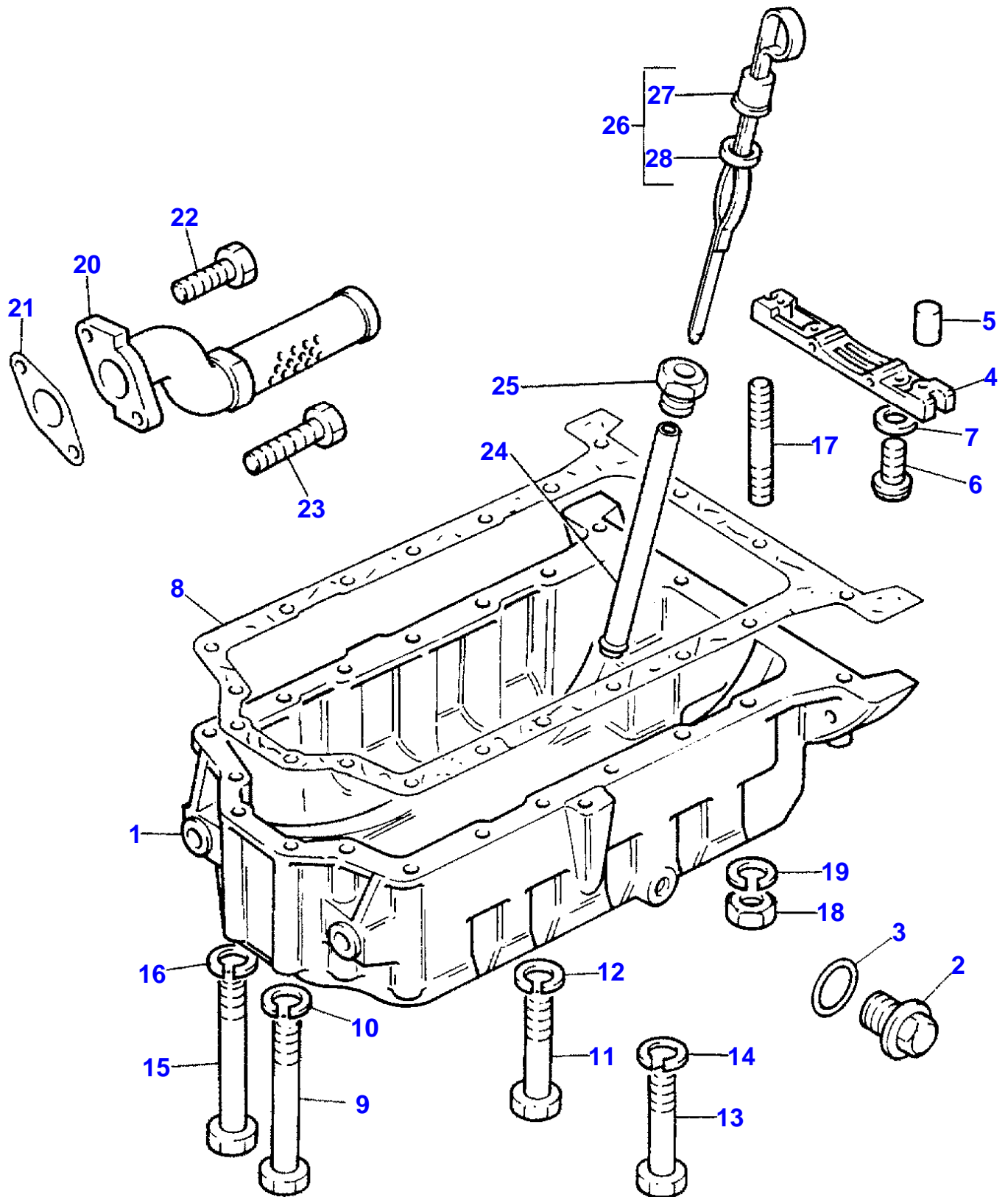
If the above button click is invalid.

Please download this document

first, and then click the above link

to download the complete manual.

Thank you so much for reading



<https://www.ebooklibonline.com>

Hello dear friend!

Thank you very much for reading.

Enter the link into your browser.

The full manual is available for immediate download.

<https://www.ebooklibonline.com>